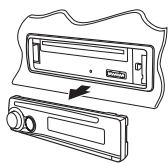
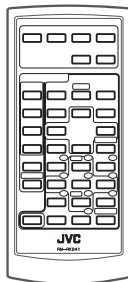


JVC

SERVICE MANUAL

DVD/CD RECEIVER

**KD-ADV5380J, KD-DV5300J, KD-DV5301E, KD-DV5301EU,
 KD-DV5302E, KD-DV5302EU, KD-DV5304UI, KD-DV5305U,
 KD-DV5305UN, KD-DV5305UT, KD-DV5305A, KD-DV5306U,
 KD-DV5306UN, KD-DV5306UT, KD-DV5306A, KD-DV5307EE,
 KD-DV5308EE, KD-DV5388UF, KD-DV4304UI, KD-DV4305U,
 KD-DV4305UN, KD-DV4305UT, KD-DV4305A, KD-DV4306U,
 KD-DV4306UN, KD-DV4306UT, KD-DV4306A, KD-DV4388UF,
 KD-DVH426UN**



WMA

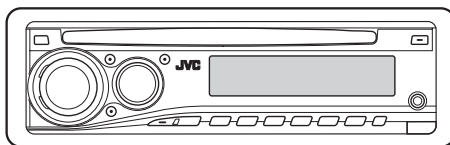
MP3

WAV
except
KD-DVH426

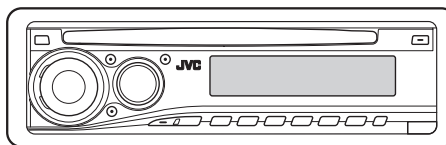


only for
KD-ADV5380
KD-DV5300

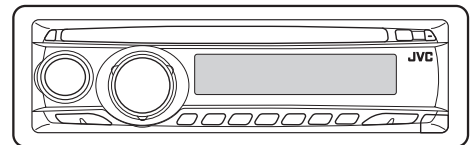
only for
KD-DV5308
KD-DV5307
KD-DV5302
KD-DV5301



KD-ADV5380/KD-DV5300/KD-DV5306
 KD-DV5305/KD-DV5304/KD-DV5303



KD-DV5308/KD-DV5307/KD-DV5302
 KD-DV5301/KD-DV4306/KD-DV4305
 KD-DV4304/KD-DV4303



KD-DVH426

Lead free solder used in the board (material : Sn-Ag-Cu, melting point : 219 Centigrade)
 Lead free solder used in the board (material : Sn-Cu, melting point : 230 Centigrade)

TABLE OF CONTENTS

1	PRECAUTION	1-9
2	SPECIFIC SERVICE INSTRUCTIONS	1-12
3	DISASSEMBLY	1-13
4	ADJUSTMENT	1-34
5	TROUBLESHOOTING	1-40

SPECIFICATION

KD-ADV5380/KD-DV5300

AUDIO AMPLIFIER SECTION			
Power Output		20 W RMS × 4 Channels at 4 Ω and - 1% THD+N	
Signal to Noise Ratio		80 dBA (reference: 1 W into 4 Ω)	
Load Impedance		4 Ω (4 Ω to 8 Ω allowance)	
Tone Control Range	Bass	±12 dB at 100 Hz	
	Treble	±12 dB at 10 kHz	
Audio Output Level	Digital (DIGITAL OUT: Optical)	Signal wave length: 660 nm Output level: -21 dBm to -15 dBm	
	Line-Out Level/Impedance	2.5 V/20 kΩ load (full scale)	
	Output Impedance	1 kΩ	
Color system		NTSC	
Video Output (composite)		1 Vp-p/75 Ω	
Other Terminal		CD changer, AUX (auxiliary) input jack	
TUNER SECTION			
Frequency Range	FM (with channel interval set to 100 kHz or 200 kHz)	87.5 MHz to 107.9 MHz	
	FM (with channel interval set to 50 kHz)	87.5 MHz to 108.0 MHz	
	AM (with channel interval set to 10 kHz)	530 kHz to 1 710 kHz	
	AM (with channel interval set to 9 kHz)	531 kHz to 1 602 kHz	
FM Tuner	Usable Sensitivity	11.3 dBf (1.0 μV/75 Ω)	
	50 dB Quieting Sensitivity	16.3 dBf (1.8 μV/75 Ω)	
	Alternate Channel Selectivity (400 kHz)	65 dB	
	Frequency Response	40 Hz to 15 000 Hz	
	Stereo Separation	35 dB	
AM Tuner	Sensitivity/Selectivity	20 μV/35 dB	
DVD/CD PLAYER SECTION			
Signal Detection System		Non-contact optical pickup (semiconductor laser)	
Number of Channels		2 channels (stereo)	
Frequency Response	DVD, fs=48 kHz/96 kHz	16 Hz to 22 000 Hz	
	CD, fs=44.1 kHz	16 Hz to 20 000 Hz	
Dynamic Range		96 dB	
Signal-to-Noise Ratio		98 dB	
Wow and Flutter		Less than measurable limit	
DivX/MPEG Video	Video	Max. Resolution	720 × 480 pixels (30 fps) 720 × 576 pixels (25 fps)
		Audio	Bit Rate
		Sampling Frequency	DivX: MPEG-1: 32 kHz, 44.1 kHz, 48 kHz DivX: MPEG-2: 16 kHz, 22.05 kHz, 24 kHz MPEG Video: 32 kHz, 44.1 kHz, 48 kHz
MP3	Bit Rate	32 kbps - 320 kbps	
	Sampling Frequency	MPEG-1: 32 kHz, 44.1 kHz, 48 kHz MPEG-2: 16 kHz, 22.05 kHz, 24 kHz	
WMA	Bit Rate	32 kbps - 320 kbps	
	Sampling Frequency	22.05 kHz, 32 kHz, 44.1 kHz, 48 kHz	
WAV	Quantization Bit Rate	16 bit	
	Sampling Frequency	44.1 kHz	
GENERAL			
Power Requirement	Operating Voltage	DC 14.4 V (11 V to 16 V allowance)	
Grounding System		Negative ground	
Allowable Operating Temperature		0°C to +40°C (32°F to 104°F)	
Dimensions (W × H × D)	Installation Size (approx.)	182 mm × 52 mm × 158 mm (7-3/16" × 2-1/16" × 6-1/4")	
	Panel Size (approx.)	187 mm × 58 mm × 13 mm (7-3/8" × 2-5/16" × 9/16")	
Mass (approx.)		1.6 kg (3.6 lbs) (excluding accessories)	

Design and specifications are subject to change without notice.

KD-DV5302/KD-DV5301

AUDIO AMPLIFIER SECTION			
Maximum Power Output	Front/Rear	50 W per channel	
Continuous Power Output (RMS)	Front/Rear	19 W per channel into 4 Ω , 40 Hz to 20 000 Hz at no more than 0.8% total harmonic distortion	
Load Impedance		4 Ω (4 Ω to 8 Ω allowance)	
Tone Control Range	Bass	± 12 dB at 100 Hz	
	Treble	± 12 dB at 10 kHz	
Signal to Noise Ratio		70 dB	
Audio Output Level	Digital (DIGITAL OUT: Optical)	Signal wave length: 660 nm Output level: -21 dBm to -15 dBm	
	Line-Out Level/Impedance	2.5 V/20 k Ω load (full scale)	
	Output Impedance	1 k Ω	
Color system		PAL	
Video Output (composite)		1 Vp-p/75 Ω	
Other Terminal		CD changer, LINE IN, Steering wheel remote input	
TUNER SECTION			
Frequency Range	FM	87.5 MHz to 108.0 MHz	
	AM	(MW) 522 kHz to 1 620 kHz (LW) 144 kHz to 279 kHz	
FM Tuner	Usable Sensitivity	11.3 dBf (1.0 μ V/75 Ω)	
	50 dB Quieting Sensitivity	16.3 dBf (1.8 μ V/75 Ω)	
	Alternate Channel Selectivity (400 kHz)	65 dB	
	Frequency Response	40 Hz to 15 000 Hz	
	Stereo Separation	30 dB	
MW Tuner	Sensitivity/Selectivity	20 μ V/35 dB	
LW Tuner	Sensitivity	50 μ V	
DVD/CD PLAYER SECTION			
Signal Detection System		Non-contact optical pickup (semiconductor laser)	
Number of Channels		2 channels (stereo)	
Frequency Response	DVD, fs=48 kHz/96 kHz	16 Hz to 22 000 Hz	
	CD, fs=44.1 kHz	16 Hz to 20 000 Hz	
Dynamic Range		96 dB	
Signal-to-Noise Ratio		98 dB	
Wow and Flutter		Less than measurable limit	
DivX/MPEG Video	Video	Max. Resolution	720 \times 480 pixels (30 fps) 720 \times 576 pixels (25 fps)
		Audio	Bit Rate DivX: 32 kbps - 320 kbps MPEG Video: 32 kbps - 320 kbps
		Sampling Frequency	DivX: MPEG-1: 32 kHz, 44.1 kHz, 48 kHz DivX: MPEG-2: 16 kHz, 22.05 kHz, 24 kHz MPEG Video: 32 kHz, 44.1 kHz, 48 kHz
MP3	Bit Rate	32 kbps - 320 kbps	
	Sampling Frequency	MPEG-1: 32 kHz, 44.1 kHz, 48 kHz MPEG-2: 16 kHz, 22.05 kHz, 24 kHz	
WMA	Bit Rate	32 kbps - 320 kbps	
	Sampling Frequency	22.05 kHz, 32 kHz, 44.1 kHz, 48 kHz	
WAV	Quantization Bit Rate	16 bit	
	Sampling Frequency	44.1 kHz	
GENERAL			
Power Requirement	Operating Voltage	DC 14.4 V (11 V to 16 V allowance)	
Grounding System		Negative ground	
Allowable Operating Temperature		0°C to +40°C	
Dimensions (W \times H \times D)	Installation Size (approx.)	182 mm \times 52 mm \times 158 mm	
	Panel Size (approx.)	187 mm \times 58 mm \times 13 mm	
Mass (approx.)		1.6 kg (excluding accessories)	

Design and specifications are subject to change without notice.

KD-DV5304/KD-DV4304

AUDIO AMPLIFIER SECTION			
Maximum Power Output	Front/Rear	50 W per channel	
Continuous Power Output (RMS)	Front/Rear	19 W per channel into 4 Ω , 40 Hz to 20 000 Hz at no more than 0.8% total harmonic distortion	
Load Impedance		4 Ω (4 Ω to 8 Ω allowance)	
Tone Control Range	Bass	± 10 dB at 100 Hz	
	Treble	± 10 dB at 10 kHz	
Signal to Noise Ratio		70 dB	
Audio Output Level	Digital (DIGITAL OUT: Optical)	Signal wave length: 660 nm Output level: -21 dBm to -15 dBm	
	Line-Out Level/Impedance	2.5 V/20 k Ω load (full scale)	
	Output Impedance	1 k Ω	
Color system		PAL/NTSC	
Video Output (composite)		1 Vp-p/75 Ω	
Other Terminal		KD-DV5304 : CD changer, LINE IN, AUX (auxiliary) input jack KD-DV4304 : CD changer	
TUNER SECTION			
Frequency Range	FM	87.5 MHz to 108.0 MHz	
	AM	531 kHz to 1 602 kHz	
FM Tuner	Usable Sensitivity	11.3 dBf (1.0 μ V/75 Ω)	
	50 dB Quieting Sensitivity	16.3 dBf (1.8 μ V/75 Ω)	
	Alternate Channel Selectivity (400 kHz)	65 dB	
	Frequency Response	40 Hz to 15 000 Hz	
	Stereo Separation	30 dB	
AM Tuner	Sensitivity/Selectivity	20 μ V/35 dB	
DVD/CD PLAYER SECTION			
Signal Detection System		Non-contact optical pickup (semiconductor laser)	
Number of Channels		2 channels (stereo)	
Frequency Response	DVD, fs=48 kHz/96 kHz	16 Hz to 22 000 Hz	
	CD, fs=44.1 kHz	16 Hz to 20 000 Hz	
Dynamic Range		96 dB	
Signal-to-Noise Ratio		98 dB	
Wow and Flutter		Less than measurable limit	
DivX/MPEG Video	Video	Max. Resolution	720 \times 480 pixels (30 fps) 720 \times 576 pixels (25 fps)
		Audio	Bit Rate
	Sampling Frequency: DivX		MPEG-1: 32 kHz, 44.1 kHz, 48 kHz MPEG-2: 16 kHz, 22.05 kHz, 24 kHz
	Sampling Frequency: MPEG Video		32 kHz, 44.1 kHz, 48 kHz
MP3	Bit Rate	32 kbps - 320 kbps	
	Sampling Frequency	MPEG-1: 32 kHz, 44.1 kHz, 48 kHz MPEG-2: 16 kHz, 22.05 kHz, 24 kHz	
WMA	Bit Rate	32 kbps - 320 kbps	
	Sampling Frequency	22.05 kHz, 32 kHz, 44.1 kHz, 48 kHz	
WAV	Quantization Bit Rate	16 bit	
	Sampling Frequency	44.1 kHz	
GENERAL			
Power Requirement	Operating Voltage	DC 14.4 V (11 V to 16 V allowance)	
Grounding System		Negative ground	
Allowable Operating Temperature		0°C to +40°C	
Dimensions (W \times H \times D)	Installation Size (approx.)	182 mm \times 52 mm \times 158 mm	
	Panel Size (approx.)	187 mm \times 58 mm \times 13 mm	
Mass (approx.)		1.6 kg (excluding accessories)	

Design and specifications are subject to change without notice.

KD-DV5306/KD-DV5305/KD-DV4306/KD-DV4305

AUDIO AMPLIFIER SECTION			
Maximum Power Output	Front/Rear	50 W per channel	
Continuous Power Output (RMS)	Front/Rear	19 W per channel into 4 Ω , 40 Hz to 20 000 Hz at no more than 0.8% total harmonic distortion	
Load Impedance		4 Ω (4 Ω to 8 Ω allowance)	
Tone Control Range	Bass	± 12 dB at 100 Hz	
	Treble	± 12 dB at 10 kHz	
Signal to Noise Ratio		70 dB	
Audio Output Level	Digital (DIGITAL OUT: Optical)	Signal wave length: 660 nm Output level: -21 dBm to -15 dBm	
	Line-Out Level/Impedance	2.5 V/20 k Ω load (full scale)	
	Output Impedance	1 k Ω	
Color system		PAL/NTSC	
Video Output (composite)		1 Vp-p/75 Ω	
Other Terminal		KD-DV5306/KD-DV5305 : CD changer, LINE IN, AUX (auxiliary) input jack KD-DV4306/KD-DV4305 : CD changer	
TUNER SECTION			
Frequency Range	FM	87.5 MHz to 108.0 MHz	
	AM	531 kHz to 1 602 kHz	
FM Tuner	Usable Sensitivity	11.3 dBf (1.0 μ V/75 Ω)	
	50 dB Quieting Sensitivity	16.3 dBf (1.8 μ V/75 Ω)	
	Alternate Channel Selectivity (400 kHz)	65 dB	
	Frequency Response	40 Hz to 15 000 Hz	
	Stereo Separation	30 dB	
AM Tuner	Sensitivity/Selectivity	20 μ V/35 dB	
DVD/CD PLAYER SECTION			
Signal Detection System		Non-contact optical pickup (semiconductor laser)	
Number of Channels		2 channels (stereo)	
Frequency Response	DVD, fs=48 kHz/96 kHz	16 Hz to 22 000 Hz	
	CD, fs=44.1 kHz	16 Hz to 20 000 Hz	
Dynamic Range		96 dB	
Signal-to-Noise Ratio		98 dB	
Wow and Flutter		Less than measurable limit	
DivX/MPEG Video	Video	Max. Resolution	720 \times 480 pixels (30 fps) 720 \times 576 pixels (25 fps)
		Audio	Bit Rate
	Sampling Frequency: DivX		MPEG-1: 32 kHz, 44.1 kHz, 48 kHz MPEG-2: 16 kHz, 22.05 kHz, 24 kHz
	Sampling Frequency: MPEG Video		32 kHz, 44.1 kHz, 48 kHz
MP3	Bit Rate	32 kbps - 320 kbps	
	Sampling Frequency	MPEG-1: 32 kHz, 44.1 kHz, 48 kHz MPEG-2: 16 kHz, 22.05 kHz, 24 kHz	
WMA	Bit Rate	32 kbps - 320 kbps	
	Sampling Frequency	22.05 kHz, 32 kHz, 44.1 kHz, 48 kHz	
	Quantization Bit Rate	16 bit	
	Sampling Frequency	44.1 kHz	
GENERAL			
Power Requirement	Operating Voltage	DC 14.4 V (11 V to 16 V allowance)	
Grounding System		Negative ground	
Allowable Operating Temperature		0°C to +40°C	
Dimensions (W \times H \times D)	Installation Size (approx.)	182 mm \times 52 mm \times 158 mm	
	Panel Size (approx.)	187 mm \times 58 mm \times 13 mm	
Mass (approx.)		1.6 kg (excluding accessories)	

Design and specifications are subject to change without notice.

KD-DV5308/KD-DV5307

AUDIO AMPLIFIER SECTION			
Maximum Power Output	Front/Rear	50 W per channel	
Continuous Power Output (RMS)	Front/Rear	19 W per channel into 4 Ω , 40 Hz to 20 000 Hz at no more than 0.8% total harmonic distortion	
Load Impedance		4 Ω (4 Ω to 8 Ω allowance)	
Tone Control Range	Bass	± 12 dB at 100 Hz	
	Treble	± 12 dB at 10 kHz	
Signal to Noise Ratio		70 dB	
Audio Output Level	Digital (DIGITAL OUT: Optical)	Signal wave length: 660 nm Output level: -21 dBm to -15 dBm	
	Line-Out Level/Impedance	2.5 V/20 k Ω load (full scale)	
	Output Impedance	1 k Ω	
Color system		PAL	
Video Output (composite)		1 Vp-p/75 Ω	
Other Terminal		CD changer	
TUNER SECTION			
Frequency Range	FM1/FM2	87.5 MHz to 108.0 MHz	
	FM3	65.00 MHz to 74.00 MHz	
	AM	(MW) 522 kHz to 1 620 kHz (LW) 144 kHz to 279 kHz	
FM Tuner	Usable Sensitivity	11.3 dBf (1.0 μ V/75 Ω)	
	50 dB Quieting Sensitivity	16.3 dBf (1.8 μ V/75 Ω)	
	Alternate Channel Selectivity (400 kHz)	65 dB	
	Frequency Response	40 Hz to 15 000 Hz	
	Stereo Separation	30 dB	
MW Tuner	Sensitivity/Selectivity	20 μ V/35 dB	
LW Tuner	Sensitivity	50 μ V	
DVD/CD PLAYER SECTION			
Signal Detection System		Non-contact optical pickup (semiconductor laser)	
Number of Channels		2 channels (stereo)	
Frequency Response	DVD, fs=48 kHz/96 kHz	16 Hz to 22 000 Hz	
	CD, fs=44.1 kHz	16 Hz to 20 000 Hz	
Dynamic Range		96 dB	
Signal-to-Noise Ratio		98 dB	
Wow and Flutter		Less than measurable limit	
DivX/MPEG Video	Video	Max. Resolution	720 \times 480 pixels (30 fps) 720 \times 576 pixels (25 fps)
		Audio	Bit Rate
		Sampling Frequency	DivX: MPEG-1: 32 kHz, 44.1 kHz, 48 kHz DivX: MPEG-2: 16 kHz, 22.05 kHz, 24 kHz MPEG Video: 32 kHz, 44.1 kHz, 48 kHz
MP3	Bit Rate	32 kbps - 320 kbps	
	Sampling Frequency	MPEG-1: 32 kHz, 44.1 kHz, 48 kHz MPEG-2: 16 kHz, 22.05 kHz, 24 kHz	
WMA	Bit Rate	32 kbps - 320 kbps	
	Sampling Frequency	22.05 kHz, 32 kHz, 44.1 kHz, 48 kHz	
WAV	Quantization Bit Rate	16 bit	
	Sampling Frequency	44.1 kHz	
GENERAL			
Power Requirement	Operating Voltage	DC 14.4 V (11 V to 16 V allowance)	
Grounding System		Negative ground	
Allowable Operating Temperature		0°C to +40°C	
Dimensions (W \times H \times D)	Installation Size (approx.)	182 mm \times 52 mm \times 158 mm	
	Panel Size (approx.)	187 mm \times 58 mm \times 13 mm	
Mass (approx.)		1.6 kg (excluding accessories)	

Design and specifications are subject to change without notice.

KD-DV5388/KD-DV4388

AUDIO AMPLIFIER SECTION			
Maximum Power Output	Front/Rear	50 W per channel	
Continuous Power Output (RMS)	Front/Rear	19 W per channel into 4 Ω , 40 Hz to 20 000 Hz at no more than 0.8% total harmonic distortion	
Load Impedance		4 Ω (4 Ω to 8 Ω allowance)	
Tone Control Range	Bass	± 12 dB at 100 Hz	
	Treble	± 12 dB at 10 kHz	
Signal to Noise Ratio		70 dB	
Audio Output Level	Digital (DIGITAL OUT: Optical)	Signal wave length: 660 nm Output level: -21 dBm to -15 dBm	
	Line-Out Level/Impedance	2.5 V/20 k Ω load (full scale)	
	Output Impedance	1 k Ω	
Color system		PAL/NTSC	
Video Output (composite)		1 Vp-p/75 Ω	
Other Terminal		KD-DV5388 : CD changer, LINE IN, AUX (auxiliary) input jack KD-DV4388 : CD changer	
TUNER SECTION			
Frequency Range	FM	87.5 MHz to 108.0 MHz	
	AM	531 kHz to 1 602 kHz	
FM Tuner	Usable Sensitivity	11.3 dBf (1.0 μ V/75 Ω)	
	50 dB Quieting Sensitivity	16.3 dBf (1.8 μ V/75 Ω)	
	Alternate Channel Selectivity (400 kHz)	65 dB	
	Frequency Response	40 Hz to 15 000 Hz	
	Stereo Separation	30 dB	
MW Tuner	Sensitivity/Selectivity	20 μ V/35 dB	
DVD/CD PLAYER SECTION			
Signal Detection System		Non-contact optical pickup (semiconductor laser)	
Number of Channels		2 channels (stereo)	
Frequency Response	DVD, fs=48 kHz/96 kHz	16 Hz to 22 000 Hz	
	CD, fs=44.1 kHz	16 Hz to 20 000 Hz	
Dynamic Range		96 dB	
Signal-to-Noise Ratio		98 dB	
Wow and Flutter		Less than measurable limit	
DivX/MPEG Video	Video	Max. Resolution	720 \times 480 pixels (30 fps) 720 \times 576 pixels (25 fps)
		Audio	Bit Rate
	Sampling Frequency : DivX		MPEG-1: 32 kHz, 44.1 kHz, 48 kHz MPEG-2: 16 kHz, 22.05 kHz, 24 kHz
	Sampling Frequency : MPEG Video		32 kHz, 44.1 kHz, 48 kHz
MP3	Bit Rate	32 kbps - 320 kbps	
	Sampling Frequency	MPEG-1: 32 kHz, 44.1 kHz, 48 kHz MPEG-2: 16 kHz, 22.05 kHz, 24 kHz	
WMA	Bit Rate	32 kbps - 320 kbps	
	Sampling Frequency	22.05 kHz, 32 kHz, 44.1 kHz, 48 kHz	
WAV	Quantization Bit Rate	16 bit	
	Sampling Frequency	44.1 kHz	
GENERAL			
Power Requirement	Operating Voltage	DC 14.4 V (11 V to 16 V allowance)	
Grounding System		Negative ground	
Allowable Operating Temperature		0°C to +40°C	
Dimensions (W \times H \times D)	Installation Size (approx.)	182 mm \times 52 mm \times 158 mm	
	Panel Size (approx.)	187 mm \times 58 mm \times 13 mm	
Mass (approx.)		1.6 kg (excluding accessories)	

Design and specifications are subject to change without notice.


KD-DVH426


AUDIO AMPLIFIER SECTION		
Maximum Power Output	Front/Rear	50 W per channel
Continuous Power Output (RMS)	Front/Rear	19 W per channel into 4 Ω , 40 Hz to 20 000 Hz at no more than 0.8% total harmonic distortion
Load Impedance		4 Ω (4 Ω to 8 Ω allowance)
Tone Control Range	Bass/Treble	± 10 dB at 100 Hz/ ± 10 dB at 10 kHz
Frequency Response		40 Hz to 20 000 Hz
Signal-to-Noise Ratio		70 dB
Audio Output Level	Digital (DIGITAL OUT: Optical)	Signal wave length: 660 nm Output level: -21 dBm to -15 dBm
	Line-Out Level/Impedance	2.0 V/20 k Ω load (full scale)
	Output Impedance	1 k Ω
Color System		PAL/NTSC
Video Output (composite)		1 Vp-p/75 Ω
Other Terminal		CD changer
TUNER SECTION		
Frequency Range	FM	87.5 MHz to 108.0 MHz
	AM	531 kHz to 1 602 kHz
FM Tuner	Usable Sensitivity	11.3 dBf (1.0 μ V/75 Ω)
	50 dB Quieting Sensitivity	16.3 dBf (1.8 μ V/75 Ω)
	Alternate Channel Selectivity (400 kHz)	65 dB
	Frequency Response	40 Hz to 15 000 Hz
	Stereo Separation	30 dB
AM Tuner	Sensitivity/Selectivity	20 μ V/35 dB
DVD/CD PLAYER SECTION		
Signal Detection System		Non-contact optical pickup (semiconductor laser)
Number of Channels		2 channels (stereo)
Frequency Response	DVD, fs=48 kHz	16 Hz to 22 000 Hz
	DVD, fs=96 kHz	16 Hz to 44 000 Hz
	VCD/CD/MP3/WMA	16 Hz to 20 000 Hz
Dynamic Range		96 dB
Signal-to-Noise Ratio		98 dB
Wow and Flutter		Less than measurable limit
MP3	Bit Rate	32 kbps - 320 kbps
	Sampling Frequency	48 kHz, 44.1 kHz, 32 kHz
WMA	Bit Rate	32 kbps - 192 kbps
	Sampling Frequency	MPEG-1: 48 kHz, 44.1 kHz, 33 kHz MPEG-2: 24 kHz, 22.05 kHz, 16 kHz
GENERAL		
Power Requirement	Operating Voltage	DC 14.4 V (11 V to 16 V allowance)
Grounding System		Negative ground
Allowable Operating Temperature		0°C to +40°C
Dimensions (W \times H \times D)	Installation Size (approx.)	182 mm \times 52 mm \times 158 mm
	Panel Size (approx.)	188 mm \times 58 mm \times 11 mm
Mass (approx.)		1.6 kg (excluding accessories)

Design and specifications are subject to change without notice.

SECTION 1 PRECAUTION

1.1 Safety Precautions

 **CAUTION** Burrs formed during molding may be left over on some parts of the chassis. Therefore, pay attention to such burrs in the case of performing repair of this system.

 **CAUTION** Please use enough caution not to see the beam directly or touch it in case of an adjustment or operation check.

1.2 Preventing static electricity

Electrostatic discharge (ESD), which occurs when static electricity stored in the body, fabric, etc. is discharged, can destroy the laser diode in the traverse unit (optical pickup). Take care to prevent this when performing repairs.

1.2.1 Grounding to prevent damage by static electricity

Static electricity in the work area can destroy the optical pickup (laser diode) in devices such as laser products.

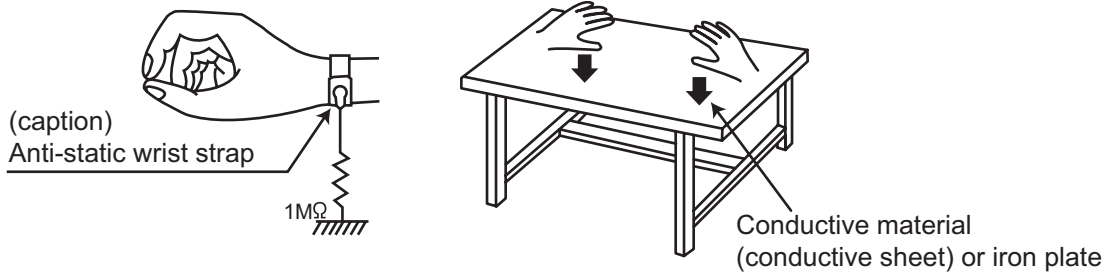
Be careful to use proper grounding in the area where repairs are being performed.

(1) Ground the workbench

Ground the workbench by laying conductive material (such as a conductive sheet) or an iron plate over it before placing the traverse unit (optical pickup) on it.

(2) Ground yourself

Use an anti-static wrist strap to release any static electricity built up in your body.



(3) Handling the optical pickup

- In order to maintain quality during transport and before installation, both sides of the laser diode on the replacement optical pickup are shorted. After replacement, return the shorted parts to their original condition. (Refer to the text.)
- Do not use a tester to check the condition of the laser diode in the optical pickup. The tester's internal power source can easily destroy the laser diode.

1.3 Handling the traverse unit (optical pickup)

(1) Do not subject the traverse unit (optical pickup) to strong shocks, as it is a sensitive, complex unit.

(2) Cut off the shorted part of the flexible cable using nippers, etc. after replacing the optical pickup. For specific details, refer to the replacement procedure in the text. Remove the anti-static pin when replacing the traverse unit. Be careful not to take too long a time when attaching it to the connector.

(3) Handle the flexible cable carefully as it may break when subjected to strong force.

(4) It is not possible to adjust the semi-fixed resistor that adjusts the laser power. Do not turn it.

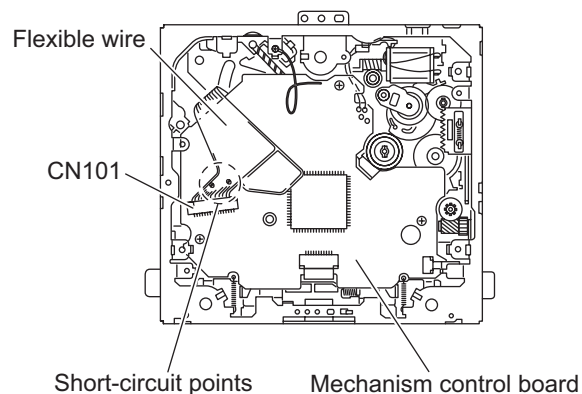
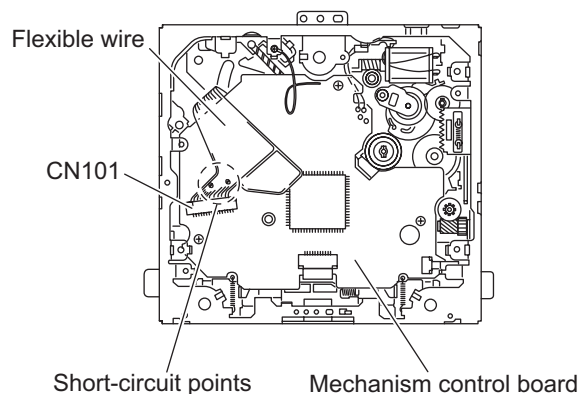
1.4 Attention when traverse unit is decomposed

***Please refer to "Disassembly method" in the text for the pickup unit.**

- Apply solder to the short land before the card wire is disconnected from the connector on the pickup unit. (If the card wire is disconnected without applying solder, the pickup may be destroyed by static electricity.)
- In the assembly, be sure to remove solder from the short land after connecting the card wire.

[except KD-DVH426]

[for KD-DVH426]



1.5 Important for laser products

1. CLASS 1 LASER PRODUCT

2. CAUTION :

(For U.S.A.) Visible and/or invisible class II laser radiation when open. Do not stare into beam.

(Others) Visible and/or invisible class 1M laser radiation when open. Do not view directly with optical instruments.

3. CAUTION : Visible and/or invisible laser radiation when open and inter lock failed or defeated. Avoid direct exposure to beam.

4. CAUTION : This laser product uses visible and/or invisible laser radiation and is equipped with safety switches which prevent emission of radiation when the drawer is open and the safety interlocks have failed or are defeated. It is dangerous to defeat the safety switches.

(For U.S.A.)

CAUTION : Visible and/or invisible class II laser radiation when open. Do not stare into beam.

(Others)

CAUTION : Visible and/or invisible class 1M laser radiation when open. Do not view directly with optical instruments

ACHTUNG: Sichtbare und/oder unsichtbare Laserstrahlung der Klasse 1M bei offenen Abdeckungen. Nicht direkt mit optischen Instrumenten betrachten.

ATTENTION: Rayonnement laser visible et/ou invisible de classe 1M une fois ouvert. Ne pas regarder directement avec des instruments optiques.

VOORZICHTIG: Zichtbare en/of onzichtbare klasse 1M laserstralen indien geopend. Bekijk niet direct met optische instrumenten.

ATTENZIONE: Radiazione laser in classe 1M visibile e/o invisibile quando aperto. Non osservare direttamente con strumenti ottici.

WARNING: Synlig och/eller osynlig laserstrålning, klass 1M, när denna del är öppnad. Betrakta ej strålen med optiska instrument.

VARO! Avattaessa olet alttiina näkyvälle ja/tai näkymättömälle luokan 1M lasersäteilylle. Älä tarkastele sitä optisen laitteen läpi.

ADVARSEL: Synlig og/eller usynlig klasse 1M-laserstråling ved åbning. Se ikke direkte med optiske instrumenter.

AVISO: Radiación láser de clase 1M visible y/o invisible cuando está abierto. No mirar directamente con instrumental óptico.

PRECAUÇÃO: Radiação laser de classe 1M visível e/ou invisível quando aberto. Não olhe diretamente com instrumentos ópticos.

5. CAUTION : If safety switches malfunction, the laser is able to function.

6. CAUTION : Use of controls, adjustments or performance of procedures other than those specified here in may result in hazardous radiation exposure.



CAUTION Please use enough caution not to see the beam directly or touch it in case of an adjustment or operation check.

PRECAUÇÃO: Radiação laser de classe 1M visível e/ou invisível quando aberto. Não olhe diretamente com instrumentos ópticos.

ПРЕДУПРЕЖДЕНИЕ: В открытом состоянии происходит видимое и/или невидимое излучение лазера класса 1M. Не смотрите непосредственно в оптические инструменты.

UWAGA: Otwarcie spowoduje narażenie na widzialne i/lub niewidzialne promieniowanie lasera klasy 1M. Nie patrzeć bezpośrednio w przyrządy optyczne.

UPOZORNĚNÍ: Při otevření vydává viditelné popř. neviditelné laserové ozáření třídy 1M. Nedívejte se do otvoru přímo s optickými nástroji.

FIGYELMEZTETÉS: Látható és/vagy láthatatlan 1M osztályú sugárzás nyitott állapotban. Ne nézze közvetlenül optikai műszerekkel.

注意: 打開蓋板可能會產生可見或不可見的 1M 級鐳射。不要使用光學儀器直接進行窺視。

注意: 打开盖板可能会产生可见或不可见的 1M 级辐射。不要使用光学仪器直接进行窥视。

تنبيه: يوجد إشعاع ليزري مرئي و/أو غير مرئي من الفئة 1M عندما يكون الجهاز مفتوحاً. تجنب النظر مباشرة داخل الجهاز باستخدام أدوات بصرية.

احتياط: هنگامی که باز گردد، تشعشع مرئی و یا نامرئی کلاس 1M لیزر وجود دارد. با لوازم چشمی مستقیماً به آن نگاه نکنید.

주의: 개방하면 가지 및/또는 비가시 클래스 1M 레이저 방사선이 나옵니다. 광학 기구로 직접 들여다보지 마십시오.

REPRODUCTION AND POSITION OF LABELS and PRINT WARNING LABEL and PRINT



CAUTION VISIBLE AND/OR INVISIBLE CLASS 1M LASER RADIATION WHEN OPEN. DO NOT VIEW DIRECTLY WITH OPTICAL INSTRUMENTS. IEC60825-1:2001 (ENG)	ATTENTION RAYONNEMENT LASER VISIBLE ET/OU INVISIBLE DE CLASSE 1M UNE FOIS OUVERT. NE PAS REGARDER DIRECTEMENT AVEC DES INSTRUMENTS OPTIQUES. (FRA)	AVISO RADIACIÓN LÁSER DE CLASE 1M VISIBLE Y/O INVISIBLE CUANDO ESTA ABIERTO. NO MIRAR DIRECTAMENTE CON INSTRUMENTAL ÓPTICO. (ESP)	WARNING SYNLIG OCH/ELLER OSYNLIG LASERSTRÅLNING, KLASS 1M, NÅR DENNA DEL ÄR ÖPPNAD. BETRAKTA EJ STRÅLEN MED OPTISKA INSTRUMENT. (SWE)	注意 ここに書くと可視 及び/または不可視 のクラス1M レーザー放射が 出ます。 光学装置で直接 見ないでください。 (JPN)	CAUTION VISIBLE AND/OR INVISIBLE CLASS I LASER RADIATION WHEN OPEN. DO NOT STARE INTO BEAM. FDA 21 CFR (ENG)
--	--	---	---	--	---

SECTION 2 SPECIFIC SERVICE INSTRUCTIONS

This service manual does not describe SPECIFIC SERVICE INSTRUCTIONS.

SECTION 3 DISASSEMBLY

3.1 Main body

3.1.1 Removing the Bottom chassis (See Fig.1)

- (1) Disengage the five hooks **a** engaged bottom chassis.

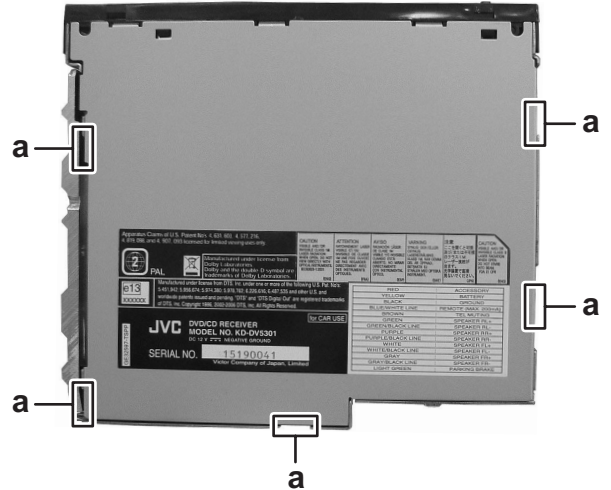


Fig.1

3.1.2 Removing the Heat sink (See Fig.2)

- (1) Remove the two screws **A** and three screws **B** attaching the Heat sink.

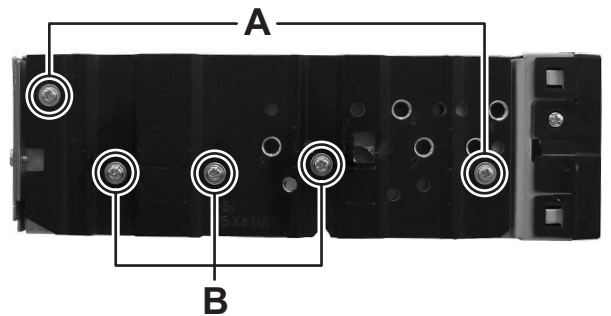


Fig.2

3.1.3 Removing the Front chassis assembly (See Fig.3)

- (1) From the both side of Front chassis, remove the two screws **C** attaching the Front chassis.
- (2) Disengage the both side of four hooks **b** engaged Front chassis.

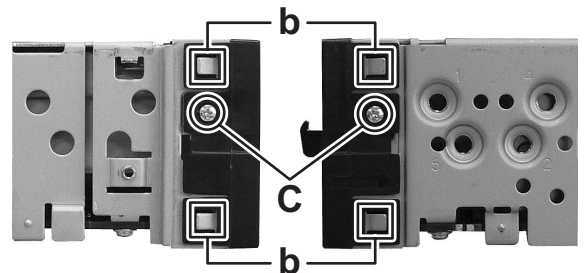


Fig.3

3.1.4 Removing the Main board assembly (See Fig.4 and 5)

- (1) Remove the three screws **D** attaching the Main board assembly. (See Fig.4)
- (2) Remove the three screws **E** attaching Rear bracket. (See Fig.5)
- (3) Disconnect the connector [CN961](#) connected to DVD mechanism assembly. (See Fig.4)

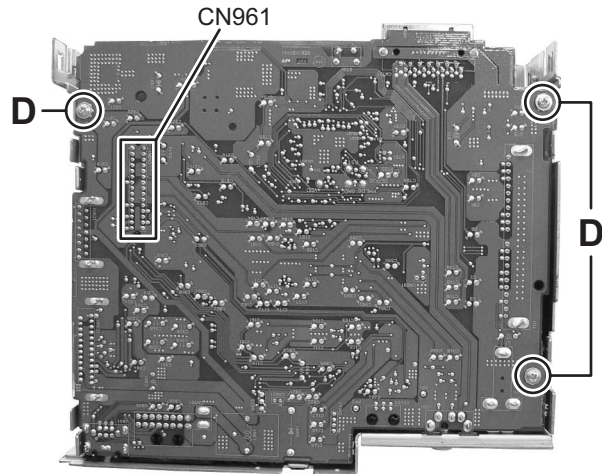


Fig.4

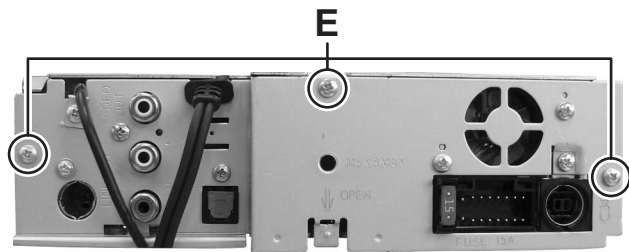


Fig.5

3.1.5 Removing the DVD mechanism assembly (See Fig.6 and 7)

- (1) Remove the three screws **F** attaching the DVD mechanism assembly. (See Fig.6)
- (2) Remove the two screws **G** attaching the DVD bracket. (See Fig.7)

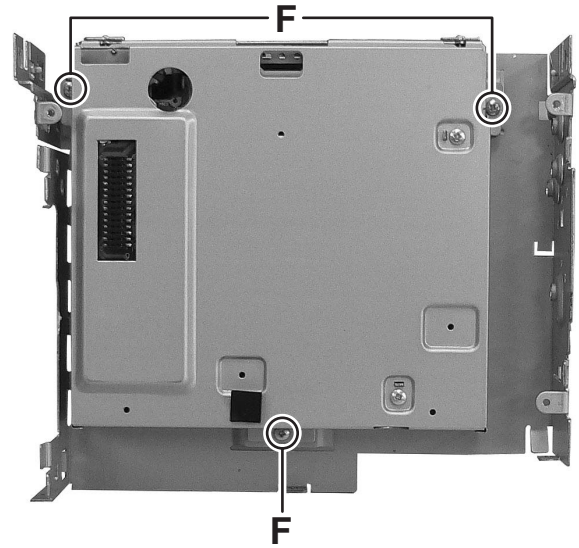


Fig.6

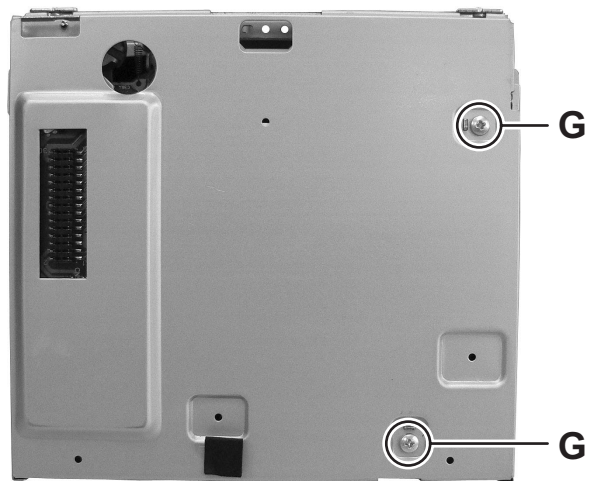


Fig.7

3.1.6 Removing the Switch board assembly (See Fig.8)

- (1) Remove the Volume knob from Front panel assembly.
- (2) Remove the five screws **H** attaching the Back cover.
- (3) Disengage the fourteen hooks **c** engaged Back cover.

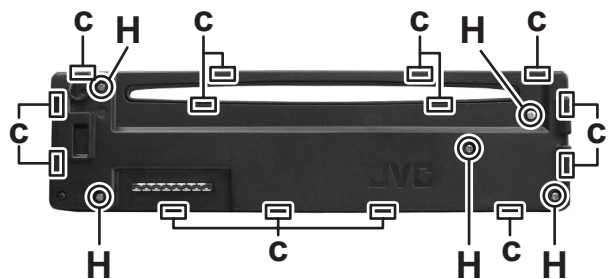


Fig.8

3.2 DVD mechanism assembly (except KD-DVH426)

3.2.1 Removing the mechanism control board (See Fig.1)

Caution:

Before disconnecting the flexible wire extending from the DVD pickup, solder the short-circuit point on the flexible wire using a grounding soldering iron. If you do not follow this instruction, the DVD pickup may be damaged.

- (1) Turn over the body, and solder the short-circuit points on the flexible wire extending from the DVD pickup.
- (2) Disconnect the flexible wire from connector [CN101](#) on the mechanism control board.
- (3) Disconnect the card wire from connector [CN201](#) on the mechanism control board.
- (4) Disconnect the flexible wire from connector [CN202](#) on the mechanism control board.
- (5) Unsolder two soldered points **a** on the mechanism control board and remove the wire extending from the feed motor.
- (6) Remove the screw **A** attaching the lug wire.
- (7) Remove the two screws **B** and screw **C** attaching the mechanism control board.

Caution:

- As the flexible wire to be connected to [CN101](#), make sure to attach it to the mechanism control board using a double tape.
- After reassembling, unsolder the short-circuit points.

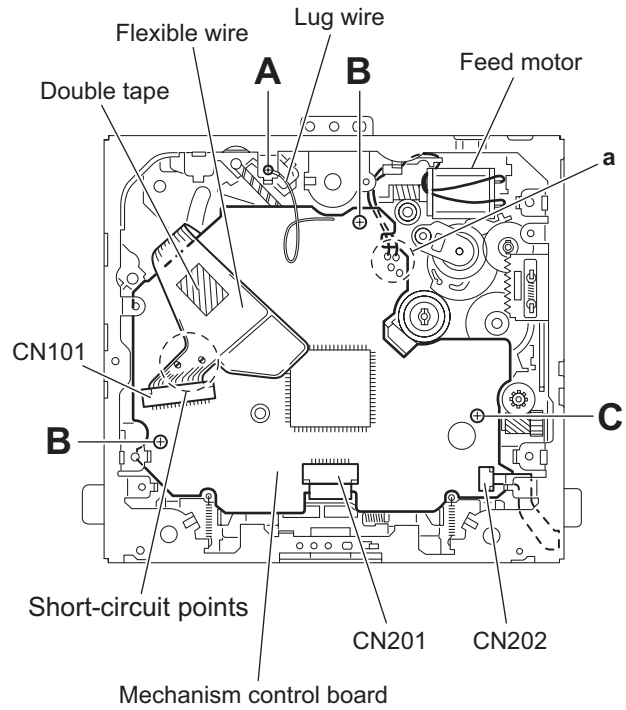


Fig.1

3.2.2 Removing the top cover

(See Fig.2)

- (1) Remove the two screws **D** attaching the top cover on the back of the body.
- (2) Remove the top cover upward.

Reference:

When reassembling, set part **b** of the top cover under the bending part **c** of the chassis frame.

3.2.3 Removing the mechanism section

(See Fig.2 to 4)

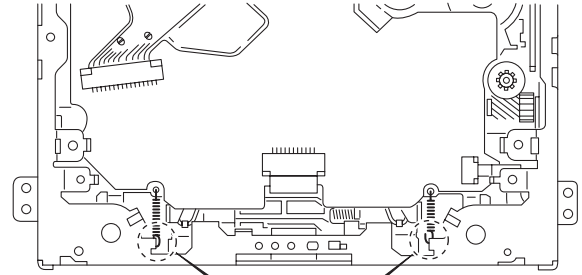
- Remove the top cover.
 - (1) From the bottom of the body, remove the screw **E** attaching the lug wire. (See Fig.2.)
 - (2) Remove the two screws **F** attaching the right and left stoppers on the front side. (See Fig.2.)
 - (3) Remove the two floating springs on the bottom of the body. (See Fig.3.)
 - (4) Move the mechanism section upward and remove from the chassis frame.

The three damper springs come off from the dampers.

 (See Fig.4.)

Caution:

- When reassembling, reattach the damper spring to the damper respectively and insert the three shafts on the bottom of the mechanism to the dampers.
- Before inserting the shaft to the dampers, apply IPA to the hole of damper.



Floating spring

Fig.3

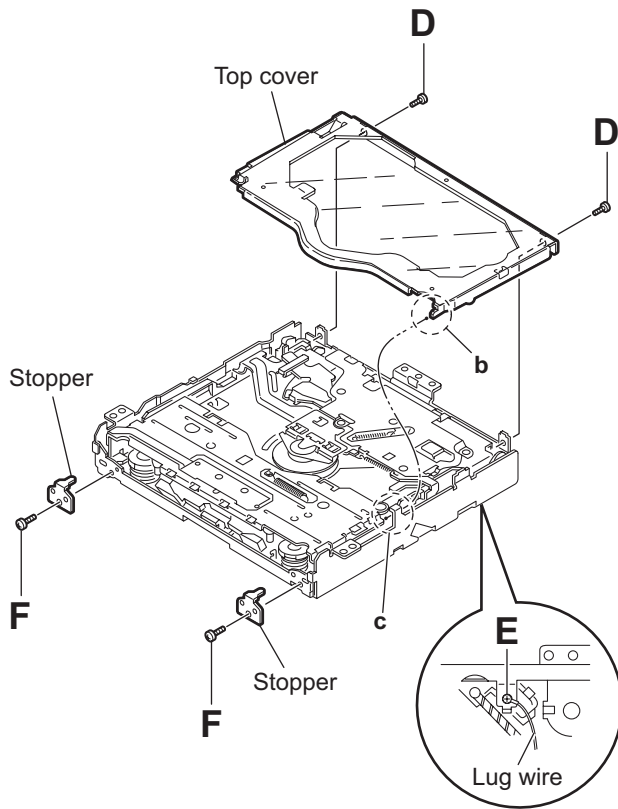


Fig.2

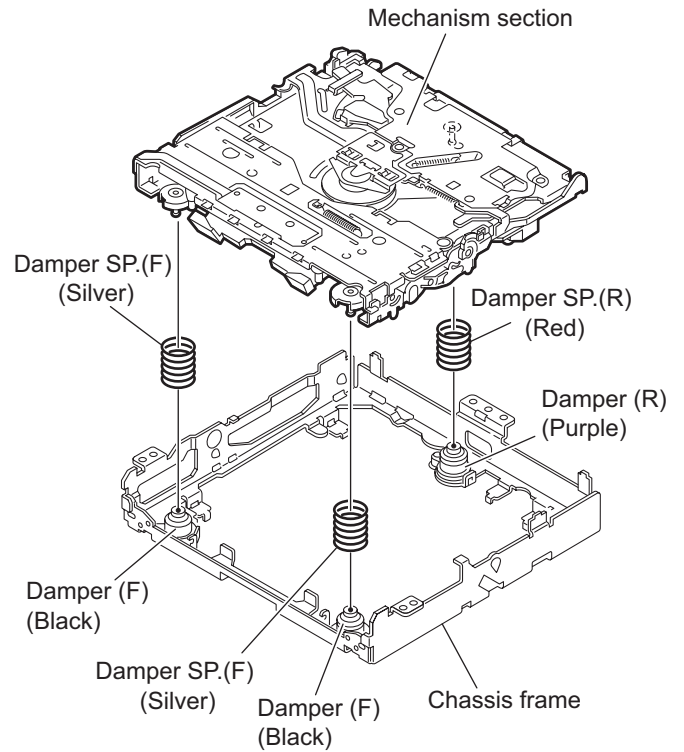


Fig.4

3.2.4 Removing the clamper unit (See Fig.5 to 7)

- Remove the top cover and the mechanism section.
 - Remove the clamper2 spring on the bottom of the mechanism section. (See Figs.5.and 6.)
 - Release the part **d** of the clamper spring from the bending part of the chassis base assembly. (See Fig.7.)
 - Move the clamper unit in the direction of the arrow and turn. Release the two joints **e** and **f**, then remove the clamper unit upward. (See Fig.6.)

3.2.5 Reattaching the clamper unit (See Fig.5 to 9)

- Attach the clamper spring to the clamper unit. (See Fig.8.)
- Move the clamper unit to set the side joints **e** and **f** to each boss of the chassis base assembly. Make sure that part **g** is inserted to the notch of the chassis base assembly. (See Figs.5 and 9.)
- Move the part **d** of the clamper spring to the outside of the bending part of the chassis base assembly. (See Fig.7.)
- Attach the clamper2 spring to the chassis base assembly. (See Figs.5 and 6.)

Caution:

When reattaching, temporarily hook the end of the clamper spring as shown in the figure to make the work easy. (See Fig.8.)

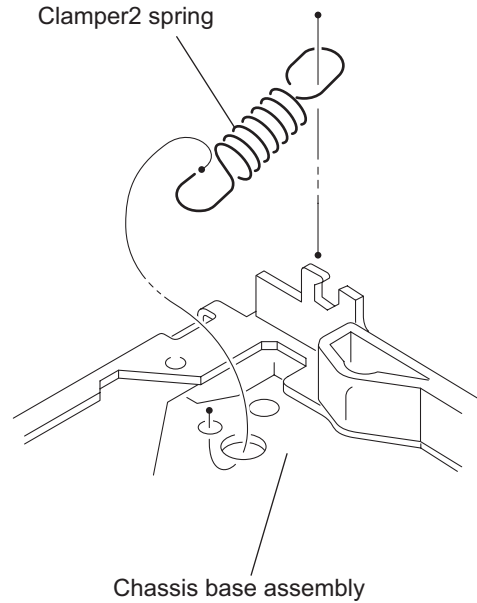


Fig.6

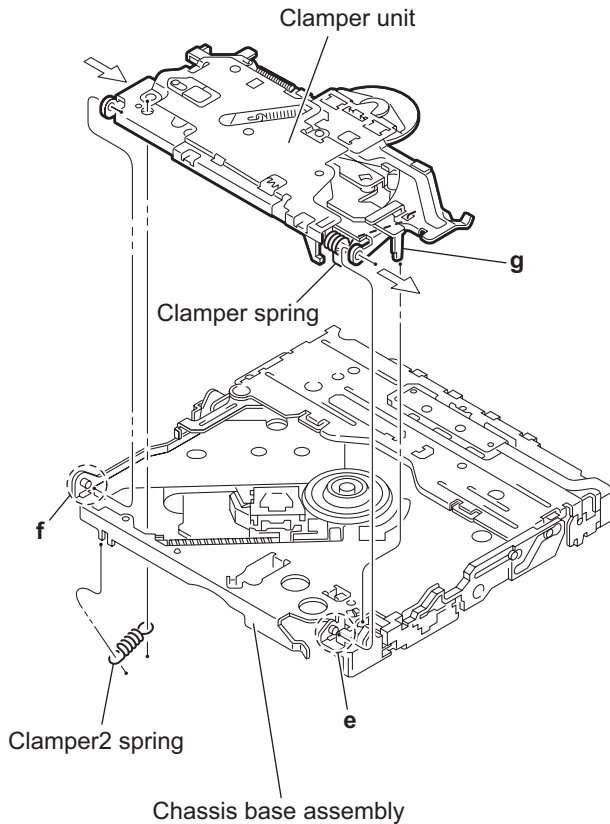


Fig.5

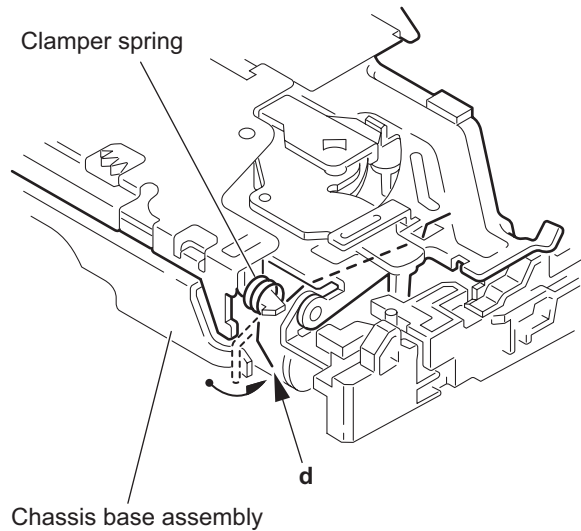


Fig.7

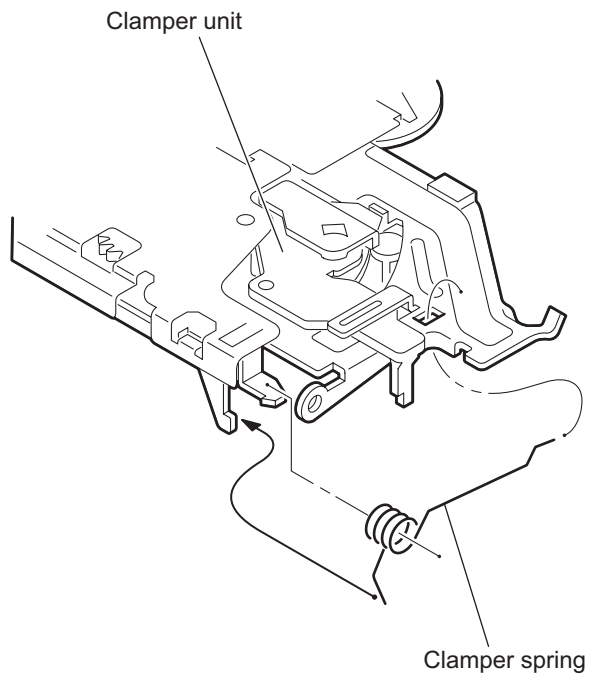


Fig.8

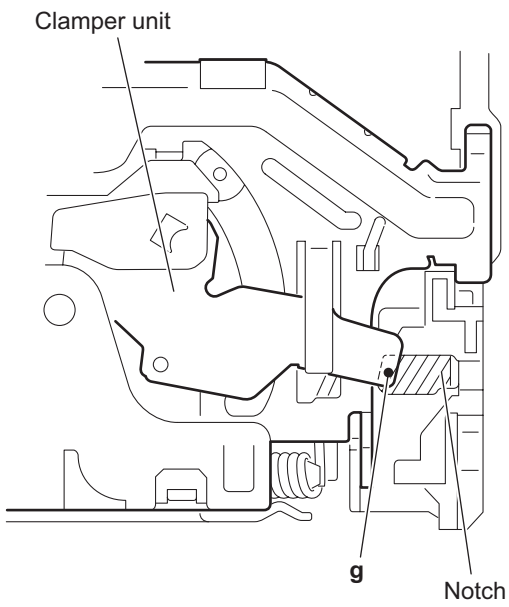


Fig.9

3.2.6 Removing the front unit (See Fig.10 to 12)

- Remove the top cover and the mechanism section.
 - Disconnect the flexible wire from connector **CN202** on the mechanism control board at the bottom of the body. (See Fig.10.)
 - Remove the screw **G** attaching the front unit on the top of the body. (See Fig.11.)
 - Move the front unit toward the front to release joint **h**, and release two joints **i** and **j** on the right side of the chassis base assembly. Then remove the front unit upward. (See Figs.11 and 12.)
 - Remove the two screws **H** attaching the switch board. (See Fig.12.)

Reference:

You can remove the switch board only without removing the front unit.

Caution:

When reassembling, attach the flexible wire extending from the switch board using the double tape. (See Figs.10 and 12.)

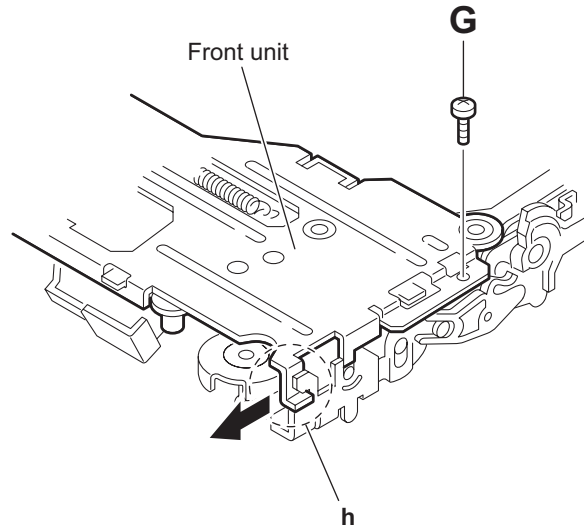


Fig.11

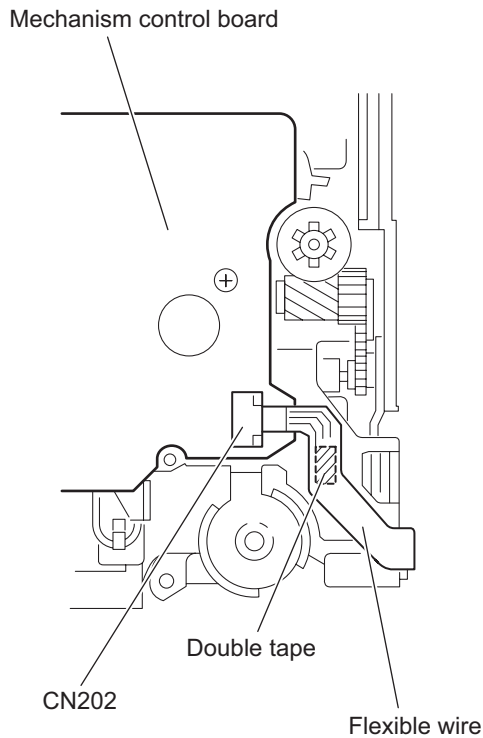


Fig.10

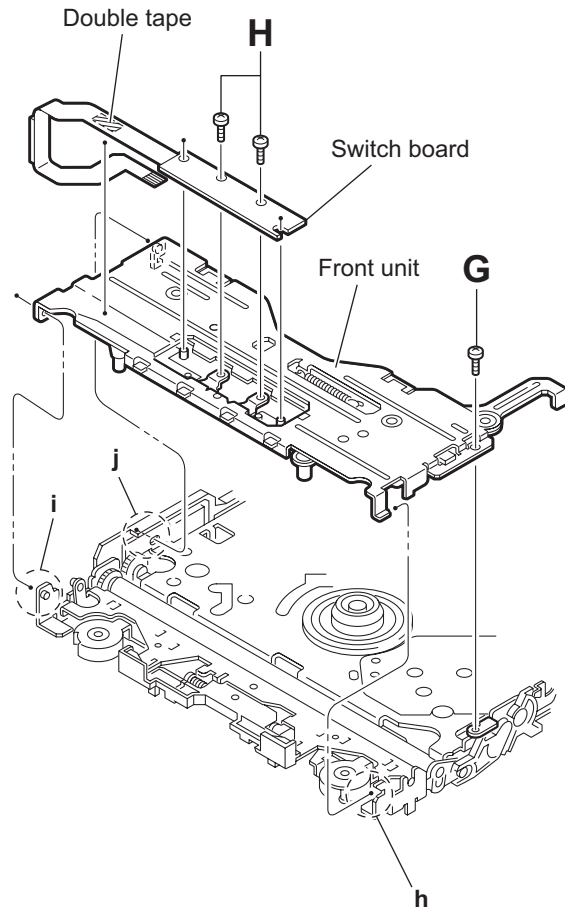


Fig.12

3.2.7 Removing the loading arm assembly (See Fig.13 , 14)

- Remove the top cover, the mechanism section and the front unit.
 - From the top of the body, move the loading arm assembly from the front side upward, and release the bosses from the right and left joints **k** and **m** of the chassis base assembly.
 - Release the boss from notch **n** of the connect arm on the right side of the body, and release the boss from notch **p** of the slide cam assembly on the left side.

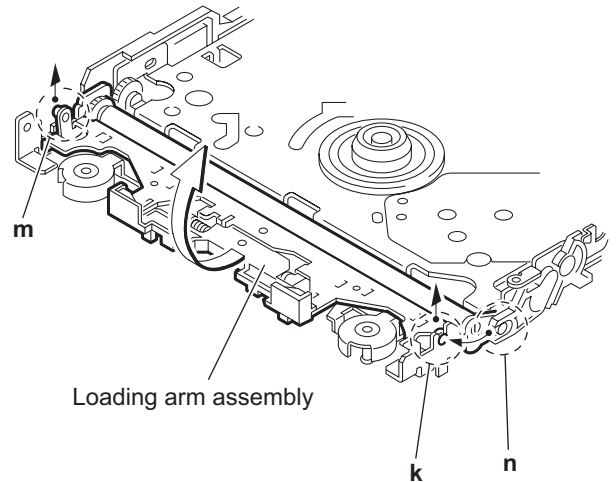


Fig.13

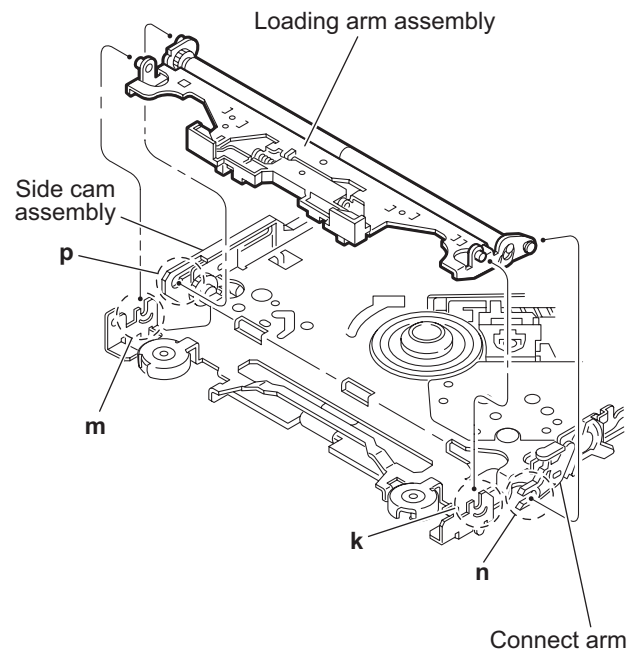


Fig.14

3.2.8 Removing the rod (L)(R)/roller assembly (See Fig.15 and 16)

- Remove the top cover, the mechanism section, the front unit and the loading arm assembly.
 - Release the rod (L) and (R) from the joints **q** at the bottom of the loading arm assembly (See Fig.15.)
 - Remove the roller assembly from the loading arm assembly. (See Fig.16.)
 - Remove the two collars and washer from the roller assembly. (See Fig.16.)

Caution:

After attaching the loading arm assembly to the roller assembly, attach the rod (L) and (R). Attach the rods to the right and left collars of the roller. (See Fig.15.)

When reattaching the rod (L) and (R) to the loading arm assembly, engage each joint as shown in Fig.15. As joints **q** of the rod (L), let the rod through **q** before reattaching it.

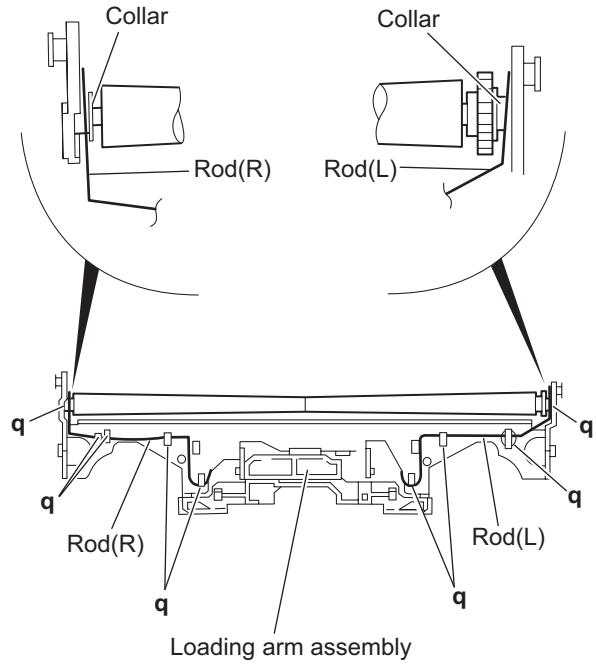


Fig.15

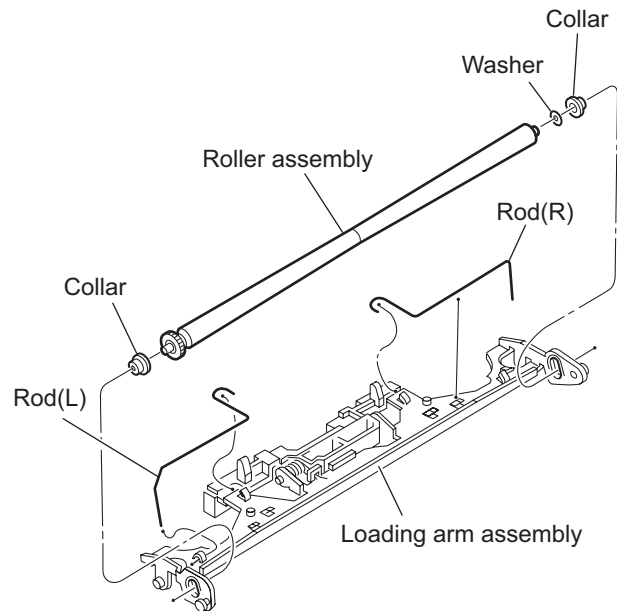


Fig.16

3.2.9 Removing the DVD pickup assembly (See Fig.17 to 19)

- Remove the mechanism control board.
 - (1) From the bottom of the body, turn the feed gear in the direction of the arrow to move the DVD pickup outwards. (See Fig.17.)
 - (2) Remove the screw **J** attaching the thrust spring. (See Fig.17.)
 - (3) Remove the DVD pickup assembly upward on the L.S.gear side and release from sub shaft at joint **r**. Move the lead screw of the DVD pickup assembly in the direction of the arrow to release from joint **s**. (See Fig.18.)

Caution:

- When releasing the lead screw at joint **s**, the L.S.collar comes off at the end of the lead screw. When reassembling, reattach the L.S.collar to the lead screw and engage joint **s**. (See Fig.18.)
 - When reattaching the L.S.collar, reattach it to the point **s** of the lead screw, and to the rod (M). Make sure that the L.S.collar is set on the rod (M) spring. (See Fig.18.)
- (4) Remove the screw **K** attaching the rack spring/ rack plate on the DVD pickup. (See Fig.19.)
 - (5) Pull out the lead screw. (See Fig.19.)

Caution:

Perform adjustment after replacing the pickup.

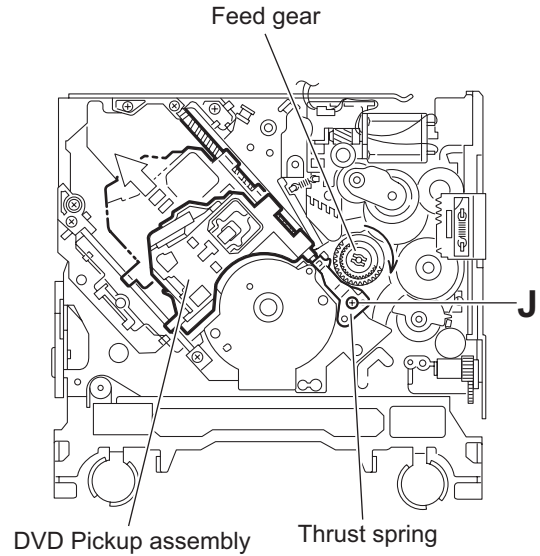


Fig.17

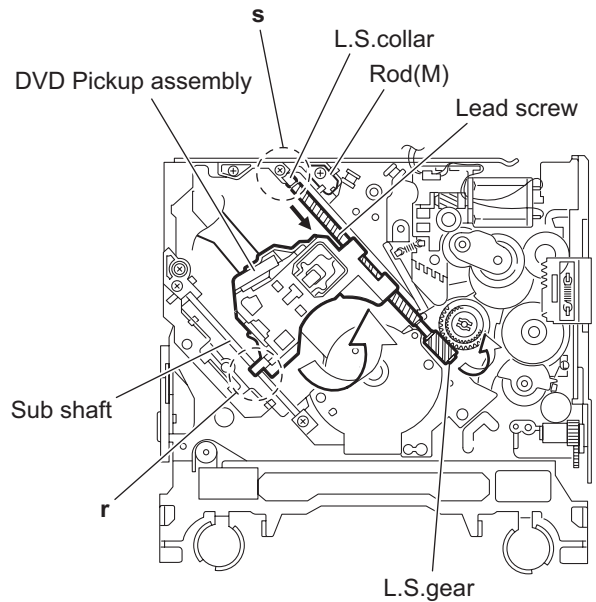


Fig.18

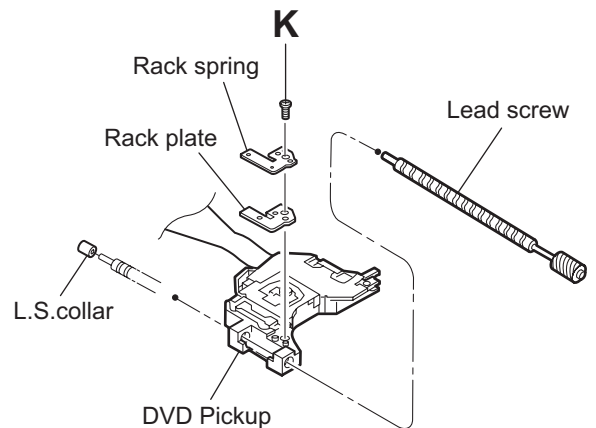


Fig.19

3.2.10 Removing the spindle motor (See Fig.20)

- Remove the mechanism control board.
Remove the two screws **L** attaching the spindle motor on the bottom of the body.

Caution:

Perform adjustment when reattaching the spindle motor.

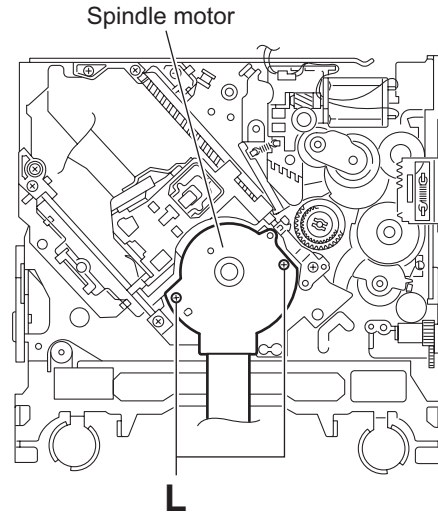


Fig.20

3.2.11 Removing the feed motor assembly (See Fig.21 and 22)

- Remove the mechanism control board.
 - Remove the feed TRI. spring on the bottom of the body.
(See Fig.21.)
 - Remove the two screws **M** attaching the feed motor assembly. (See Fig.21.)
 - Remove the slit washer from the motor H. assembly and pull out the worm wheel. (See Fig.22.)

Remove the two screws **N** attaching the feed motor. (See Fig.22.)

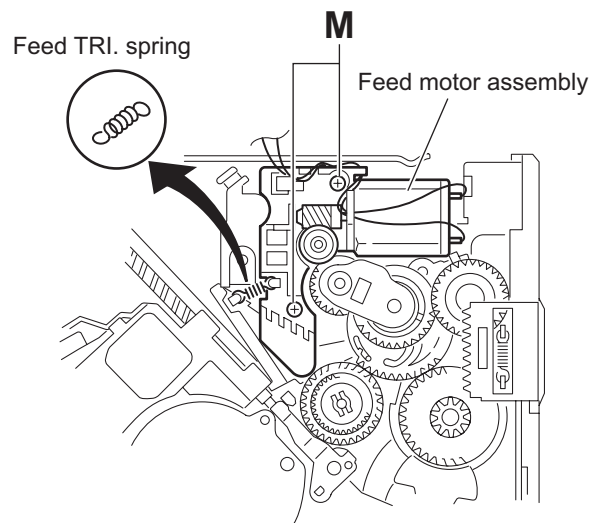


Fig.21

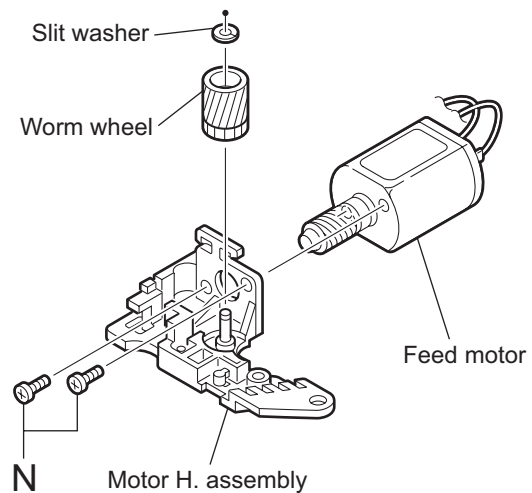


Fig.22

3.3 DVD mechanism assembly (for KD-DVH426)

3.3.1 Removing the mechanism control board (See Fig.1)

Caution:

Before disconnecting the flexible wire extending from the DVD pickup, solder the short-circuit point on the flexible wire using a grounding soldering iron. If you do not follow this instruction, the DVD pickup may be damaged.

- (1) Turn over the body, and solder the short-circuit points on the flexible wire extending from the DVD pickup.
- (2) Disconnect the flexible wire from connector [CN101](#) on the mechanism control board.
- (3) Disconnect the card wire from connector [CN201](#) on the mechanism control board.
- (4) Disconnect the flexible wire from connector [CN202](#) on the mechanism control board.
- (5) Unsolder two soldered points **a** on the mechanism control board and remove the wire extending from the feed motor.
- (6) Remove the screw **A** attaching the lug wire.
- (7) Remove the two screws **B** and screw **C** attaching the mechanism control board.

Caution:

- As the flexible wire to be connected to [CN101](#), make sure to attach it to the mechanism control board using a double tape.
- After reassembling, unsolder the short-circuit points.

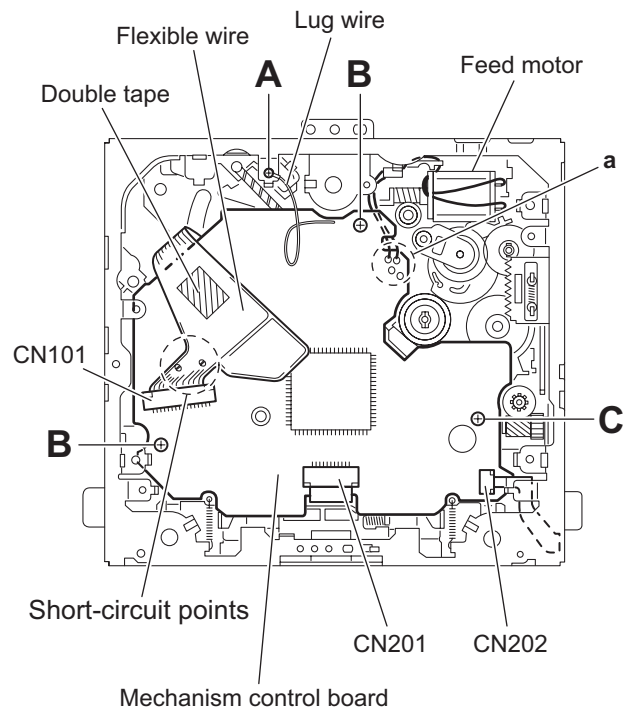


Fig.1

3.3.2 Removing the top cover (See Fig.2)

- (1) Remove the two screws **D** attaching the top cover on the back of the body.
- (2) Remove the top cover upward.

Reference:

When reassembling, set part **b** of the top cover under the bending part **c** of the chassis frame.

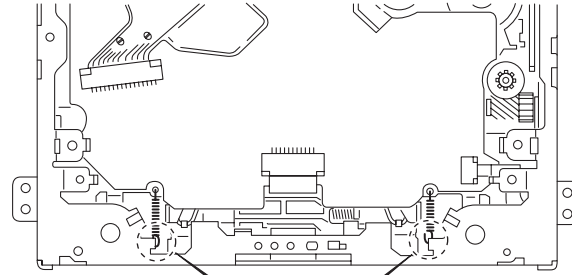
3.3.3 Removing the mechanism section (See Fig.2 to 4)

- Remove the top cover.
 - (1) From the bottom of the body, remove the screw **E** attaching the lug wire. (See Fig.2.)
 - (2) Remove the two screws **F** attaching the right and left stoppers on the front side. (See Fig.2.)
 - (3) Remove the two floating springs on the bottom of the body. (See Fig.3.)
 - (4) Move the mechanism section upward and remove from the chassis frame.

The three damper springs come off from the dampers. (See Fig.4.)

Caution:

- When reassembling, reattach the damper spring to the damper respectively and insert the three shafts on the bottom of the mechanism to the dampers.
- Before inserting the shaft to the dampers, apply IPA to the hole of damper.



Floating spring

Fig.3

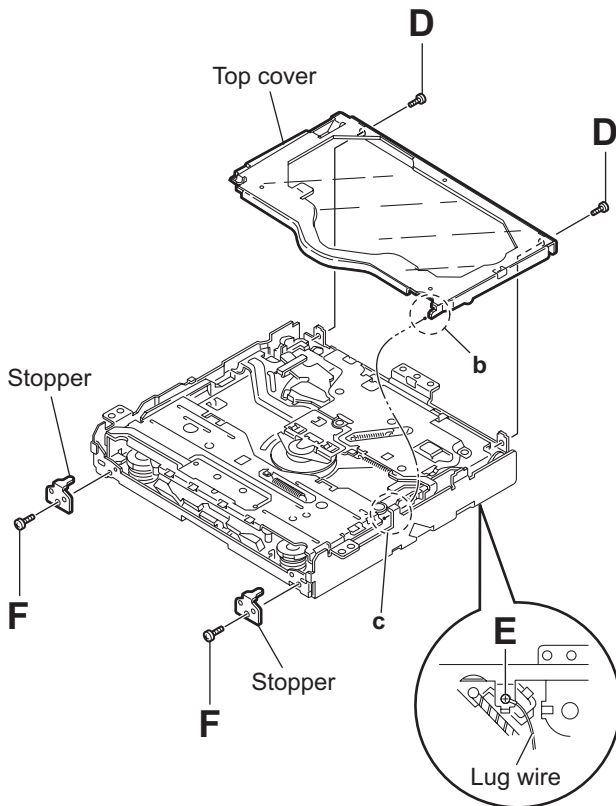


Fig.2

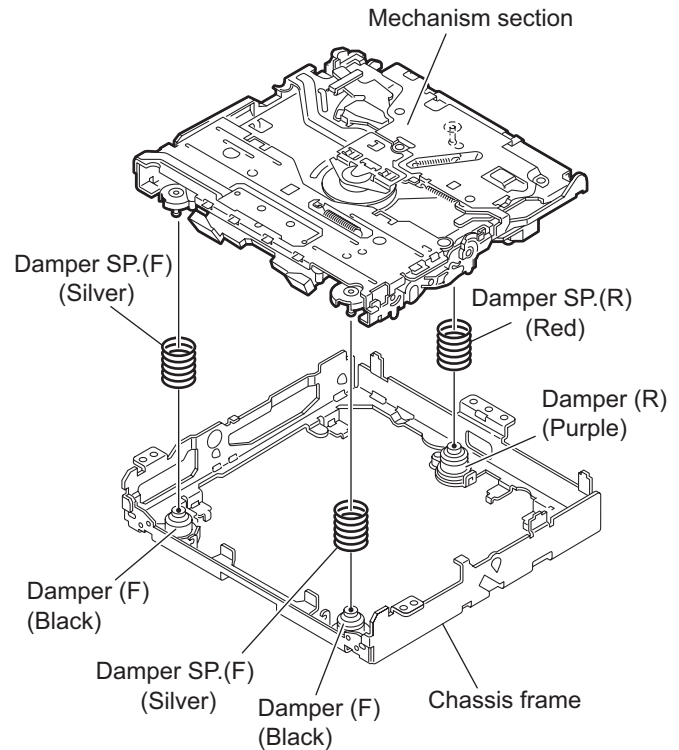


Fig.4

**3.3.4 Removing the clamber unit
(See Fig.5 to 7)**

- Remove the top cover and the mechanism section.
 - (1) Remove the clamber2 spring on the bottom of the mechanism section. (See Figs.5.and 6.)
 - (2) Release the part **d** of the clamber spring from the bending part of the chassis base assembly. (See Fig.7.)
 - (3) Move the clamber unit in the direction of the arrow and turn. Release the two joints **e** and **f**, then remove the clamber unit upward. (See Fig.6.)

**3.3.5 Reattaching the clamber unit
(See Fig.5 to 9)**

- (1) Attach the clamber spring to the clamber unit. (See Fig.8.)
- (2) Move the clamber unit to set the side joints **e** and **f** to each boss of the chassis base assembly. Make sure that part **g** is inserted to the notch of the chassis base assembly. (See Figs.5 and 9.)
- (3) Move the part **d** of the clamber spring to the outside of the bending part of the chassis base assembly. (See Fig.7.)
- (4) Attach the clamber2 spring to the chassis base assembly. (See Figs.5 and 6.)

Caution:

When reattaching, temporarily hook the end of the clamber spring as shown in the figure to make the work easy. (See Fig.8.)

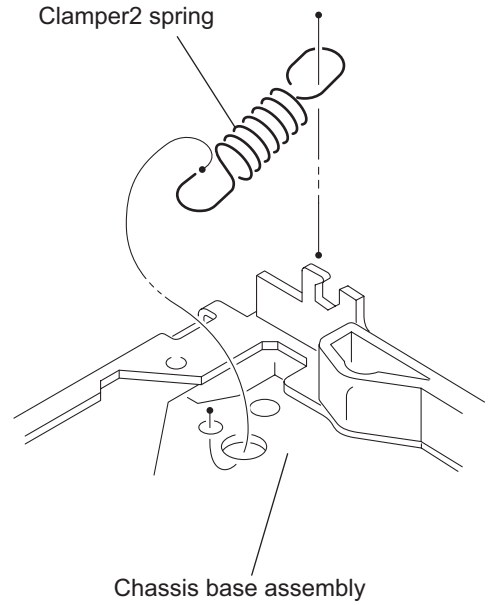


Fig.6

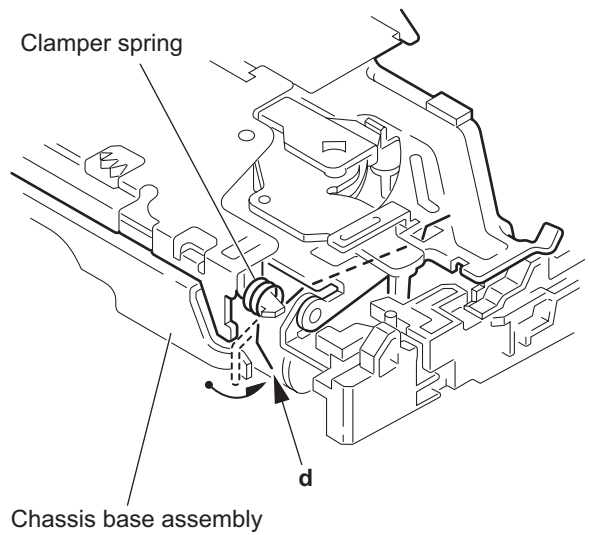


Fig.7

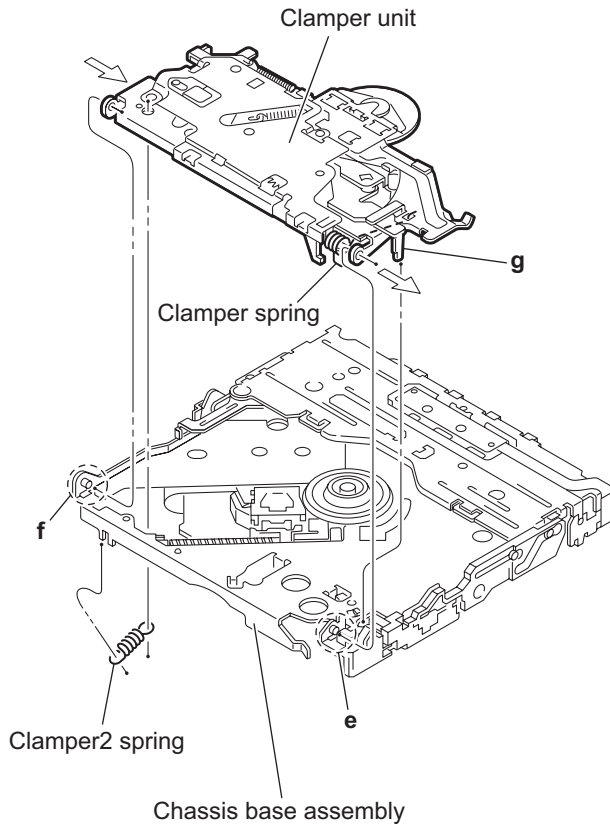


Fig.5

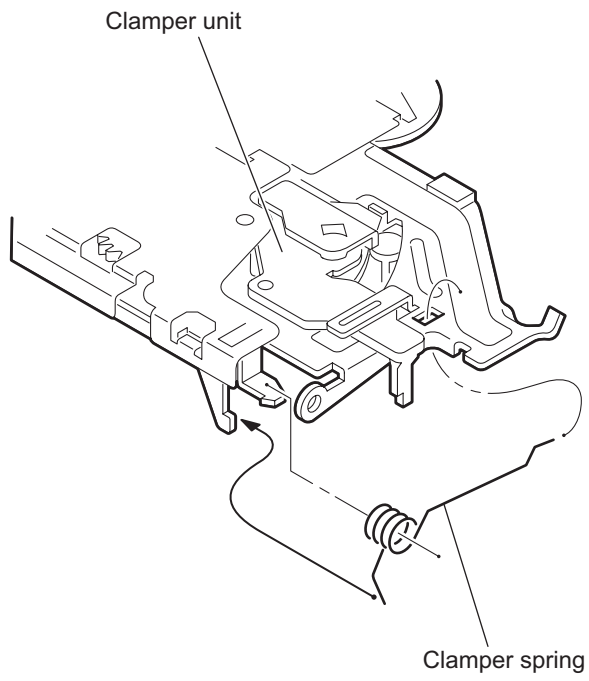


Fig.8

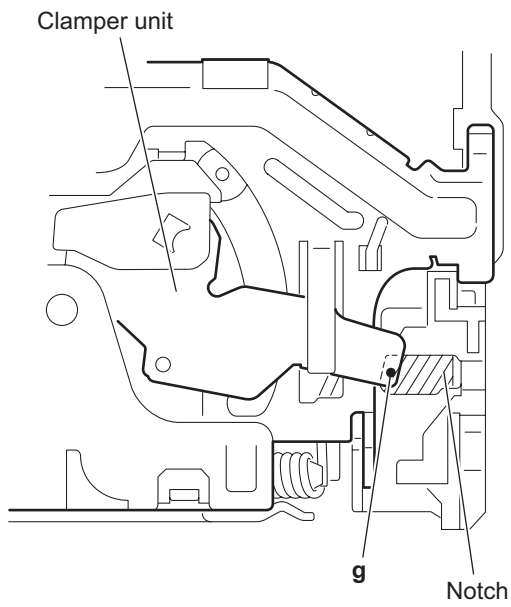


Fig.9

3.3.6 Removing the front unit (See Fig.10 to 12)

- Remove the top cover and the mechanism section.
 - Disconnect the flexible wire from connector [CN202](#) on the mechanism control board at the bottom of the body. (See Fig.10.)
 - Remove the screw **G** attaching the front unit on the top of the body. (See Fig.11.)
 - Move the front unit toward the front to release joint **h**, and release two joints **i** and **j** on the right side of the chassis base assembly. Then remove the front unit upward. (See Figs.11 and 12.)
 - Remove the two screws **H** attaching the switch board. (See Fig.12.)

Reference:

You can remove the switch board only without removing the front unit.

Caution:

When reassembling, attach the flexible wire extending from the switch board using the double tape. (See Figs.10 and 12.)

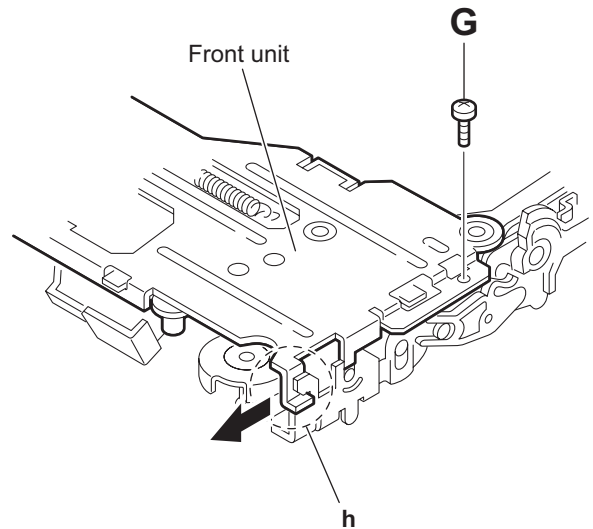


Fig.11

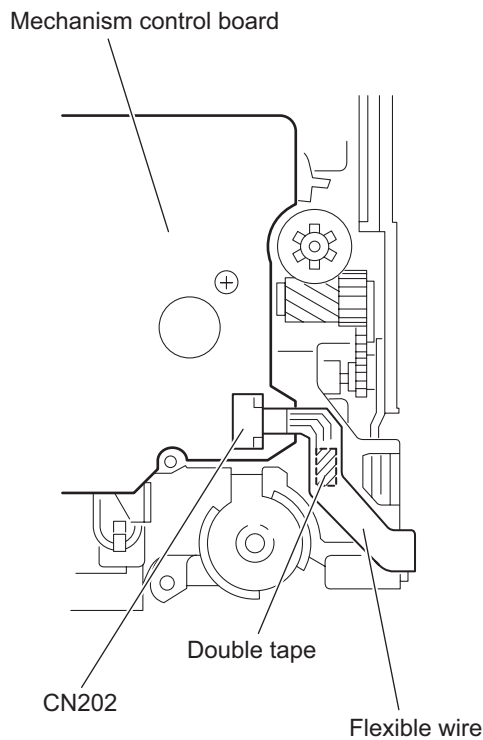


Fig.10

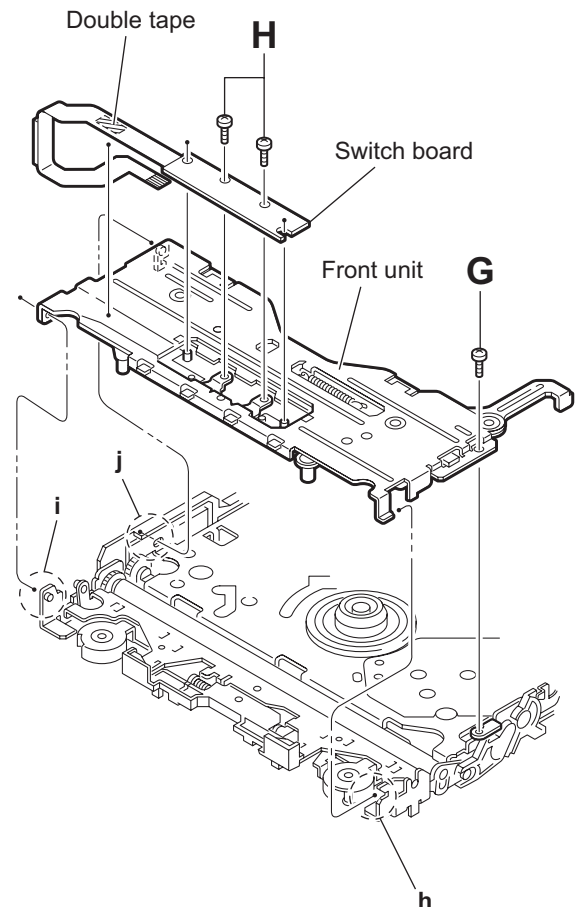


Fig.12

3.3.7 Removing the loading arm assembly (See Fig.13 , 14)

- Remove the top cover, the mechanism section and the front unit.
 - From the top of the body, move the loading arm assembly from the front side upward, and release the bosses from the right and left joints **k** and **m** of the chassis base assembly.
 - Release the boss from notch **n** of the connect arm on the right side of the body, and release the boss from notch **p** of the side cam assembly on the left side.

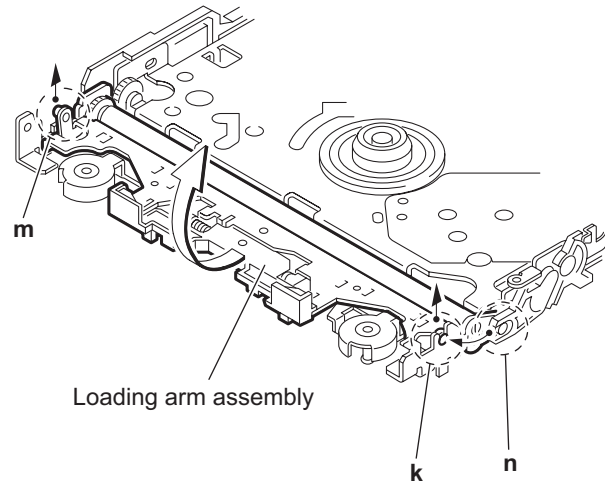


Fig.13

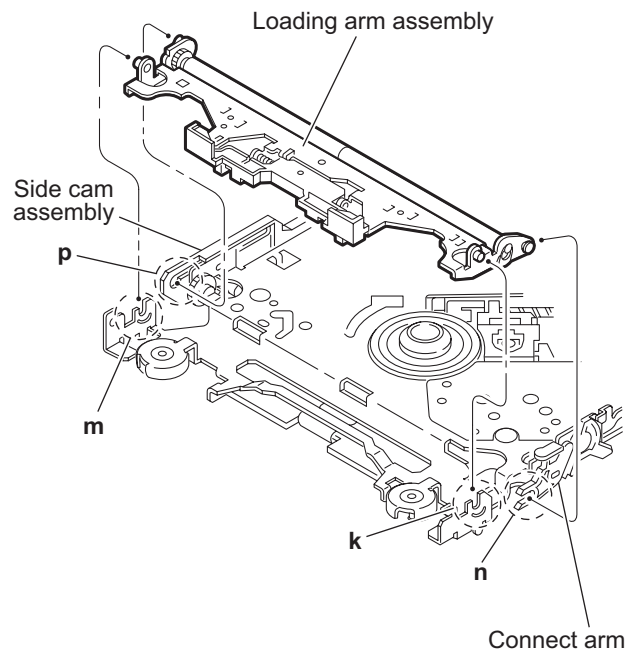


Fig.14

3.3.8 Removing the rod (L)(R)/roller assembly (See Fig.15 and 16)

- Remove the top cover, the mechanism section, the front unit and the loading arm assembly.
 - Release the rod (L) and (R) from the joints **q** at the bottom of the loading arm assembly (See Fig.15.)
 - Remove the roller assembly from the loading arm assembly. (See Fig.16.)
 - Remove the two collars and washer from the roller assembly. (See Fig.16.)

Caution:

After attaching the loading arm assembly to the roller assembly, attach the rod (L) and (R). Attach the rods to the right and left collars of the roller. (See Fig.15.)
When reattaching the rod (L) and (R) to the loading arm assembly, engage each joint as shown in Fig.15. As joints **q** of the rod (L), let the rod through **q** before reattaching it.

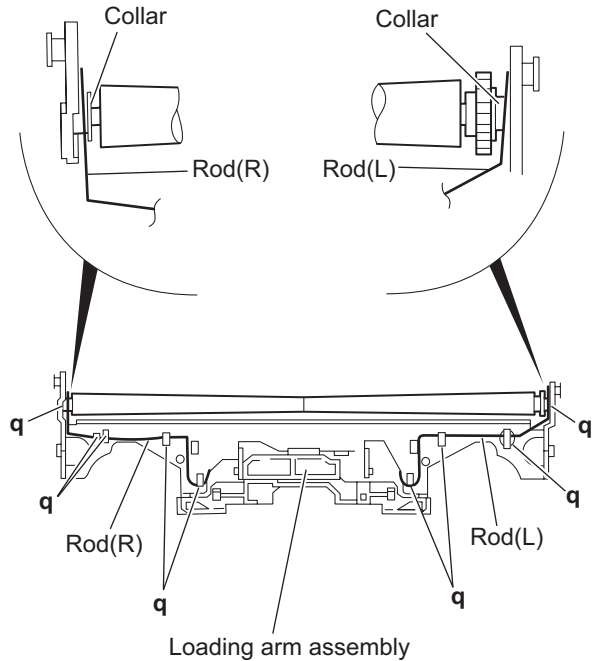


Fig.15

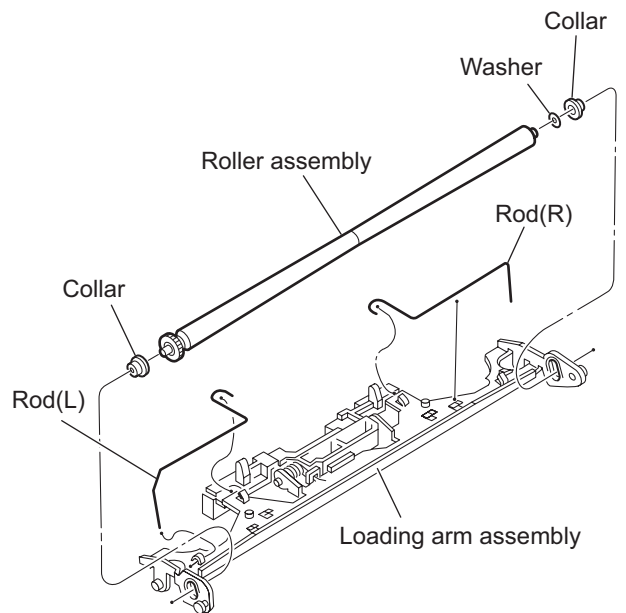


Fig.16

3.3.9 Removing the DVD pickup assembly (See Fig.17 to 19)

- Remove the mechanism control board.
- (1) From the bottom of the body, turn the feed gear in the direction of the arrow to move the DVD pickup outwards. (See Fig.17.)
- (2) Remove the screw **J** attaching the thrust spring. (See Fig.17.)
- (3) Remove the DVD pickup assembly upward on the L.S.gear side and release from sub shaft at joint **r**. Move the lead screw of the DVD pickup assembly in the direction of the arrow to release from joint **s**. (See Fig.18.)

Caution:

- When releasing the lead screw at joint **s**, the L.S.collar comes off at the end of the lead screw. When reassembling, reattach the L.S.collar to the lead screw and engage joint **s**. (See Fig.18.)
 - When reattaching the L.S.collar, reattach it to the point **s** of the lead screw, and to the rod (M). Make sure that the L.S.collar is set on the rod (M) spring. (See Fig.18.)
- (4) Remove the screw **K** attaching the rack spring/ rack plate on the DVD pickup. (See Fig.19.)
 - (5) Pull out the lead screw. (See Fig.19.)

Caution:

Perform adjustment after replacing the pickup.

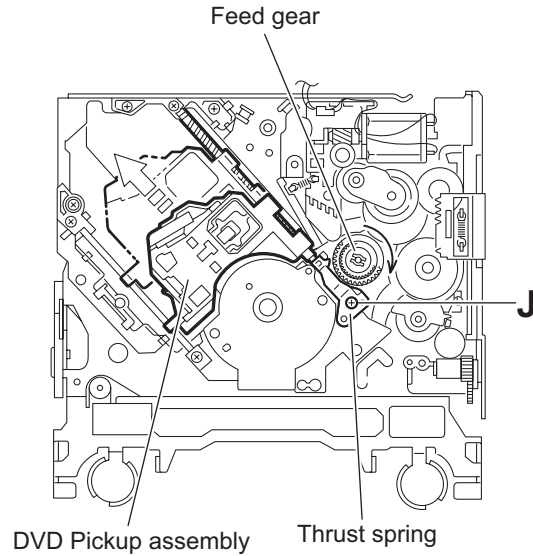


Fig.17

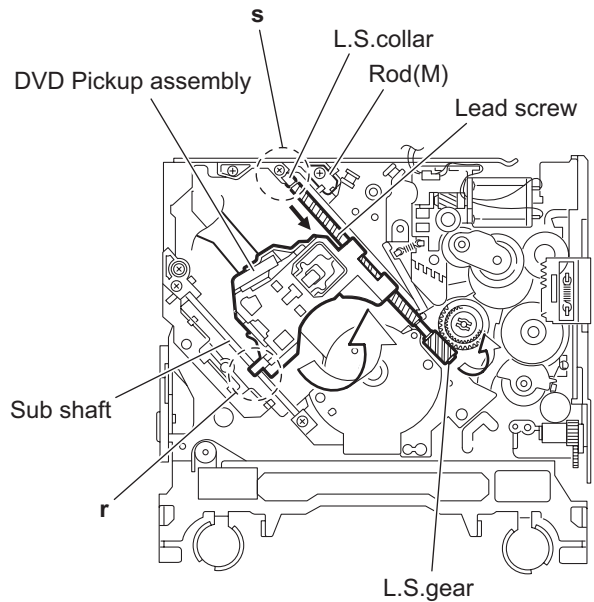


Fig.18

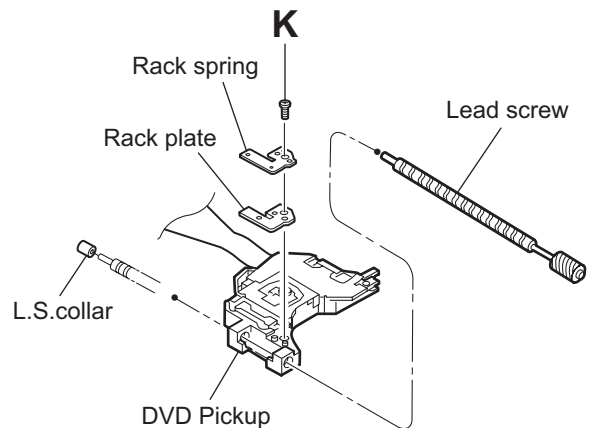


Fig.19

3.3.10 Removing the spindle motor (See Fig.20)

- Remove the mechanism control board.
Remove the two screws **L** attaching the spindle motor on the bottom of the body.

Caution:

Perform adjustment when reattaching the spindle motor.

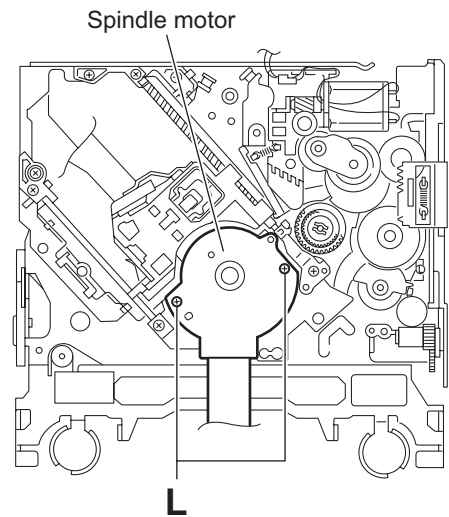


Fig.20

3.3.11 Removing the feed motor assembly (See Fig.21 and 22)

- Remove the mechanism control board.
 - Remove the feed TRI. spring on the bottom of the body. (See Fig.21.)
 - Remove the two screws **M** attaching the feed motor assembly. (See Fig.21.)
 - Remove the slit washer from the motor H. assembly and pull out the worm wheel. (See Fig.22.)

Remove the two screws **N** attaching the feed motor. (See Fig.22.)

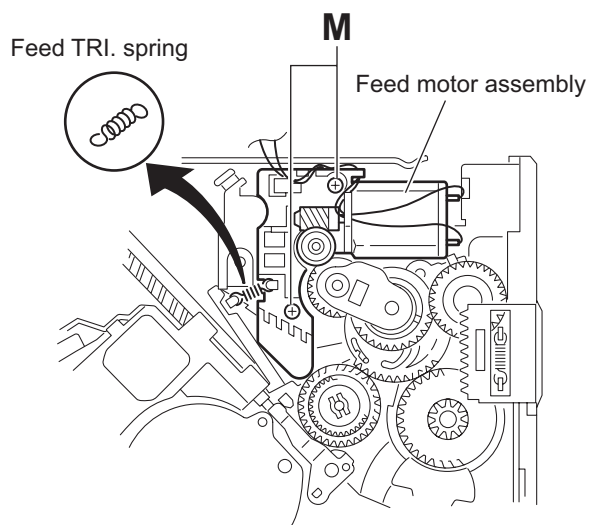


Fig.21

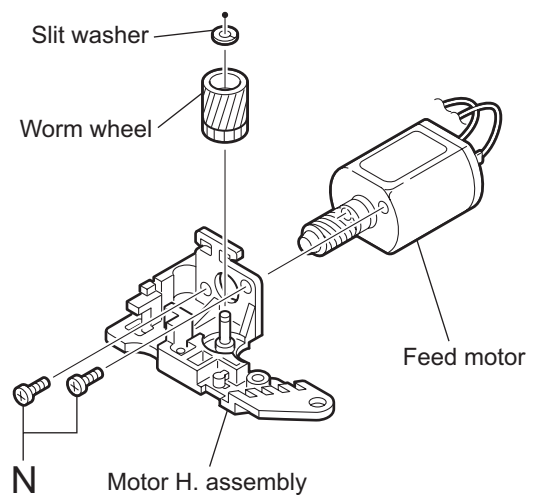


Fig.22

SECTION 4 ADJUSTMENT

4.1 Test instruments required for adjustment

- (1) Digital oscilloscope (100MHz)
- (2) Jitter meter
- (3) Digital tester
- (4) Electric voltmeter
- (5) Tracking offset meter
- (6) Test Disc : VT501 or VT502
- (7) Extension studs : STDV001-3P
- (8) Extension cable : EXTDV002-30P

4.2 Standard measuring conditions

Power supply voltage : DC14.4V(11V to 16V)
Load impedance : 4Ω(2 Speakers connection)
Line output : 20kΩ

Caution:

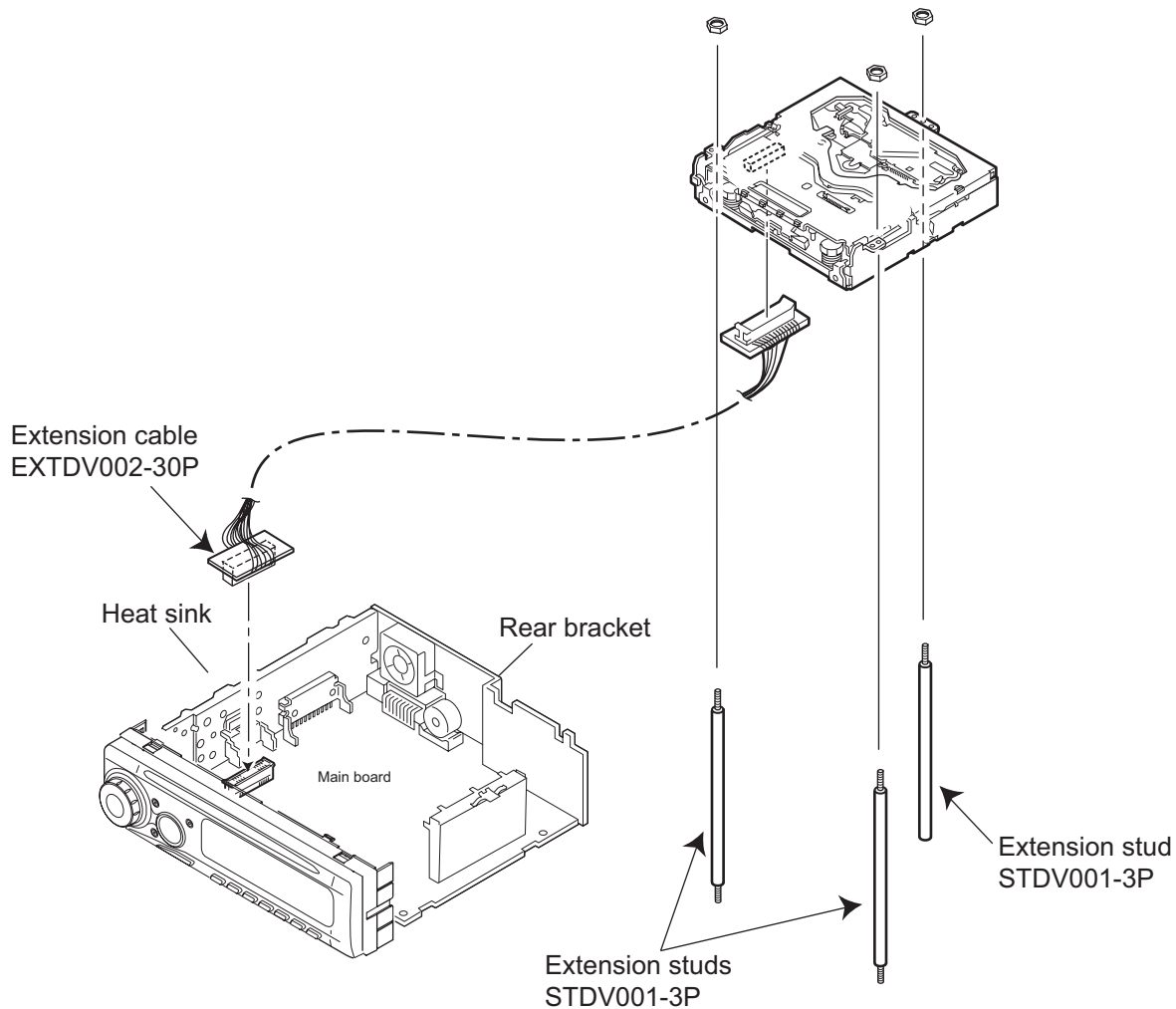
Be sure to attach the heat sink and rear bracket onto the power amplifier IC and regulator IC respectively, before supply the power.

If voltage is applied without attaching these parts, the power amplifier IC and regulator IC will be destroyed by heat.

4.3 Connection method

Connection procedure

- (1) Attach the front chassis assembly to the main board.
- (2) Connect the front panel assembly to the main board.
- (3) Attach the heat sink and rear bracket to the main board.
- (4) Attach the extension studs to the DVD mechanism assembly.
- (5) Connect the DVD mechanism assembly and the main board with a extension cable.



4.4 Adjustment method for jitter

After replacing the pickup, set the unit in the service mode to display a jitter value on the LCD.

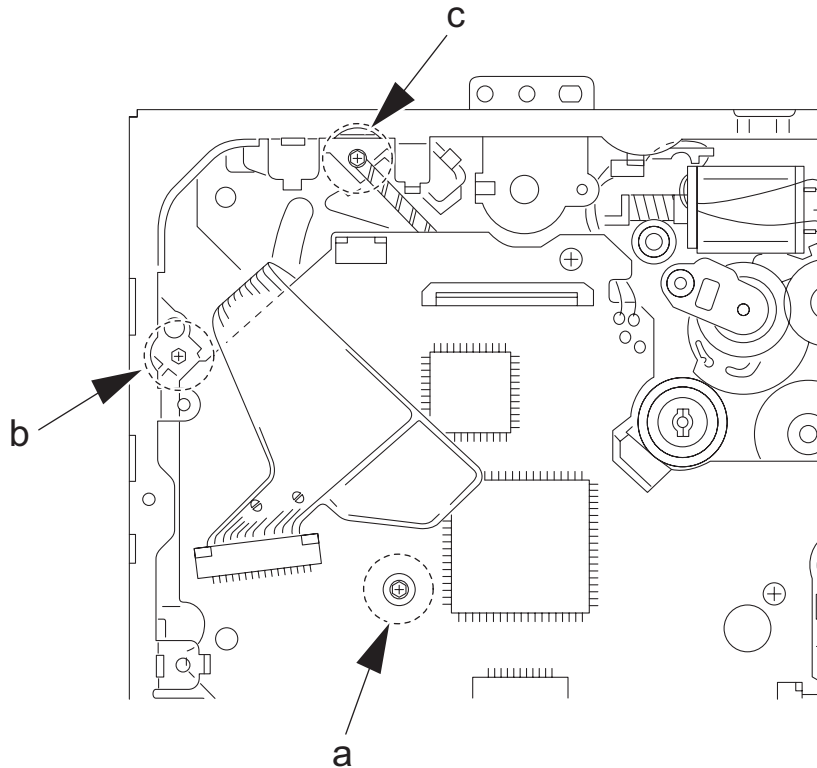
Confirm that the jitter value measured with a jitter meter is within 12% of the jitter value displayed on the LCD.

If it is within 12%, then adjustment is not necessary.

If the measured jitter value is outside the 12% tolerance range, perform the following adjustments.

4.4.1 Adjustment procedure

- (1) Set the unit to the service mode and display a jitter value (hex data) on the LCD.
- (2) Turn each of the screws a, b and c, by a half-turn per step, in the direction that reduces the jitter value in order to minimize it.
(Do not turn a screw more than a half turn at a time, but adjust the screws in the cycle of the same level is turned in the pair of b+c and the same level is turned in the pair of a+b.)
- (3) After completing the adjustment, secure the screws with screw lock paint.



Jitter value adjustment procedure (Pickup horizontal level adjustment relative to the DVD recording surface)

(For the adjustment tool use a 3 mm wrench and not a screwdriver, this procedure will make the adjustment easier.)

3 mm wrench



- (1) Set the unit to the service mode and display a jitter value (hex data) on the LCD.
- (2) Turn each of the screws a, b and c, by a half-turn per step, in the direction that reduces the jitter value in order to minimize it.
(Do not turn a screw more than a half turn at a time, but adjust the screw in the cycle of same level turn by pair of **b+c** → pair of **a+b**.)
- (3) After completing the adjustment, secure the screws with screw lock paint.

4.5 Jitter value conversion table

Load the test DVD and set the unit to the service mode. A jitter value converted to the hex value is displayed on the LCD.

Refer to the corresponding decimal notation value shown in the following Jitter Conversion Table.

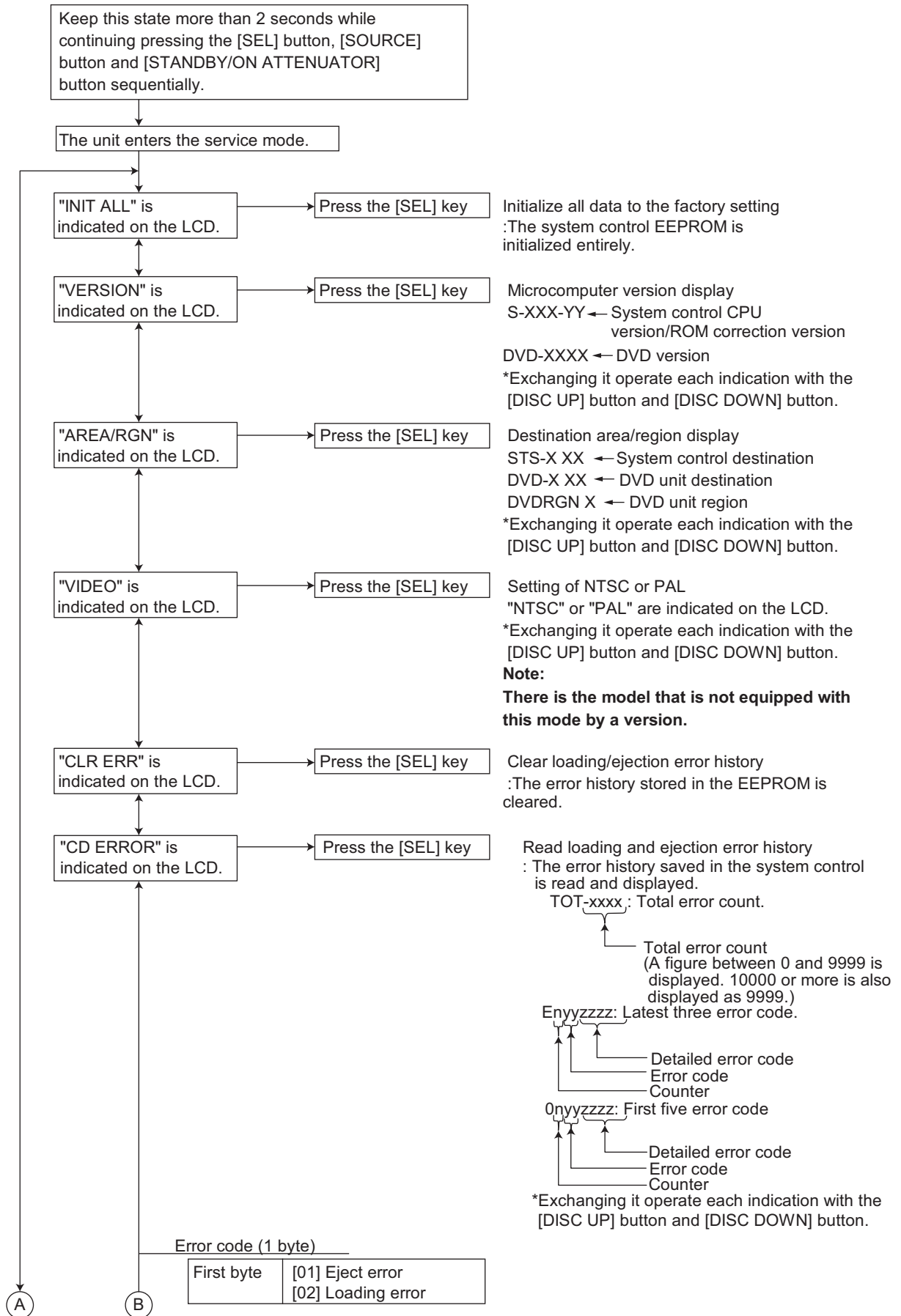
The adjustment is OK if the jitter value measured with a jitter meter is within 12% of the jitter value displayed on the LCD.

If the measured jitter value is outside the 12% tolerance range, adjust it to minimize the difference between the measured value and the displayed value.

Indicated on the LCD	Jitter value (%)	Indicated on the LCD	Jitter value (%)	Indicated on the LCD	Jitter value (%)
EF56	4.7	E79E	8.5	DFE6	12.3
EF22	4.8	E76A	8.6	DFB2	12.4
EEEE	4.9	E736	8.7	DF7E	12.5
EEBA	5.0	E702	8.8	DF4A	12.6
EE86	5.1	E6CE	8.9	DF16	12.7
EE52	5.2	E69A	9.0	DEE2	12.8
EE1E	5.3	E666	9.1	DEAE	12.9
EDEA	5.4	E632	9.2	DE7A	13.0
EDB6	5.5	E5FE	9.3	DE46	13.1
ED82	5.6	E5CA	9.4	DE12	13.2
ED4E	5.7	E596	9.5	DDDE	13.3
ED1A	5.8	E562	9.6	DDAA	13.4
ECE6	5.9	E52E	9.7	DD76	13.5
ECB2	6.0	E4FA	9.8	DD42	13.6
EC7E	6.1	E4C6	9.9	DD0E	13.7
EC4A	6.2	E492	10.0	DCDA	13.8
EC16	6.3	E45E	10.1	DCA6	13.9
EBE2	6.4	E42A	10.2	DC72	14.0
EBAE	6.5	E3F6	10.3	DC3E	14.1
EB7A	6.6	E3C2	10.4	DC0A	14.2
EB46	6.7	E38E	10.5	DBD6	14.3
EB12	6.8	E35A	10.6	DBA2	14.4
EADE	6.9	E326	10.7	DB6E	14.5
EAAA	7.0	E2F2	10.8	DB3A	14.6
EA76	7.1	E2BE	10.9	DB06	14.7
EA42	7.2	E28A	11.0	DAD2	14.8
EA0E	7.3	E256	11.1	DA9E	14.9
E9DA	7.4	E222	11.2	DA6A	15.0
E9A6	7.5	E1EE	11.3	DA36	15.1
E972	7.6	E1BA	11.4	DA02	15.2
E93E	7.7	E186	11.5	D9CE	15.3
E90A	7.8	E152	11.6	D99A	15.4
E8D6	7.9	E11E	11.7	D966	15.5
E8A2	8.0	E0EA	11.8	D932	15.6
E86E	8.1	E0B6	11.9	D8FE	15.7
E83A	8.2	E082	12.0	D8CA	15.8
E806	8.3	E04E	12.1	D896	15.9
E7D2	8.4	E01A	12.2	D862	16.0

Calculation	
Indicated on the LCD	Jitter (%)
E9A6	7.5

4.6 Operation procedures



A

B

Detailed error code (2 bytes) *Displayed with loading/ejection error only.

First byte	Higher 4 bits	Route NO. (Process of error occurrence) → Refer to charts 1.1 and 1.2.
	Lower 4 bits	Error type [1] Time out [2] Switch status error [3] Swinging error
Second byte	bit7	Disc type (0: 12 cm. 1: 8 cm)
	bit6,5	Fixed at 0
	bit4	SW 1 status
	bit3	SW 2 status
	bit2	SW 3 status
	bit1	SW 1 status
	bit0	RESET SW status

(Example) When a switch status error occurs during loading route 3 and the switch status is L/L/H/H/H (00111B = 07H), the error code and detailed error code become: [09 3207].

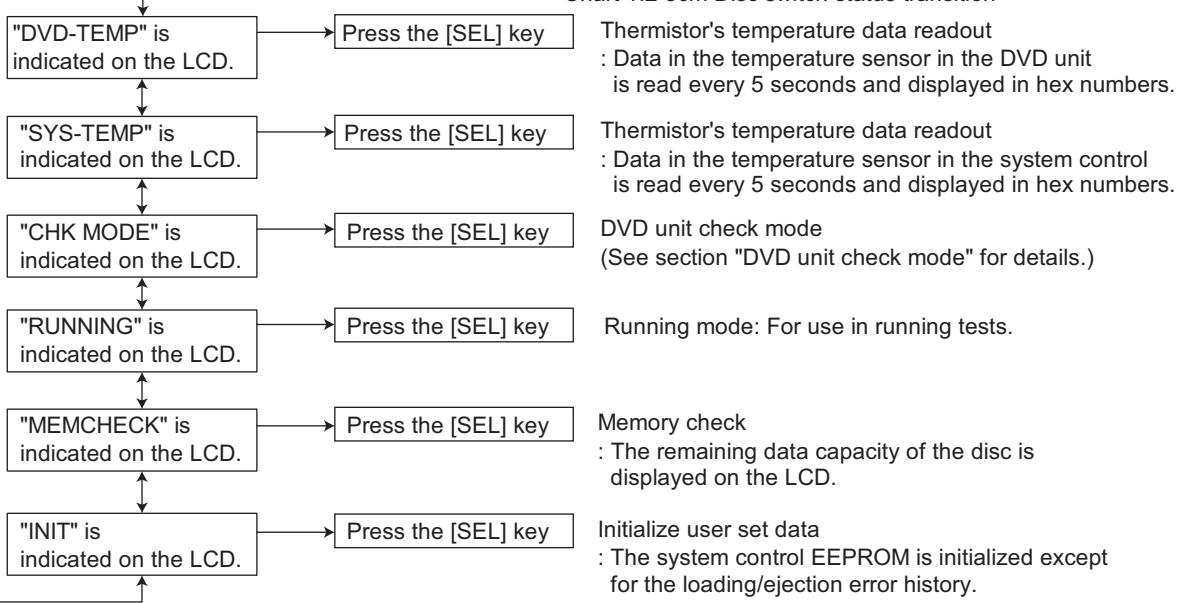
Route No.(EJECT route No.)	SW1/2/3/4	[Rest SW]	Loading	Eject	Reload
-	1,1,1,1	[0]	No Disc	No Disc	Disc push in
1(2)	0,1,1,1	[0]	Disc insert detection	↑	
1(2)	0,0,1,1	[0]	↓	Eject completion	↘
2(2)	0,0,0,1	[0]		Reload start	
2(2)	0,0,1,1	[0]		↑	
2(2)	0,1,1,1	[0]			
2(2)	1,1,1,1	[0]		↓	
3(1)	1,1,1,0	[0]			
3(1)	1,1,1,0	[1]	Load completion	Eject start	Load completion

Chart 1.1 12cm Disc switch status transition

Route No.(EJECT route No.)	SW1/2/3/4	[Rest SW]	Loading*	Eject	Reload
-	1,1,1,1	[0]	No Disc	No Disc	Disc push in
1(2)	0,1,1,1	[0]	Disc insert detection	Eject completion	↘
1(2)	0,0,1,1	[0]	↓	↑	Reload start
2(2)	0,1,1,1	[0]			
2(2)	1,1,1,1	[0]			
3(1)	1,1,1,0	[0]			
3(1)	1,1,1,0	[1]			Load completion

*Transition in the center loading (Similar to 12cm in the side loading)

Chart 1.2 8cm Disc switch status transition



4.7 DVD unit check mode

Change LCD indication with a [FF ►►] button and a [REW ◀◀] button.

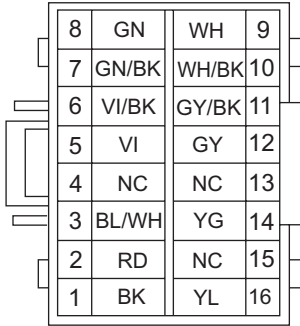
Check item list

No.	A/D key	DVD unit operation	Example of LCD indication	Indication contents
1	[1]	Start at normal speed (After start, it is measured JITTER on the internal position)	NORMPLAY CUR * * * * JIT * * * *	Laser current value Jitter value
2	[2]	Tracking off on the outermost position of CD	EF-BAL OUTTROFF	For EF phase error
3	[3]	Tracking off on the innermost position of CD	EF-BAL INNTROFF	For EF phase error
4	[4]	CD_LD lights and laser current is displayed	CDLD ON CUR * * * * JIT * * * *	Laser current value Jitter value
5	[5]	DVD_LD lights and laser current is displayed	DVDLD ON CUR * * * * JIT * * * *	Laser current value Jitter value
6	[6]	DVD x1 jitter measuring mode (for use in mechanism measurement)	DVDx1JIT CUR * * * * JIT * * * *	Laser current value Jitter value
7	[DISP]	Indication of EEPROM contents	ROM DATA ADDR * * * * DATA * * * *	EEPROM address EEPROM contents
8	[SOURCE]	Initialization of EEPROM contents	ROMCLEAR	
9	[SEL]	Indication of temperature	TEMP TEMP * * * *	Temperature
10	[MODE]	Search & jitter measurement to an appointed position of DVD	DVD JIT PLC * * * * JIT * * * *	(Position measured with VT-501 jitter value)
11	[BAND]	Setting of MONITOR terminal	MONITOR M1 * * * * M2 * * * *	
12	[DISC UP ▲]	DVDx1 double speed start (After start, it is measured JITTER on the internal position)	PLAY CUR * * * * JIT * * * *	Laser current value Jitter value
13	[DISC DW ▼]	Disc stopped & LD-OFF	STOP	

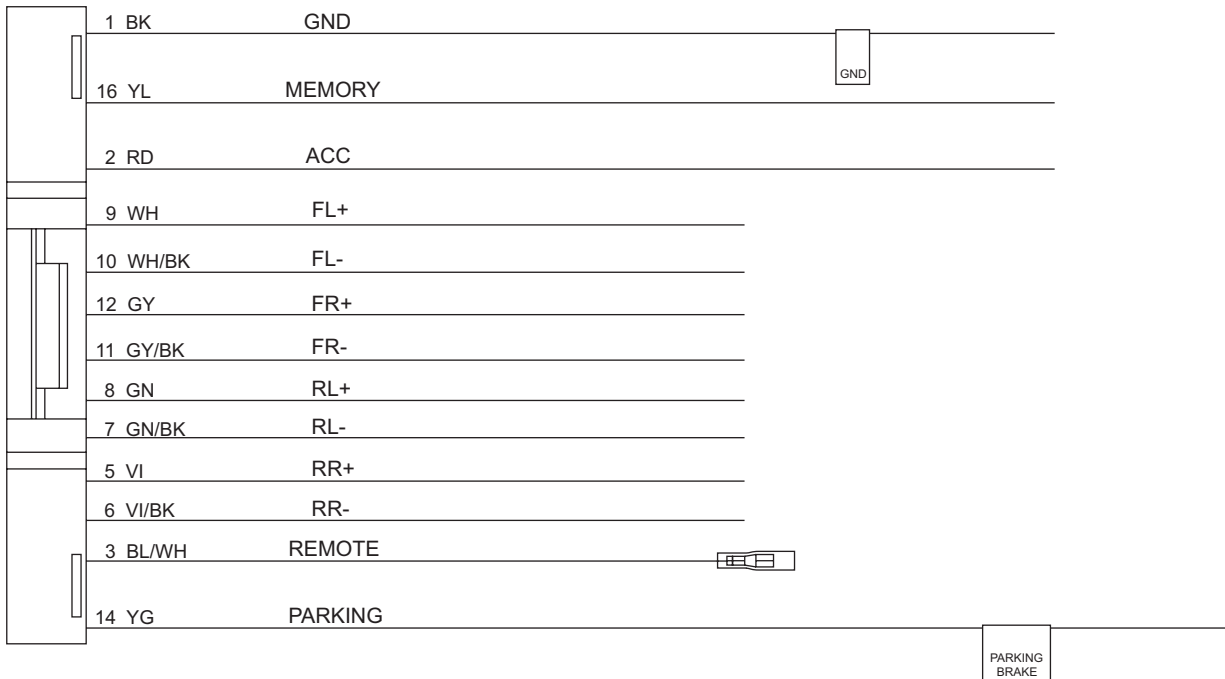
- Note
- In the case of the jitter measurement: Begin a service mode after insert a disc.
 - Press key [1] of No.1 before an item in which the No.2 or 3 key is pressed.
 - Press key [1] of No.1 or key [12] of No.12 before an item in which the No.10 key is pressed and confirm the indication of jitter value on the LCD.
 - No.6 starts only a DVD1 layer disc. Even other discs start DVD1 layer.
 - When No.1 and No.12 are pushed after jitter indication, a focus jump is executed. (only DVD2 layer)
 - Stop a disc before OPEN, CLOSE by all means.(OPEN and CLOSE are not executed in a disc turn.)
 - The check mode can be exited either by pressing the [POWER] key or by resetting the unit.

SECTION 5 TROUBLESHOOTING

5.1 16PIN CORD DIAGRAM (for KD-ADV5380, KD-DV5300)



BK	Black	GN	Green
RD	Red	VI	Violet
BL	Blue	GY	Gray
WH	White	YL	Yellow
		YG	Yellow Green



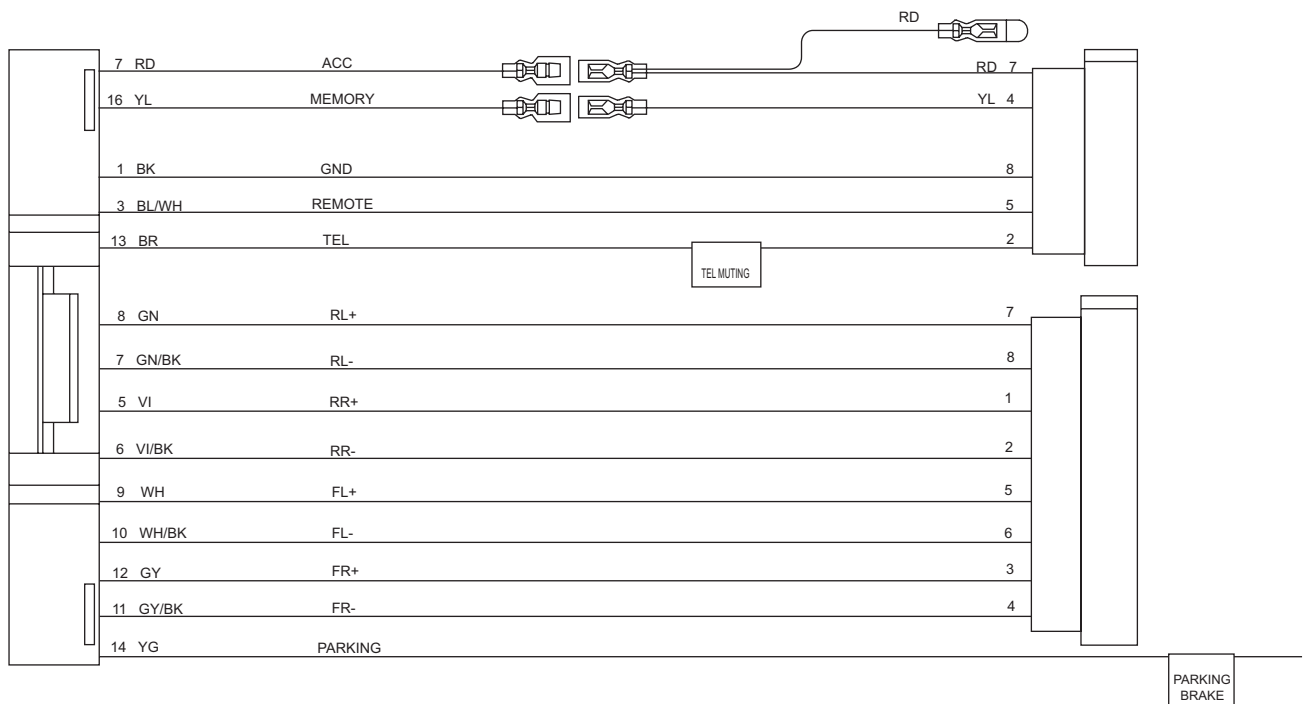
RR	Rear Right	ACC	ACC Line
FR	Front Right	GND	Ground
FL	Front Left	MEMORY	Memory Backup Battery+
RL	Rear Left	PARKING	Parking Brake
REMOTE	Remote		

5.2 16 PIN CORD DIAGRAM (for KD-DV5301, KD-DV5302, KD-DV5307, KD-DV5308)

8	GN	WH	9
7	GN/BK	WH/BK	10
6	VI/BK	GY/BK	11
5	VI	GY	12
4	NC	BR	13
3	BL/WH	YG	14
2	RD	NC	15
1	BK	YL	16

BK	Black	GN	Green
RD	Red	VI	Violet
BL	Blue	GY	Gray
WH	White	YL	Yellow
BR	Brown	YG	Yellow Green

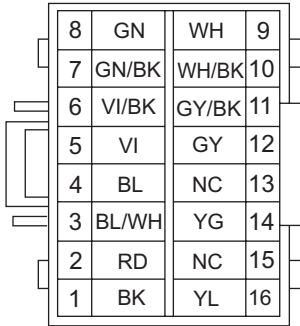
1	NC	BR	2
3	NC	YL	4
5	BL/WH	NC	6
7	RD	BK	8



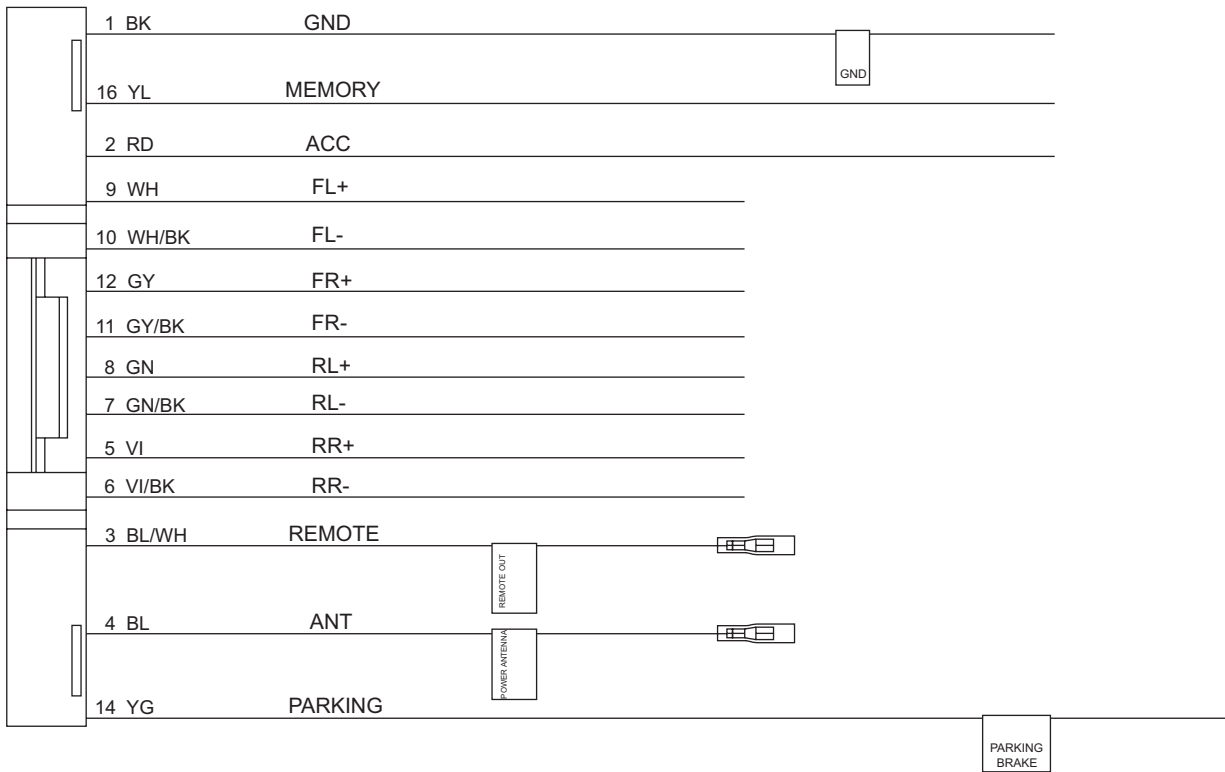
1	VI	VI/BK	2
3	GY	GY/BK	4
5	WH	WH/BK	6
7	GN	GN/BK	8

RR	Rear Right	ACC	ACC Line
FR	Front Right	TEL	Telephone Muting
FL	Front Left	GND	Ground
RL	Rear Left	MEMORY	Memory Backup Battery+
REMOTE	Remote	PARKING	Parking Brake

5.3 16PIN CORD DIAGRAM (for KD-DV5304, KD-DV5305, KD-DV5306, KD0DV4304, KD-DV4305, KD-DV4306)

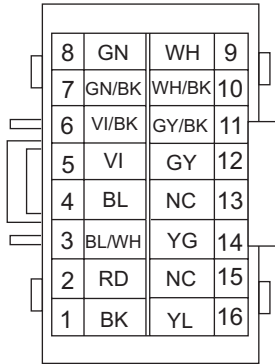


BK	Black	GN	Green
RD	Red	VI	Violet
BL	Blue	GY	Gray
WH	White	YL	Yellow
		YG	Yellow Green

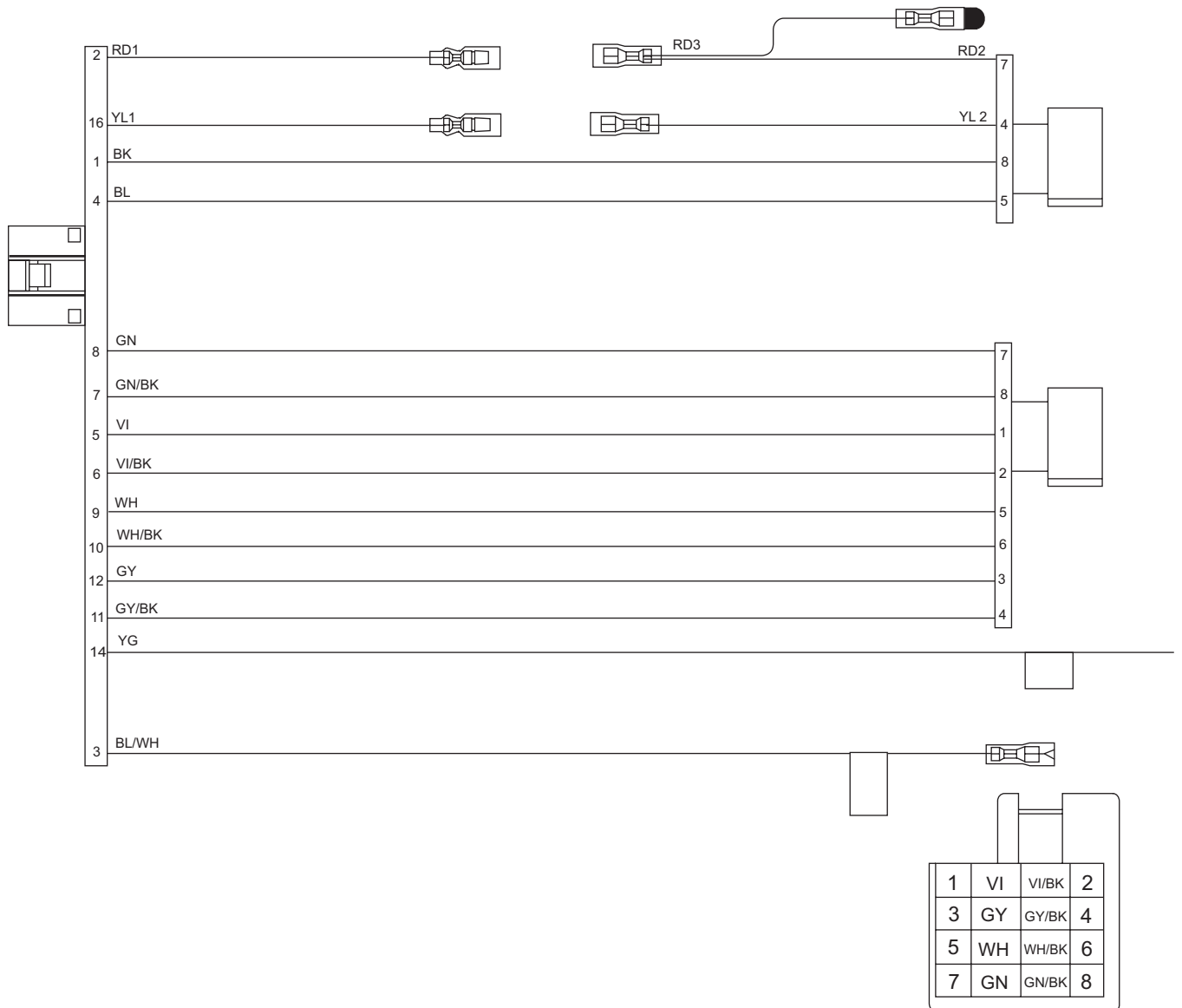
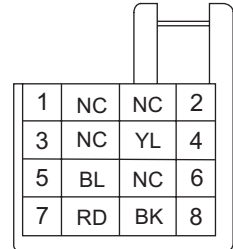


RR	Rear Right	ACC	ACC Line
FR	Front Right	GND	Ground
FL	Front Left	MEMORY	Memory Backup Battery+
RL	Rear Left	PARKING	Parking Brake
REMOTE	Remote	ANT	Auto Antenna

5.4 16 PIN CORD DIAGRAM (for KD-DV5388, KD-DV4388)

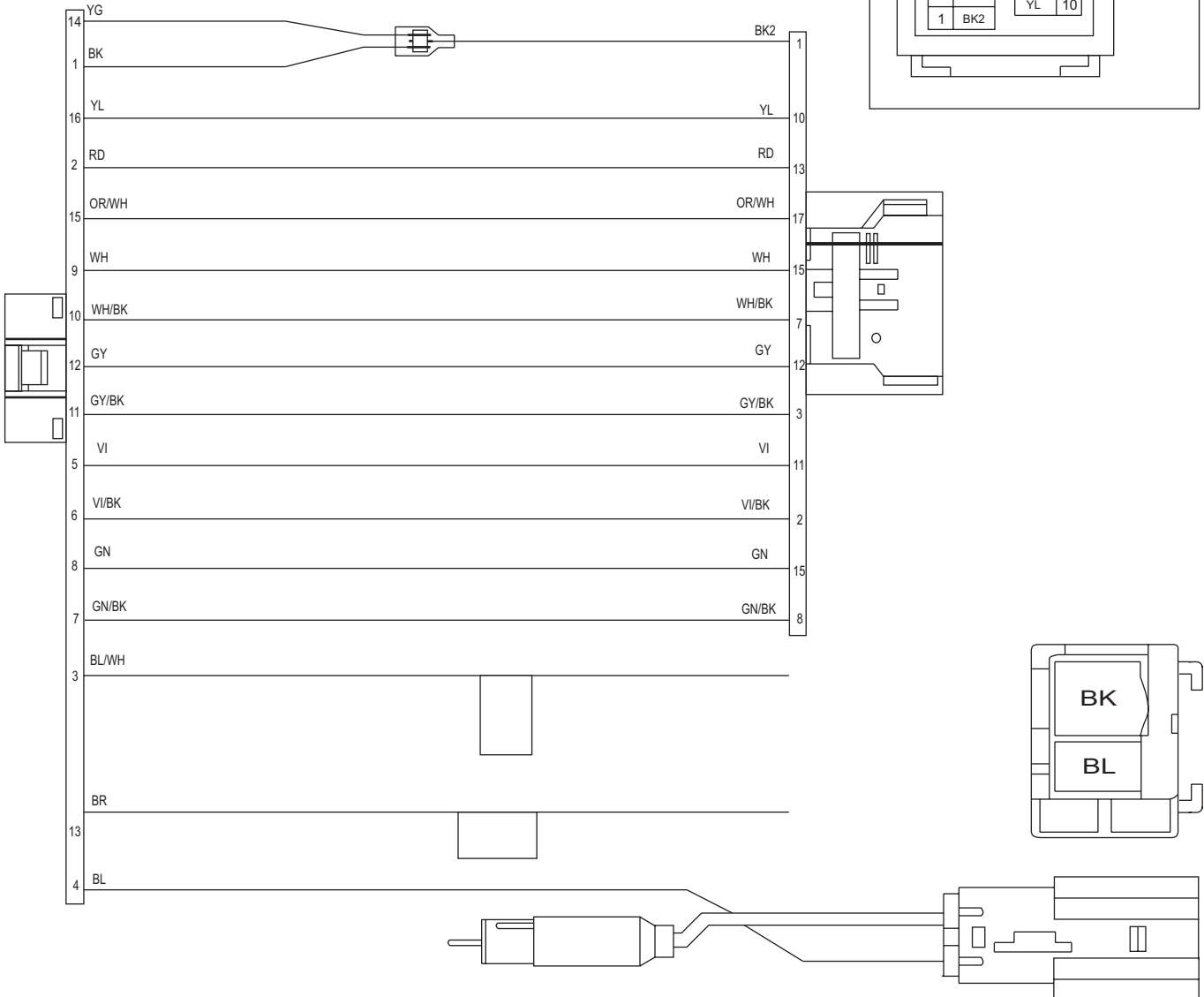
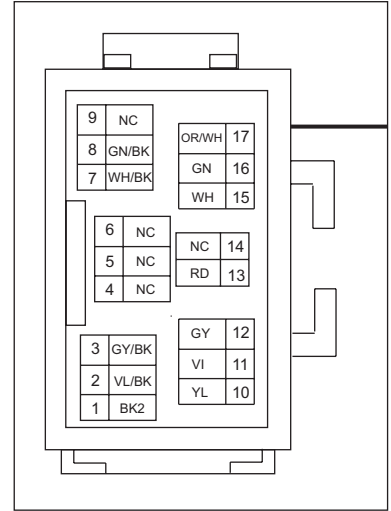
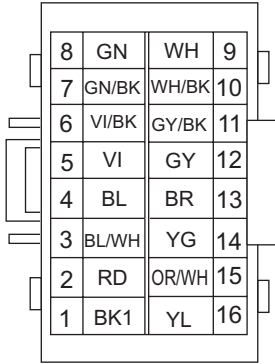


BK	Black	GN	Green
RD	Red	VI	Violet
BL	Blue	GY	Gray
WH	White	YL	Yellow
BR	Brown	YG	YellowGreen



5.5 16 PIN CORD DIAGRAM (for KD-DVH426)

BK	Black	GN	Green
RD	Red	VI	Violet
BL	Blue	GY	Gray
WH	White	YL	Yellow
BR	Brown	YG	YellowGreen
OR	Orange		





JVC

Victor company of Japan, Limited
Mobile Entertainment Business Group Mobile Entertainment Category 10-1,1chome,Ohwatari-machi,Maebashi-city,Gumma-ken, 371-8543,Japan

(No.MA308)

PARTS LIST

KD-ADV5380J,KD-DV5300J,KD-DV5301E
KD-DV5301EU,KD-DV5302E,KD-DV5302EU
KD-DV5304UI,KD-DV5305U,KD-DV5305UN
KD-DV5305UT,KD-DV5305A,KD-DV5306U
KD-DV5306UN,KD-DV5306UT,KD-DV5306A
KD-DV5307EE,KD-DV5308EE,KD-DV5388UF
KD-DV4304UI,KD-DV4305U,KD-DV4305UN
KD-DV4305UT,KD-DV4305A,KD-DV4306U
KD-DV4306UN,KD-DV4306UT,KD-DV4306A
KD-DV4388UF,KD-DVH426UN

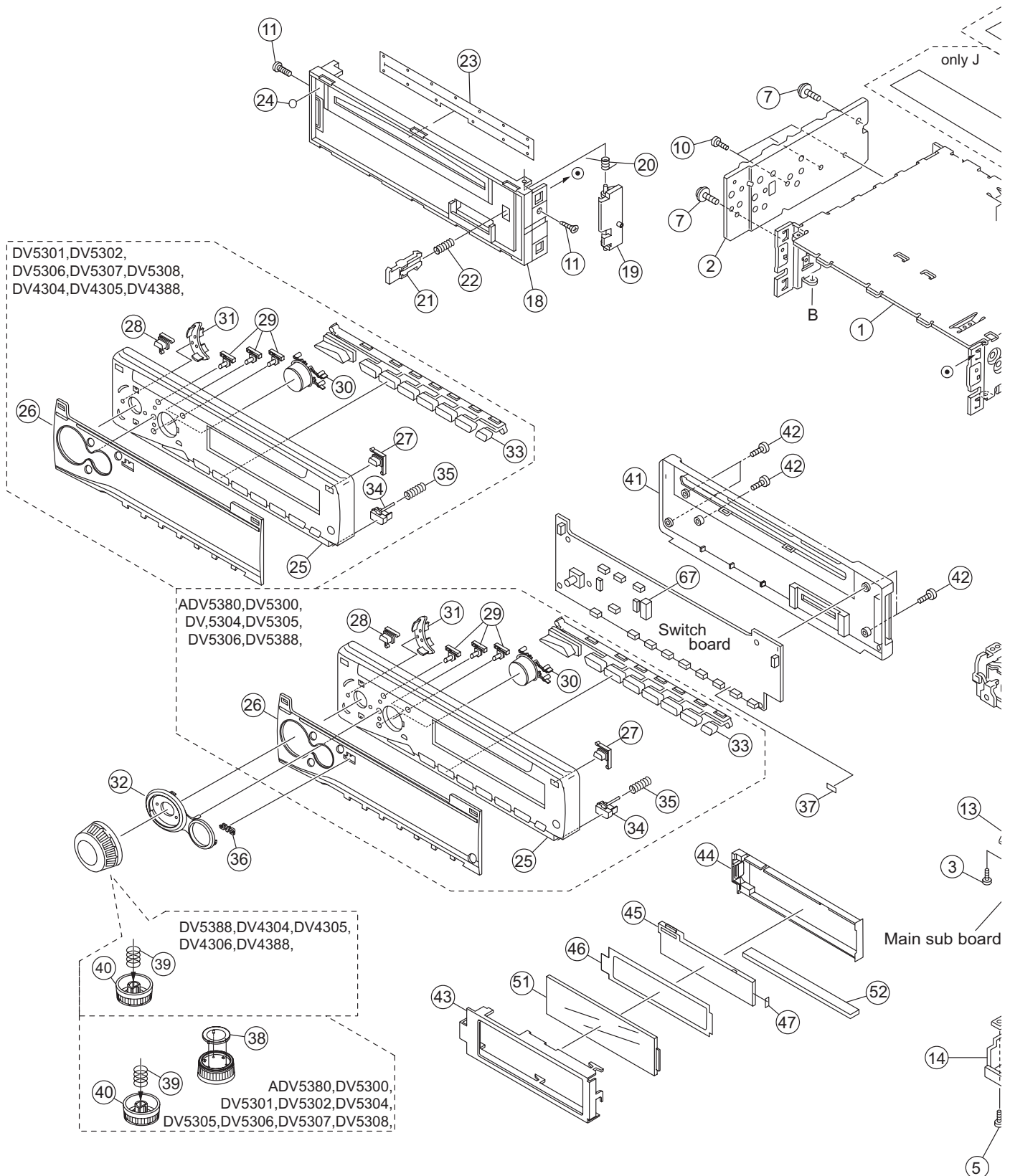
* All printed circuit boards and its assemblies are not available as service parts.

- Contents -

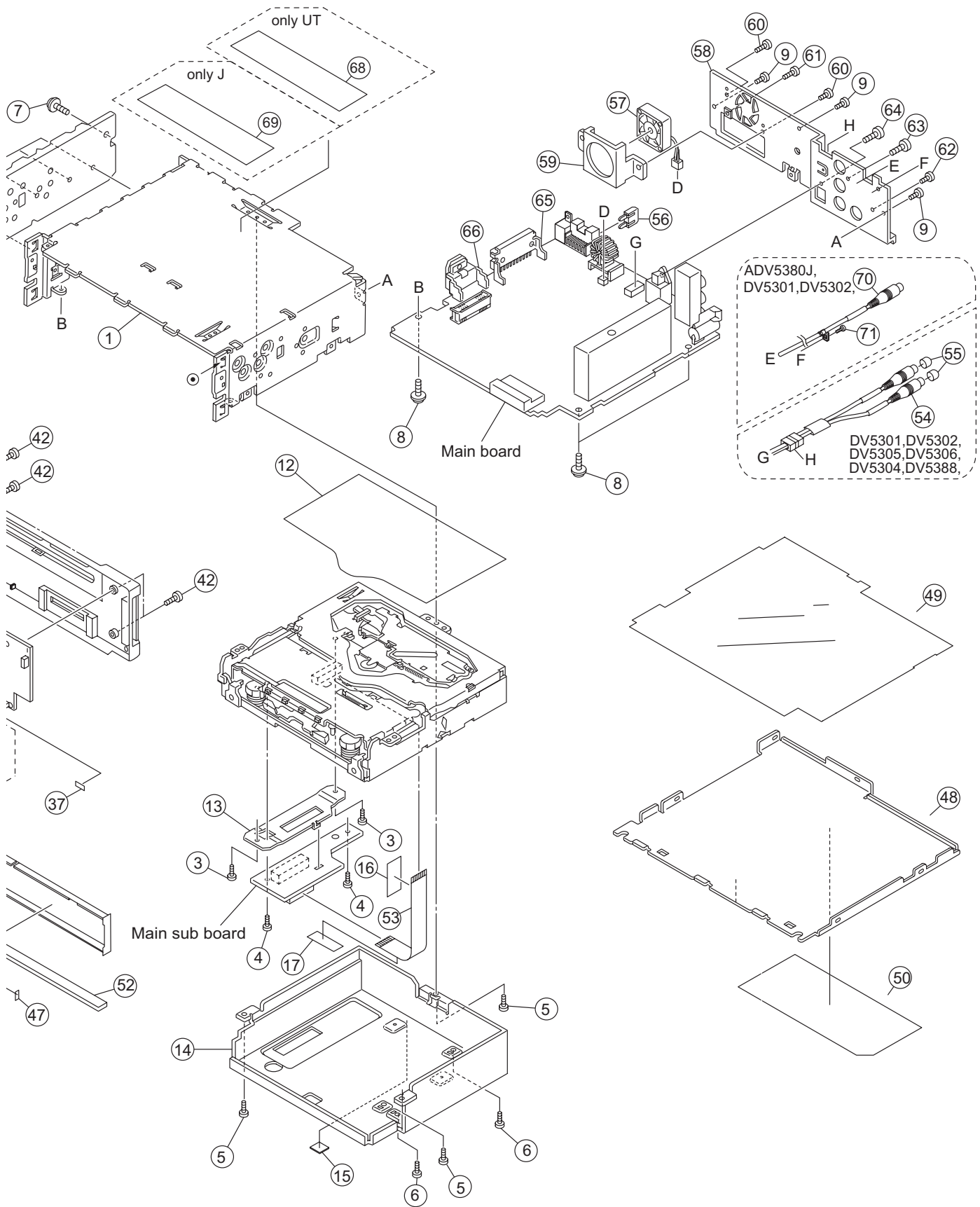
Exploded view of general assembly and parts list (Block No.M1)	3- 2
Exploded view of general assembly and parts list (Block No.M2)	3- 6
DVD mechanism assembly and parts list (Block No.MJ)	3- 9
DVD mechanism assembly and parts list (Block No.MU).....	3-12
Electrical parts list (Block No.01~12)	3-15
Packing materials and accessories parts list (Block No.M3)	3-48

Exploded view of general assembly and parts list (Except DVH426)

Block No. **M 1 M M**



3. M 1 M M



General Assembly(Except DVH426)

Block No. [M][1][M][M]

Symbol No.	Part No.	Part Name	Description	Local
1	LV10774-009A	TOP CHASSIS		
2	LV34061-001A	SIDE HEAT SINK		
3	QYSDST2003ZA	TAP SCREW	M2 x 3mm(x2)	
4	QYSDST2606ZA	TAP SCREW	M2.6 x 6mm(x2)	
5	QYSDST2604ZA	TAP SCREW	M2.6 x 4mm(x3)	
6	QYSDST2604ZA	TAP SCREW	M2.6 x 4mm(x2)	
7	GE40377-001A	SCREW	(x2)	
8	GE40377-002A	SCREW	(x3)	
9	QYSDST2604ZA	TAP SCREW	M2.6 x 4mm(x3)	
10	LV41200-005A	SCREW	(x3)	
11	QYSDST2004ZA	TAP SCREW	M2 x 4mm(x2)	
12	LV34460-001A	INSULATOR		
13	GE40311-002A	SUP BRACKET		
14	GE20192-001A	DUST COVER		
15	GE40218-034A	SHEET		
16	GE40278-001A	SHEET		
17	GE40278-002A	SHEET		
18	GE10138-002A	FRONT CHASSIS		
19	GE32335-001A	LOCK LEVER		
20	GE40269-001A	TORSION SPRING		
21	GE31978-001A	RLS KNOB		
22	GE30999-003A	COMP.SPRING		
23	GE40294-002A	BLIND		
24	FSYH4036-098	SHEET		
25	GE10185-002A	FRONT PANEL		ADV5380J
25	GE10185-001A	FRONT PANEL		DV5300J
25	GE10185-004A	FRONT PANEL		DV5301E, DV5301EU, DV5304UI, DV5305U, DV5305UN, DV5305UT, DV5305A, DV5308EE, DV4304UI, DV4305U, DV4305UN, DV4305UT, DV4305A, DV5302E, DV5302EU, DV5306U, DV5306UN, DV5306UT, DV5306A, DV5307EE, DV5388UF, DV4306U, DV4306UN, DV4306UT, DV4306A, DV4388UF
25	GE10185-003A	FRONT PANEL		ADV5380J
26	GE32341-015A	FINDER ASSY		DV5300J
26	GE32341-016A	FINDER ASSY		DV5301E, DV5301EU
26	GE32633-018A	FINDER ASSY		DV5302E, DV5302EU
26	GE32633-016A	FINDER ASSY		DV5304UI
26	GE32341-020A	FINDER ASSY		DV5305U, DV5305UN, DV5305UT, DV5305A
26	GE32341-017A	FINDER ASSY		DV5306U, DV5306UN, DV5306UT, DV5306A
26	GE32341-018A	FINDER ASSY		DV5307EE
26	GE32633-015A	FINDER ASSY		DV5308EE
26	GE32633-023A	FINDER ASSY		DV5388UF
26	GE32341-014A	FINDER ASSY		DV4304UI
26	GE32633-020A	FINDER ASSY		DV4305U, DV4305UN, DV4305UT, DV4305A
26	GE32633-021A	FINDER ASSY		DV4306U, DV4306UN, DV4306UT, DV4306A
26	GE32633-022A	FINDER ASSY		DV4388UF
26	GE32633-017A	FINDER ASSY		
26	GE32633-017A	FINDER ASSY		
27	GE32344-001A	POWER BTN		
28	GE32346-001A	EJECT BTN		
29	GE32342-001A	PUSH BTN	(x3)	
30	GE32340-001A	NAVI BTN		
31	GE32338-001A	RIM LENS		
32	GE32339-005A	RIM COVER		ADV5380J, DV5302E, DV5302EU, DV5306U, DV5306UN, DV5306UT, DV5306A, DV5307EE, DV5388UF, DV4306U, DV4306UN, DV4306UT, DV4306A, DV4388UF
32	GE32339-002A	RIM COVER		DV5300J, DV5301E, DV5301EU, DV5304UI, DV5305U, DV5305UN, DV5305UT, DV5305A, DV5308EE, DV4304UI, DV4305U, DV4305UN, DV4305UT, DV4305A
33	GE20211-001A	PRESET BTN		ADV5380J, DV5302E, DV5302EU, DV5306U, DV5306UN, DV5306UT, DV5306A, DV5307EE, DV5388UF, DV4306U, DV4306UN, DV4306UT, DV4306A, DV4388UF
33	GE20211-004A	PRESET BTN		DV5300J
33	GE20211-003A	PRESET BTN		DV5301E, DV5301EU, DV5304UI, DV5305U, DV5305UN, DV5305UT, DV5305A, DV5308EE, DV4304UI, DV4305U, DV4305UN, DV4305UT, DV4305A
34	GE32345-004A	DETACH BTN		ADV5380J, DV5302E, DV5302EU, DV5306U, DV5306UN, DV5306UT, DV5306A, DV5307EE, DV5388UF, DV4306U, DV4306UN, DV4306UT, DV4306A, DV4388UF
34	GE32345-006A	DETACH BTN		DV5300J
34	GE32345-003A	DETACH BTN		DV5301E, DV5301EU, DV5304UI, DV5305U, DV5305UN, DV5305UT, DV5305A, DV5308EE, DV4304UI, DV4305U, DV4305UN, DV4305UT, DV4305A
35	GE40202-017A	COMP.SPRING		
36	GE40347-001A	JVC BADGE		

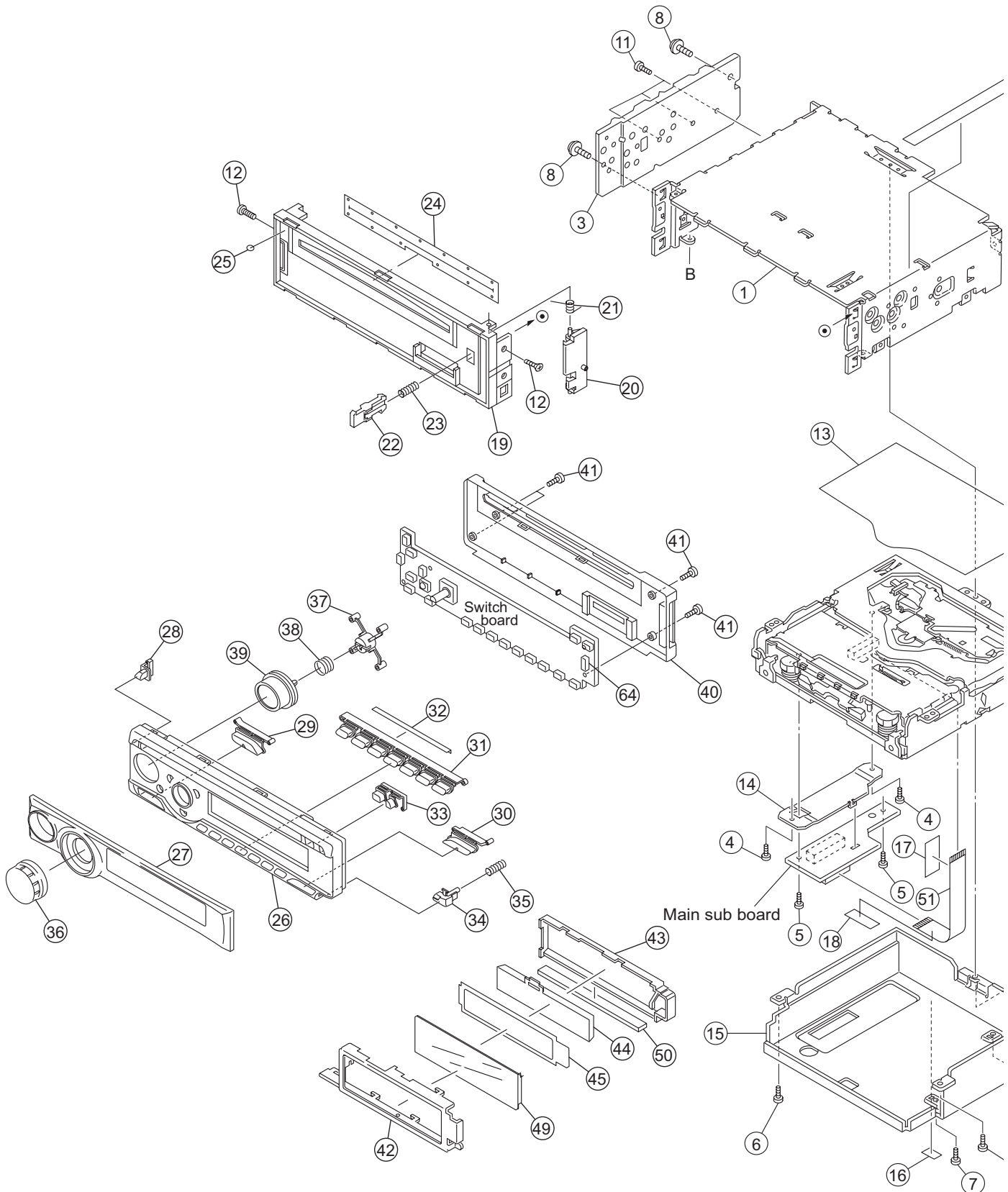
△△ Symbol No.	Part No.	Part Name	Description	Local
37	FSYH4036-069	SHEET		ADV5380J, DV5300J, DV5301E, DV5301EU, DV5302E, DV5302EU, DV5304UI, DV5305U, DV5305UN, DV5305UT, DV5305A, DV5306U, DV5306UN, DV5306UT, DV5306A, DV5307EE, DV5308EE
38	GE40370-001A	VOL TOP ASSY		
39	GE40127-001A	KNOB SPRING		
40	GE32337-003A	VOL KNOB		ADV5380J, DV5302E, DV5302EU, DV5306U, DV5306UN, DV5306UT, DV5306A, DV5307EE
40	GE32337-004A	VOL KNOB		DV5300J, DV5301E, DV5301EU, DV5304UI, DV5305U, DV5305UN, DV5305UT, DV5305A, DV5308EE
40	GE32330-001A	VOL KNOB		DV5388UF, DV4306U, DV4306UN, DV4306UT, DV4306A, DV4388UF
40	GE32330-002A	VOL KNOB		DV4304UI, DV4305U, DV4305UN, DV4305UT, DV4305A
41	GE10186-001A	REAR COVER		
42	VKZ4777-010	MINI SCREW	(x5)	
43	GE32349-001A	LCD CASE		
44	GE32472-001A	LENS CASE		
45	GE32473-001A	LENS		
46	GE40378-001A	LIGHTING SHEET		
47	FSYH4036-069	SHEET		
48	LV34058-003A	BOTTOM COVER		
49	GE32174-001A	INSULATOR		
50	GE32609-001A	NAME PLATE		ADV5380J
50	GE32606-001A	NAME PLATE		DV5300J
50	GE32597-001A	NAME PLATE		DV5301E, DV5301EU
50	GE32600-001A	NAME PLATE		DV5302E, DV5302EU
50	GE32625-001A	NAME PLATE		DV5304UI
50	GE32614-001A	NAME PLATE		DV5305U, DV5305UN, DV5305UT
50	GE32620-001A	NAME PLATE		DV5305A
50	GE32617-001A	NAME PLATE		DV5306U, DV5306UN, DV5306UT
50	GE32621-001A	NAME PLATE		DV5306A
50	GE32603-001A	NAME PLATE		DV5307EE
50	GE32793-001A	NAME PLATE		DV5308EE
50	GE32628-001A	NAME PLATE		DV5388UF
50	GE32591-001A	NAME PLATE		DV4304UI
50	GE32552-001A	NAME PLATE		DV4305U, DV4305UN, DV4305UT
50	GE32612-001A	NAME PLATE		DV4305A
50	GE32555-001A	NAME PLATE		DV4306U, DV4306UN, DV4306UT
50	GE32613-001A	NAME PLATE		DV4306A
50	GE32594-001A	NAME PLATE		DV4388UF
51	QLD0459-001	LCD MODULE		
52	QNZ0827-001	RUBBER CONN		
53	QUQP05-4510BB-E	FFC WIRE	45pin 10cm	
54	QAM0685-001	CAR CABLE		DV5301E, DV5301EU, DV5302E, DV5302EU, DV5304UI, DV5305U, DV5305UN, DV5305UT, DV5305A, DV5306U, DV5306UN, DV5306UT, DV5306A, DV5388UF
55	VYTA500-001	PIN CAP	(x2)	DV5301E, DV5301EU, DV5302E, DV5302EU, DV5304UI, DV5305U, DV5305UN, DV5305UT, DV5305A, DV5306U, DV5306UN, DV5306UT, DV5306A, DV5388UF
△ 56	QMFZ039-150-T	FUSE	15A	
57	QAR0353-001	COOLING FAN		
58	GE31994-003A	REAR BRACKET		
59	GE40324-002A	FAN BRACKET		
60	QYSDST2604ZA	TAP SCREW	M2.6 x 4mm(x2)	
61	QYSDST2606ZA	TAP SCREW	M2.6 x 6mm	
62	GE40377-002A	SCREW		
63	QYSDSF2606ZA	TAP SCREW	M2.6 x 6mm	
64	QYSDSF2606ZA	TAP SCREW	M2.6 x 6mm	
65	LV43349-002A	POWER IC BKT		
66	LV43373-002A	REGULATOR BKT		
67	GE30854-001A	LED HOLDER		
68	GE31574-067A	UT LABEL		DV5305UT
68	GE31574-068A	UT LABEL		DV5306UT
68	GE31574-065A	UT LABEL		DV4305UT
68	GE31574-066A	UT LABEL		DV4306UT
69	GE40387-003A	DTS LABEL		ADV5380J, DV5300J
70	QAM0991-001	CAR CABLE		ADV5380J, DV5301E, DV5301EU, DV5302E, DV5302EU
71	QYSDST2604ZA	TAP SCREW	M2.6 x 4mm	ADV5380J, DV5301E, DV5301EU, DV5302E, DV5302EU

Exploded view of general assembly and parts list

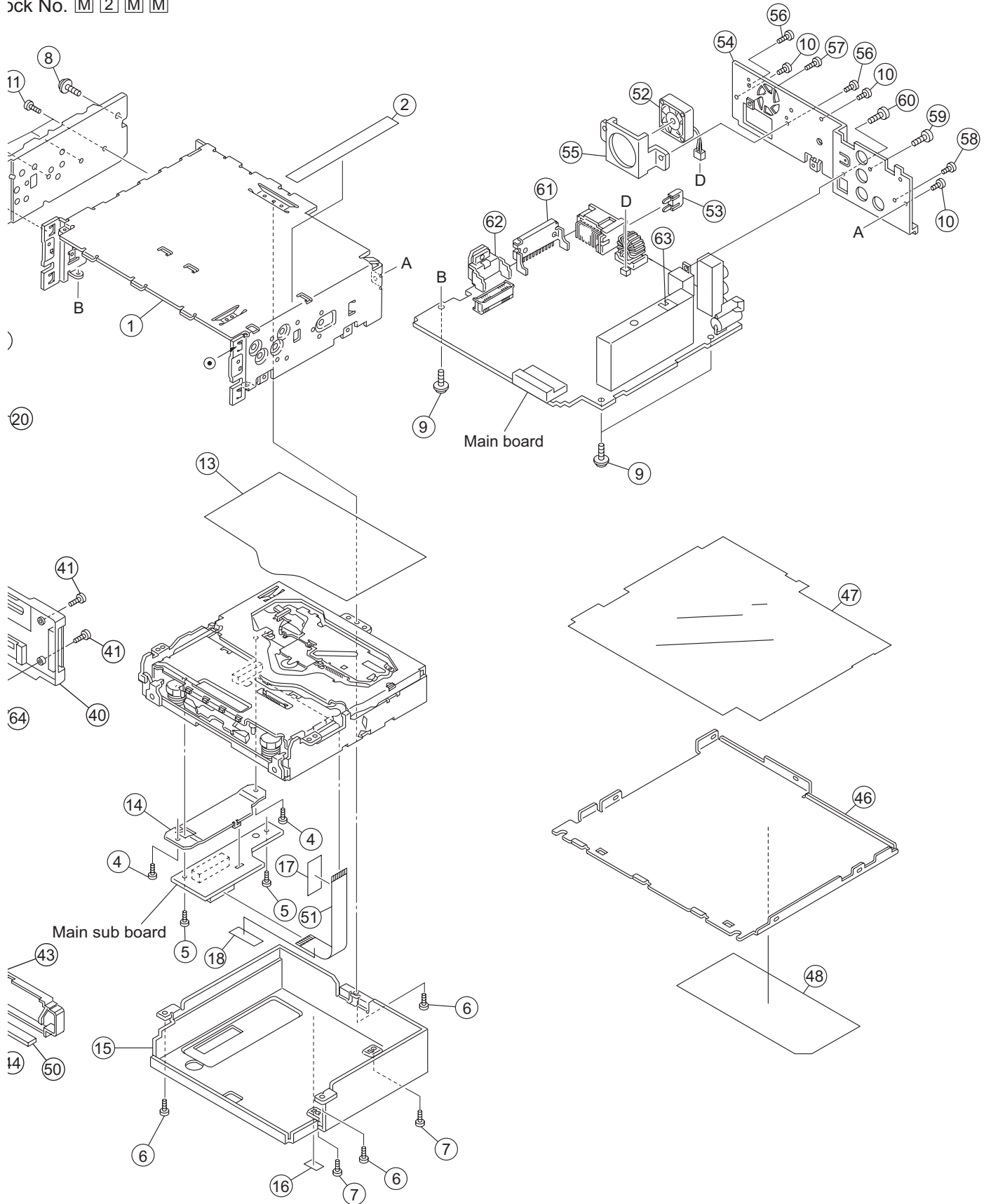
(Only DVH426)

Block No.

M	2	M	M
---	---	---	---



ock No. **M** **2** **M** **M**



General Assembly(Only DVH426)

Block No. [M][2][M][M]

△	Symbol No.	Part No.	Part Name	Description	Local
	1	LV10774-008A	TOP CHASSIS		
	2	LV40848-044A	SPACER(P)		
	3	LV34061-001A	SIDE HEAT SINK		
	4	QYSDST2003ZA	TAP SCREW	M2 x 3mm(x2)	
	5	QYSDST2606ZA	TAP SCREW	M2.6 x 6mm(x2)	
	6	QYSDST2604ZA	TAP SCREW	M2.6 x 4mm(x3)	
	7	QYSDST2604ZA	TAP SCREW	M2.6 x 4mm(x2)	
	8	GE40377-001A	SCREW	(x2)	
	9	GE40377-002A	SCREW	(x3)	
	10	QYSDST2604ZA	TAP SCREW	M2.6 x 4mm(x3)	
	11	LV41200-005A	SCREW	(x3)	
	12	QYSDST2004ZA	TAP SCREW	M2 x 4mm(x2)	
	13	LV34460-001A	INSULATOR		
	14	GE40255-001A	SUPPORT BRACKET		
	15	GE20180-001A	DUST COVER		
	16	GE40218-034A	SHEET		
	17	GE40278-001A	SHEET		
	18	GE40278-002A	SHEET		
	19	GE10138-002A	FRONT CHASSIS		
	20	GE31569-002A	LOCK LEVER		
	21	GE40269-001A	TORSION SPRING		
	22	GE31978-001A	RLS KNOB		
	23	GE30999-003A	COMP.SPRING		
	24	GE40294-002A	BLIND		
	25	FSYH4036-098	SHEET		
	26	GE10144-014A	FRONT PANEL		
	27	GE31985-048A	FINDER ASSY		
	28	GE31968-002A	POWER BUTTON		
	29	GE31993-003A	SRC BUTTON		
	30	GE32000-003A	DISP BUTTON		
	31	GE20191-003A	PRESET BUTTON		
	32	GE40218-046A	SHEET		
	33	GE31991-006A	EJECT BUTTON		
	34	GE31990-001A	DETACH BUTTON		
	35	GE40202-017A	COMP.SPRING		
	36	GE40315-001A	VOL KNOB ASSY		
	37	GE31989-001A	NAVI BASE		
	38	GE40127-002A	COMP.SPRING		
	39	GE40316-007A	NAVI BTN ASSY		
	40	GE10146-001A	REAR COVER		
	41	VKZ4777-010	MINI SCREW	(x4)	
	42	GE31995-001A	LCD CASE		
	43	GE31998-001A	LENS CASE		
	44	GE31999-001A	LCD LENS		
	45	GE40300-001A	LIGHTING SHEET		
	46	LV34058-003A	BOTTOM COVER		
	47	GE32174-001A	INSULATOR		
	48	GE32803-001A	NAME PLATE		
	49	QLD0502-001	LCD MODULE		
	50	QNZ0827-001	RUBBER CONN		
	51	QUQP05-4510BB-E	FFC WIRE	45pin 10cm	
	52	QAR0353-001	COOLING FAN		
△	53	QMFZ039-150-T	FUSE	15A	
	54	GE31994-003A	REAR BRACKET		
	55	GE40324-002A	FAN BRACKET		
	56	QYSDST2604ZA	TAP SCREW	M2.6 x 4mm(x2)	
	57	QYSDST2606ZA	TAP SCREW	M2.6 x 6mm	
	58	GE40377-002A	SCREW		
	59	QYSDSF2606ZA	TAP SCREW	M2.6 x 6mm	
	60	QYSDSF2606ZA	TAP SCREW	M2.6 x 6mm	
	61	LV43349-002A	POWER IC BKT		
	62	LV43373-002A	REGULATOR BKT		
	63	VMA4652-001SS	EARTH PLATE		
	64	GE30854-001A	LED HOLDER		

DVD mechanism assembly and parts list

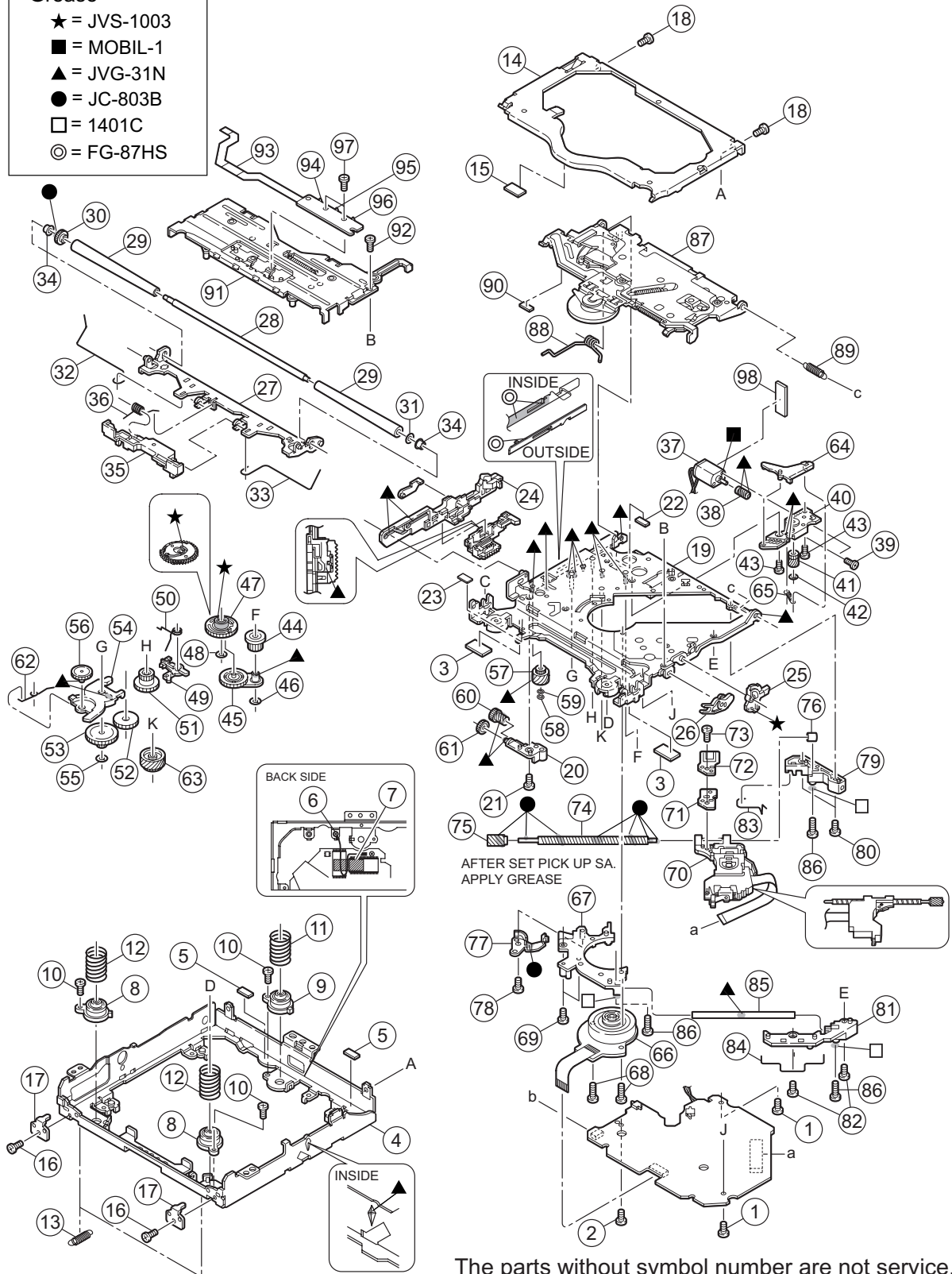
(Except DVH426)

FMU-JD8-1D

Block No. M J M M

Grease

- ★ = JVS-1003
- = MOBIL-1
- ▲ = JVG-31N
- = JC-803B
- = 1401C
- ◎ = FG-87HS



The parts without symbol number are not service.

DVD mechanism(Except DVH426)

Block No. [M][J][M][M]

△	Symbol No.	Part No.	Part Name	Description	Local
	1	VKZ4539-056	MINI SCREW	(x2)	
	2	QYSPSFT2040ZA	TAP SCREW	M2 x 4mm	
	3	LV43481-001A	COOLING RUBBER	(x2)	
	4	LV10674-001A	CHASSIS FRAME		
	5	LV30225-0J6A	SPACER	(x2)	
	6	VKZ4539-056	MINI SCREW		
	7	VYSA1R4-056	SPACER		
	8	LV35272-001A	DAMPER(F)	(x2)	
	9	LV35273-001A	DAMPER(R)		
	10	QYSDST2005ZA	TAP SCREW	M2 x 5mm(x3)	
	11	LV43039-001A	DAMPER SP.(R)		
	12	LV43849-001A	DAMPER SP(F2)	(x2)	
	13	LV43041-001A	FLOATING SPRING	(x2)	
	14	LV10675-002A	TOP COVER		
	15	LV30225-0J5A	SPACER		
	16	VKZ4539-056	MINI SCREW	(x2)	
	17	LV33669-001A	STOPPER	(x2)	
	18	VKZ4539-056	MINI SCREW	(x2)	
	19	LV21297-004A	CHAS. BASE ASSY		
	20	LV33608-003A	GEAR HOLDER		
	21	VKZ4539-056	MINI SCREW		
	22	LV43561-002A	ABSORBER		
	23	LV30225-0J5A	SPACER		
	24	LV36831-001A	SLIDE CAM ASSY2		
	25	LV33610-002A	FLOATING ARM		
	26	LV33611-001A	CONNECT ARM		
	27	LV33678-003A	LOADING A. ASSY		
	28	LV43049-001A	LOADING SHAFT		
	29	LV43052-003A	ROLLER	(x2)	
	30	LV33612-001A	LOADING GEAR		
	31	QYWFM124013	WASHER	4mm/1.2mm x 0.13mm	
	32	LV43053-002A	ROD(L)		
	33	LV43054-003A	ROD(R)		
	34	LV43001-001A	COLLAR	(x2)	
	35	LV21285-003A	PROTECTOR		
	36	LV43055-001A	PROTECTOR SP.		
	37	QAR0373-002	MOTOR		
	38	LV43002-002A	WORM GEAR		
	39	QYSPSPT2025MA	SCREW	M2 x 2.5mm(x2)	
	40	LV33679-002A	MOTOR H. ASSY		
	41	LV33614-003A	WORM WHEEL		
	42	QYWDL1230250	SLIT WASHER	3mm/1.2mm x 0.25mm	
	43	VKZ4539-056	MINI SCREW	(x2)	
	44	LV33615-001A	GEAR 2		
	45	LV43057-004A	IDLER ARM ASSY		
	46	QYWDL1635252	SLIT WASHER	3.5mm/1.6mm x 0.25mm	
	47	LV21286-001A	CONTROL CAM		
	48	QYWDL1230196	SLIT WASHER	3mm/1.2mm x 0.19mm	
	49	LV33616-003A	LOAD LOCK LEV		
	50	LV43060-001A	CAM SPRING		
	51	LV43005-001A	GEAR 4		
	52	LV43006-003A	GEAR 5		
	53	LV33617-003A	GEAR 6		
	54	LV33618-002A	LOADING G. ARM		
	55	QYWDL1635252	SLIT WASHER	3.5mm/1.6mm x 0.25mm	
	56	LV43007-003A	GEAR 7		
	57	LV33619-002A	GEAR 8		
	58	LV42132-001A	E RING		
	59	QYWFM215013	WASHER	5mm/2.1mm x 0.13mm	
	60	LV33620-001A	GEAR 9		
	61	LV43008-001A	GEAR10		
	62	LV43061-001A	LOAD SPRING		
	63	LV33621-001A	FEED GEAR		
	64	LV33622-003A	TRIGGER ARM		
	65	LV43062-001A	FEED TRI.SPRING		
	66	QAR0240-002	SPINDEL MOTOR		
	67	LV21287-003A	SPINDLE BASE		
	68	LV44169-001A	SPECIAL SCREW	(x2)	
	69	VKZ4539-056	MINI SCREW	(x2)	
	70	QAL0901-001	PICK UP		
	71	LV34583-002A	CD RACK PLATE		
	72	LV34579-001A	CD RACK SPRING		
	73	LV43903-002A	MINI TAP SCREW		
	74	LV43037-001A	LEAD SCREW		

Symbol No.	Part No.	Part Name	Description	Local
75	LV43010-001A	L.S.GEAR		
76	LV43063-001A	L.S.COLLAR		
77	LV43011-001A	THRUST SPRING		
78	QYSPSFT2040ZA	TAP SCREW	M2 x 4mm	
79	LV33624-001A	HOLDER(M)		
80	VKZ4539-056	MINI SCREW	(x2)	
81	LV22130-001A	HOLDER(S) 2		
82	VKZ4539-056	MINI SCREW	(x2)	
83	LV43064-001A	ROD(M)		
84	LV43065-001A	ROD(S)		
85	LV43066-001A	SUB SHAFT		
86	VKZ4730-003	SPECIAL SCREW	(x3)	
87	LV21298-008A	CLAMPER UNIT		
88	LV43070-001A	CLAMPER SPRING		
89	LV43355-001A	CLAMPER2 SPRING		
90	LV30225-0J6A	SPACER		
91	LV22185-002A	FRONT UNIT (C)		
92	VKZ4539-056	MINI SCREW		
93	LVB30012-002A	SW FPC		
94	NSW0187-001	SWITCH	S1	
95	NSW0187-001	SWITCH	S1	
96	NSW0187-001	SWITCH	S1	
97	VKZ4539-055	MINI SCREW	(x2)	
98	VYSA1R3-035	SPACER		

DVD mechanism assembly and parts list

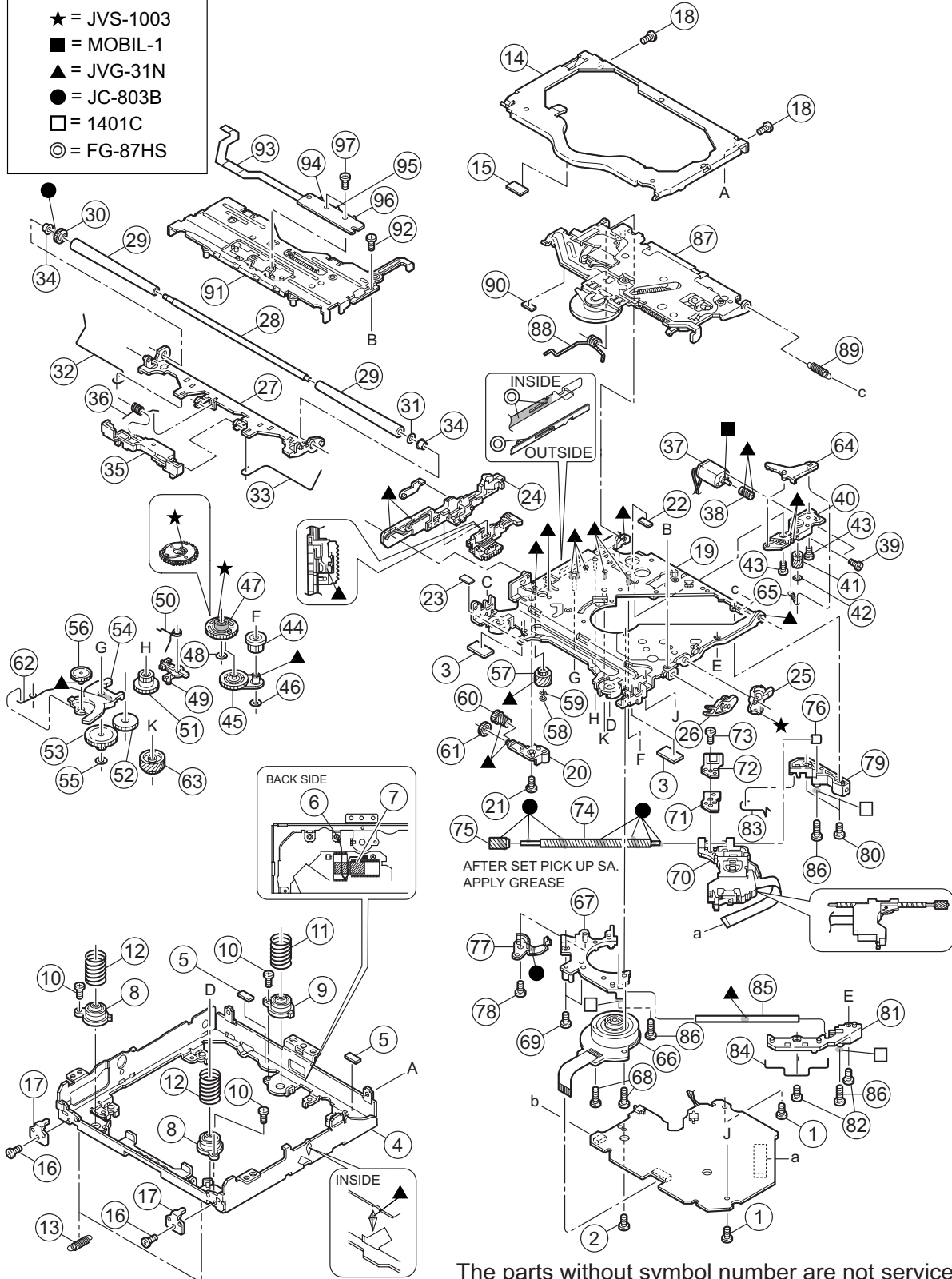
(Only DVH426)

FMU-JD5-2D

Block No. M U M M

Grease

- ★ = JVS-1003
- = MOBIL-1
- ▲ = JVG-31N
- = JC-803B
- = 1401C
- ◎ = FG-87HS



The parts without symbol number are not service.

DVD mechanism(Only DVH426)

Block No. [M][U][M][M]

△	Symbol No.	Part No.	Part Name	Description	Local
	1	VKZ4539-056	MINI SCREW	(x2)	
	2	QYSPSFT2040ZA	TAP SCREW	M2 x 4mm	
	3	LV43481-001A	COOLING RUBBER	(x2)	
	4	LV10674-001A	CHASSIS FRAME		
	5	LV30225-0J6A	SPACER	(x2)	
	6	VKZ4539-056	MINI SCREW		
	7	VYSA1R4-056	SPACER		
	8	LV35272-001A	DAMPER(F)	(x2)	
	9	LV35273-001A	DAMPER(R)		
	10	QYSDST2005ZA	TAP SCREW	M2 x 5mm(x3)	
	11	LV43039-001A	DAMPER SP.(R)		
	12	LV43849-001A	DAMPER SP(F2)	(x2)	
	13	LV43041-001A	FLOATING SPRING	(x2)	
	14	LV10675-001A	TOP COVER		
	15	LV30225-0J5A	SPACER		
	16	VKZ4539-056	MINI SCREW	(x2)	
	17	LV33669-001A	STOPPER	(x2)	
	18	VKZ4539-056	MINI SCREW	(x2)	
	19	LV21297-004A	CHAS. BASE ASSY		
	20	LV33608-002A	GEAR HOLDER		
	21	VKZ4539-056	MINI SCREW		
	22	LV43561-002A	ABSORBER		
	23	LV30225-0J5A	SPACER		
	24	LV36831-001A	SLIDE CAM ASSY2		
	25	LV33610-002A	FLOATING ARM		
	26	LV33611-001A	CONNECT ARM		
	27	LV33678-003A	LOADING A. ASSY		
	28	LV43049-001A	LOADING SHAFT		
	29	LV43052-003A	ROLLER	(x2)	
	30	LV33612-001A	LOADING GEAR		
	31	QYWFM124013	WASHER	4mm/1.2mm x 0.13mm	
	32	LV43053-002A	ROD(L)		
	33	LV43054-003A	ROD(R)		
	34	LV43001-001A	COLLAR	(x2)	
	35	LV21285-003A	PROTECTOR		
	36	LV43055-001A	PROTECTOR SP.		
	37	QAR0373-001	MOTOR		
	38	LV43002-002A	WORM GEAR		
	39	QYSPSPT2025MA	SCREW	M2 x 2.5mm(x2)	
	40	LV33679-001A	MOTOR H. ASSY		
	41	LV33614-003A	WORM WHEEL		
	42	QYWDL1230250	SLIT WASHER	3mm/1.2mm x 0.25mm	
	43	VKZ4539-056	MINI SCREW	(x2)	
	44	LV33615-001A	GEAR 2		
	45	LV43057-004A	IDLER ARM ASSY		
	46	QYWDL1635252	SLIT WASHER	3.5mm/1.6mm x 0.25mm	
	47	LV21286-001A	CONTROL CAM		
	48	QYWDL1230196	SLIT WASHER	3mm/1.2mm x 0.19mm	
	49	LV33616-002A	LOAD.LOCK LEVER		
	50	LV43060-001A	CAM SPRING		
	51	LV43005-001A	GEAR 4		
	52	LV43006-002A	GEAR 5		
	53	LV33617-002A	GEAR 6		
	54	LV33618-002A	LOADING G. ARM		
	55	QYWDL1635252	SLIT WASHER	3.5mm/1.6mm x 0.25mm	
	56	LV43007-002A	GEAR 7		
	57	LV33619-002A	GEAR 8		
	58	LV42132-001A	E RING		
	59	QYWFM215013	WASHER	5mm/2.1mm x 0.13mm	
	60	LV33620-001A	GEAR 9		
	61	LV43008-001A	GEAR10		
	62	LV43061-001A	LOAD SPRING		
	63	LV33621-001A	FEED GEAR		
	64	LV33622-002A	TRIGGER ARM		
	65	LV43062-001A	FEED TRI.SPRING		
	66	QAR0240-002	SPINDLE MOTOR		
	67	LV21287-002A	SPINDLE BASE		
	68	LV44169-001A	SPECIAL SCREW	(x2)	
	69	VKZ4539-056	MINI SCREW	(x2)	
	70	QAL0742-001	DVD PICK UP		
	71	LV34583-002A	CD RACK PLATE		
	72	LV34579-001A	CD RACK SPRING		
	73	LV43903-002A	MINI TAP SCREW		
	74	LV43037-001A	LEAD SCREW		

△	Symbol No.	Part No.	Part Name	Description	Local
	75	LV43010-001A	L.S.GEAR		
	76	LV43063-001A	L.S.COLLAR		
	77	LV43011-001A	THRUST SPRING		
	78	QYSPSFT2040ZA	TAP SCREW	M2 x 4mm	
	79	LV33624-001A	HOLDER(M)		
	80	VKZ4539-056	MINI SCREW	(x2)	
	81	LV22130-001A	HOLDER(S) 2		
	82	VKZ4539-056	MINI SCREW	(x2)	
	83	LV43064-001A	ROD(M)		
	84	LV43065-001A	ROD(S)		
	85	LV43066-001A	SUB SHAFT		
	86	VKZ4730-002	SPECIAL SCREW	(x3)	
	87	LV21298-007A	CLAMPER UNIT		
	88	LV43070-001A	CLAMPER SPRING		
	89	LV43355-001A	CLAMPER2 SPRING		
	90	LV30225-0J6A	SPACER		
	91	LV22185-001A	FRONT UNIT (C)		
	92	VKZ4539-056	MINI SCREW		
	93	LVB30012-002A	SW FPC		
	94	NSW0187-001	SWITCH	S1	
	95	NSW0187-001	SWITCH	S1	
	96	NSW0187-001	SWITCH	S1	
	97	VKZ4539-055	MINI SCREW	(x2)	

Electrical parts list

Main board(ADV5380,DV5300)

Block No. [0][1]

△ Symbol No.	Part No.	Part Name	Description	Local
IC101	HA17558AF-X	IC		
IC151	TC4066BFT-X	IC		
IC161	NJW1192V-X	IC		
△ IC301	TB2904HQ	IC		
IC401	TC7SET08F-X	IC		
IC402	TOTX177L	OPTICAL JACK		
IC411	MM1510XN-X	IC		
△ IC721	UPD78F1166GC1C	IC(PROGRAMD)		
IC731	IC-PST3433U-X	IC		
IC731	or S-80833CNNB-G-W	IC		
IC801	HD74HC126FP-X	IC		
△ IC911	R2S25400DS-E	IC		
IC921	BA33BC0FP-X	IC		
IC922	LA5777MP-X	IC		
IC961	TC74LCX32FT-F-X	IC		
IC962	TC74VHCT32AFT-X	IC		
Q1	RT1N141C-X	DIGI TRANSISTOR		
Q1	or UN2211-X	TRANSISTOR		
Q151	RT1N141C-X	DIGI TRANSISTOR		
Q151	or UN2211-X	TRANSISTOR		
Q152	RT1N141C-X	DIGI TRANSISTOR		
Q152	or UN2211-X	TRANSISTOR		
Q301	RT1N441C-X	TRANSISTOR		
Q301	or UN2213-X	DIGI TRANSISTOR		
Q302	RT1P441C-X	DIGI TRANSISTOR		
Q302	or UN2113-X	TRANSISTOR		
Q303	RT6N430C-X	TRANSISTOR		
Q344	RT6N430C-X	TRANSISTOR		
Q354	RT6N430C-X	TRANSISTOR		
Q821	UN2211-X	TRANSISTOR		
Q821	or RT1N141C-X	DIGI TRANSISTOR		
Q822	UN2111-X	TRANSISTOR		
Q822	or RT1P141C-X	DIGI TRANSISTOR		
Q823	2SC4485/ST/-T	TRANSISTOR		
Q861	UN2111-X	TRANSISTOR		
Q861	or RT1P141C-X	DIGI TRANSISTOR		
Q862	UN2111-X	TRANSISTOR		
Q862	or RT1P141C-X	DIGI TRANSISTOR		
Q885	RT1N141C-X	DIGI TRANSISTOR		
Q885	or UN2211-X	TRANSISTOR		
Q911	RT1P141C-X	DIGI TRANSISTOR		
Q911	or UN2111-X	TRANSISTOR		
Q912	RT1N141C-X	DIGI TRANSISTOR		
Q912	or UN2211-X	TRANSISTOR		
Q921	RT1N141C-X	DIGI TRANSISTOR		
Q921	or UN2211-X	TRANSISTOR		
Q971	2SA1530A/R/-X	TRANSISTOR		
Q971	or 2SB709A/R/-X	TRANSISTOR		
Q972	RT1N141C-X	DIGI TRANSISTOR		
Q972	or UN2211-X	TRANSISTOR		
Q976	RT1N441C-X	TRANSISTOR		
Q976	or UN2213-X	DIGI TRANSISTOR		
Q977	2SA1530A/R/-X	TRANSISTOR		
Q977	or 2SB709A/R/-X	TRANSISTOR		
D1	1SS355W-X	DIODE		
D1	or MA111-X	SI DIODE		
D2	1SS355W-X	DIODE		
D2	or MA111-X	SI DIODE		
D301	UDZW11B-X	Z DIODE		
D301	or MA8110/M/-X	Z DIODE		
D302	1SS355W-X	DIODE		
D302	or MA111-X	SI DIODE		
D303	or CRS03-W	SB DIODE		
D303	MA22D23-X	SB DIODE		
D303	or RB160M-30-X	SB DIODE		
D304	or CRS03-W	SB DIODE		
D304	MA22D23-X	SB DIODE		
D304	or RB160M-30-X	SB DIODE		
D344	1SS355W-X	DIODE		
D344	or MA111-X	SI DIODE		

△ Symbol No.	Part No.	Part Name	Description	Local
D354	1SS355W-X	DIODE		
D354	or MA111-X	SI DIODE		
D401	or RB160M-30-X	SB DIODE		
D401	MA22D23-X	SB DIODE		
D401	or CRS03-W	SB DIODE		
D710	UDZW6.2B-X	Z DIODE		
D710	or MA8062/M/-X	Z DIODE		
D711	UDZW6.2B-X	Z DIODE		
D711	or MA8062/M/-X	Z DIODE		
D712	UDZW6.2B-X	Z DIODE		
D712	or MA8062/M/-X	Z DIODE		
D713	UDZW6.2B-X	Z DIODE		
D713	or MA8062/M/-X	Z DIODE		
D731	1SS355W-X	DIODE		
D731	or MA111-X	SI DIODE		
D801	or RB160M-30-X	SB DIODE		
D801	MA22D23-X	SB DIODE		
D801	or CRS03-W	SB DIODE		
D821	UDZW12B-X	Z DIODE		
D821	or MA8120/M/-X	Z DIODE		
D831	UDZW6.2B-X	Z DIODE		
D831	or MA8062/M/-X	Z DIODE		
D861	MA111-X	SI DIODE		
D861	or 1SS355W-X	DIODE		
D862	MA111-X	SI DIODE		
D862	or 1SS355W-X	DIODE		
D863	MA8110/M/-X	Z DIODE		
D863	or UDZW11B-X	Z DIODE		
D885	1SS355W-X	DIODE		
D885	or MA111-X	SI DIODE		
△ D901	1N5401-TU-15	SI DIODE		
△ D901	or 1N5401-F64	SI DIODE		
D902	GS1J-X	DIODE		
D911	1SS355W-X	DIODE		
D911	or MA111-X	SI DIODE		
D921	1A3G-T1	SI DIODE		
D922	RB051L-40-X	SB DIODE		
D971	or CRS03-W	SB DIODE		
D971	MA22D23-X	SB DIODE		
D971	or RB160M-30-X	SB DIODE		
D972	or CRS03-W	SB DIODE		
D972	MA22D23-X	SB DIODE		
D972	or RB160M-30-X	SB DIODE		
D973	or CRS03-W	SB DIODE		
D973	MA22D23-X	SB DIODE		
D973	or RB160M-30-X	SB DIODE		
D974	UDZW5.1B-X	SB DIODE		
D974	or MA8051/M/-X	Z DIODE		
D981	or RB160M-30-X	SB DIODE		
D981	MA22D23-X	SB DIODE		
D981	or CRS03-W	SB DIODE		
D982	or RB160M-30-X	SB DIODE		
D982	MA22D23-X	SB DIODE		
D982	or CRS03-W	SB DIODE		
C1	NCBA1AK-104W	C CAPACITOR	0.1uF 10V K	
C2	QEJ1AM-107Z	E CAPACITOR	100uF 10V M	
C4	NCBA1AK-104W	C CAPACITOR	0.1uF 10V K	
C5	NCBA1AK-104W	C CAPACITOR	0.1uF 10V K	
C6	QEJ1AM-107Z	E CAPACITOR	100uF 10V M	
C7	NCBA1AK-104W	C CAPACITOR	0.1uF 10V K	
C81	QEJ1HM-475Z	E CAPACITOR	4.7uF 50V M	
C91	QEJ1HM-475Z	E CAPACITOR	4.7uF 50V M	
C103	QEJ0JM-476Z	E CAPACITOR	47uF 6.3V M	
C109	NCBA1AK-104W	C CAPACITOR	0.1uF 10V K	
C113	QEJ0JM-476Z	E CAPACITOR	47uF 6.3V M	
C151	QTE1C57-106Z	E CAPACITOR	10uF 16V	
C152	NCBA1CK-103W	C CAPACITOR	0.01uF 16V K	
C161	QTE1A57-107Z	E CAPACITOR	100uF 10V	
C162	NCBA1CK-103W	C CAPACITOR	0.01uF 16V K	
C164	QTE1C57-106Z	E CAPACITOR	10uF 16V	
C171	QEJ1HM-225Z	E CAPACITOR	2.2uF 50V M	
C172	QTE1H54-225Z	E CAPACITOR	2.2uF 50V	
C173	QEJ1HM-225Z	E CAPACITOR	2.2uF 50V M	

ADV5
380J
ADV5
380J

△ Symbol No.	Part No.	Part Name	Description	Local	△ Symbol No.	Part No.	Part Name	Description	Local
C174	QEKJ1CM-226Z	E CAPACITOR	22uF 16V M		C902	NCBA1AK-104W	C CAPACITOR	0.1uF 10V K	
C175	NCBA1EK-472W	C CAPACITOR	4700pF 25V K		C903	QEKJ1HM-225Z	E CAPACITOR	2.2uF 50V M	
C176	NCBA1AK-104W	C CAPACITOR	0.1uF 10V K		C913	QEKJ1CM-106Z	E CAPACITOR	10uF 16V M	
C177	QEKJ1HM-475Z	E CAPACITOR	4.7uF 50V M		C914	NCBA1AK-104W	C CAPACITOR	0.1uF 10V K	
C178	QEKJ1HM-475Z	E CAPACITOR	4.7uF 50V M		C915	QEKJ1AM-107Z	E CAPACITOR	100uF 10V M	
C179	NDCA1HJ-471W	C CAPACITOR	470pF 50V J		C916	NCBA1AK-104W	C CAPACITOR	0.1uF 10V K	
C180	NCFA1AZ-474W	C CAPACITOR	0.47uF 10V Z		C917	NCBA1CK-103W	C CAPACITOR	0.01uF 16V K	
C181	QEKJ1HM-225Z	E CAPACITOR	2.2uF 50V M		C919	NCBA1AK-473W	C CAPACITOR	0.047uF 10V K	
C182	QTE1H54-225Z	E CAPACITOR	2.2uF 50V		C920	QEKJ1CM-226Z	E CAPACITOR	22uF 16V M	
C183	QEKJ1HM-225Z	E CAPACITOR	2.2uF 50V M		C921	QEKJ1AM-227Z	E CAPACITOR	220uF 10V M	
C184	QEKJ1CM-226Z	E CAPACITOR	22uF 16V M		C922	QEKJ1AM-107Z	E CAPACITOR	100uF 10V M	
C185	NCBA1EK-472W	C CAPACITOR	4700pF 25V K		C923	QEKJ1AM-227Z	E CAPACITOR	220uF 10V M	
C186	NCBA1AK-104W	C CAPACITOR	0.1uF 10V K		C924	NBZ0009-127X	E. CAPACITOR	120uF	
C187	QEKJ1HM-475Z	E CAPACITOR	4.7uF 50V M		C925	QEZ0595-477Z	E CAPACITOR	470uF 25V M	
C188	QEKJ1HM-475Z	E CAPACITOR	4.7uF 50V M		C926	NCBA1AK-104W	C CAPACITOR	0.1uF 10V K	
C189	NDCA1HJ-471W	C CAPACITOR	470pF 50V J		C961	NCBA1AK-473W	C CAPACITOR	0.047uF 10V K	
C190	NCFA1AZ-474W	C CAPACITOR	0.47uF 10V Z		C963	NCBA1AK-104W	C CAPACITOR	0.1uF 10V K	
C301	QEKJ1CM-476Z	E CAPACITOR	47uF 16V M		C964	NCBA1AK-104W	C CAPACITOR	0.1uF 10V K	
C302	NCBA1CK-103W	C CAPACITOR	0.01uF 16V K		C971	QEKJ1CM-107Z	E CAPACITOR	100uF 16V M	
C304	QERF1HM-475Z	E CAPACITOR	4.7uF 50V M		C972	NCBA1AK-473W	C CAPACITOR	0.047uF 10V K	
C305	QTE1C57-476Z	E CAPACITOR	47uF 16V		C973	QEKJ1AM-227Z	E CAPACITOR	220uF 10V M	
C306	NCBA1CK-103W	C CAPACITOR	0.01uF 16V K		C974	NDCA1HJ-102W	C CAPACITOR	1000pF 50V J	
C307	NCBA1CK-103W	C CAPACITOR	0.01uF 16V K		C975	QEKJ1AM-227Z	E CAPACITOR	220uF 10V M	
C309	QEKJ1HM-225Z	E CAPACITOR	2.2uF 50V M		C981	NCBA1AK-104W	C CAPACITOR	0.1uF 10V K	
C328	QFV91HJ-474Z	MF CAPACITOR	0.47uF 50V J		R1	NRSA6AJ-102W	MG RESISTOR	1kΩ 1/16W J	
C329	NDCA1HJ-101W	C CAPACITOR	100pF 50V J		R3	NRSA6AJ-473W	MG RESISTOR	47kΩ 1/16W J	
C331	NCBA1CK-223W	C CAPACITOR	0.022uF 16V K		R4	NRSA6AJ-472W	MG RESISTOR	4.7kΩ 1/16W J	
C338	QFV91HJ-474Z	MF CAPACITOR	0.47uF 50V J		R5	NRSA6AJ-472W	MG RESISTOR	4.7kΩ 1/16W J	
C339	NDCA1HJ-101W	C CAPACITOR	100pF 50V J		R6	NRSA6AJ-102W	MG RESISTOR	1kΩ 1/16W J	
C346	QEKJ1EM-475Z	E CAPACITOR	4.7uF 25V M		R7	NRS181J-120X	MG RESISTOR	12Ω 1/8W J	
C348	QFV91HJ-474Z	MF CAPACITOR	0.47uF 50V J		R8	NRS181J-120X	MG RESISTOR	12Ω 1/8W J	
C349	NDCA1HJ-101W	C CAPACITOR	100pF 50V J		R9	NRSA6AJ-332W	MG RESISTOR	3.3kΩ 1/16W J	
C356	QEKJ1EM-475Z	E CAPACITOR	4.7uF 25V M		R11	NRSA6AJ-0R0W	MG RESISTOR	0Ω 1/16W J	
C358	QFV91HJ-474Z	MF CAPACITOR	0.47uF 50V J		R12	NRSA6AJ-0R0W	MG RESISTOR	0Ω 1/16W J	
C359	NDCA1HJ-101W	C CAPACITOR	100pF 50V J		R81	NRSA6AJ-223W	MG RESISTOR	22kΩ 1/16W J	
C401	NDCA1HJ-220W	C CAPACITOR	22pF 50V J		R82	NRSA6AJ-512W	MG RESISTOR	5.1kΩ 1/16W J	
C402	NCBA1CK-103W	C CAPACITOR	0.01uF 16V K		R91	NRSA6AJ-223W	MG RESISTOR	22kΩ 1/16W J	
C403	NCBA1CK-103W	C CAPACITOR	0.01uF 16V K		R92	NRSA6AJ-512W	MG RESISTOR	5.1kΩ 1/16W J	
C404	QEKJ0JM-107Z	E CAPACITOR	100uF 6.3V M		R102	NRSA6AJ-103W	MG RESISTOR	10kΩ 1/16W J	
C405	NDCA1HJ-220W	C CAPACITOR	22pF 50V J		R103	NRSA6AJ-103W	MG RESISTOR	10kΩ 1/16W J	
C406	NCBA1CK-103W	C CAPACITOR	0.01uF 16V K		R104	NRSA6AJ-103W	MG RESISTOR	10kΩ 1/16W J	
C411	QEKJ1AM-227Z	E CAPACITOR	220uF 10V M		R105	NRSA6AJ-103W	MG RESISTOR	10kΩ 1/16W J	
C412	NCBA1AK-473W	C CAPACITOR	0.047uF 10V K		R106	NRSA6AJ-103W	MG RESISTOR	10kΩ 1/16W J	
C413	QCZ0202-155Z	C CAPACITOR	1.5uF 25V Z		R107	NRSA6AJ-103W	MG RESISTOR	10kΩ 1/16W J	
C414	QERF0JM-337Z	E CAPACITOR	330uF 6.3V M		R108	NRSA6AJ-0R0W	MG RESISTOR	0Ω 1/16W J	
C701	NCBA1AK-104W	C CAPACITOR	0.1uF 10V K		R112	NRSA6AJ-103W	MG RESISTOR	10kΩ 1/16W J	
C702	NCBA1AK-104W	C CAPACITOR	0.1uF 10V K		R113	NRSA6AJ-103W	MG RESISTOR	10kΩ 1/16W J	
C703	NCBA1AK-104W	C CAPACITOR	0.1uF 10V K		R114	NRSA6AJ-103W	MG RESISTOR	10kΩ 1/16W J	
C704	QEKJ1HM-225Z	E CAPACITOR	2.2uF 50V M		R115	NRSA6AJ-103W	MG RESISTOR	10kΩ 1/16W J	
C705	QEKJ1HM-225Z	E CAPACITOR	2.2uF 50V M		R116	NRSA6AJ-103W	MG RESISTOR	10kΩ 1/16W J	
C706	QEKJ1HM-225Z	E CAPACITOR	2.2uF 50V M		R117	NRSA6AJ-103W	MG RESISTOR	10kΩ 1/16W J	
C731	QEKJ0JM-476Z	E CAPACITOR	47uF 6.3V M		R118	NRSA6AJ-0R0W	MG RESISTOR	0Ω 1/16W J	
C732	NCBA1CK-103W	C CAPACITOR	0.01uF 16V K		R151	NRSA6AJ-222W	MG RESISTOR	2.2kΩ 1/16W J	
C743	NDCA1HJ-270W	C CAPACITOR	27pF 50V J		R152	NRSA6AJ-222W	MG RESISTOR	2.2kΩ 1/16W J	
C744	NDCA1HJ-220W	C CAPACITOR	22pF 50V J		R171	NRSA6AJ-222W	MG RESISTOR	2.2kΩ 1/16W J	
C751	NCFA1AZ-474W	C CAPACITOR	0.47uF 10V Z		R174	NRSA6AJ-393W	MG RESISTOR	39kΩ 1/16W J	
C752	NDCA1HJ-471W	C CAPACITOR	470pF 50V J		R175	NRSA6AJ-472W	MG RESISTOR	4.7kΩ 1/16W J	
C753	QEKJ1AM-227Z	E CAPACITOR	220uF 10V M		R181	NRSA6AJ-222W	MG RESISTOR	2.2kΩ 1/16W J	
C754	QEKJ1AM-227Z	E CAPACITOR	220uF 10V M		R184	NRSA6AJ-393W	MG RESISTOR	39kΩ 1/16W J	
C755	QEKJ1AM-227Z	E CAPACITOR	220uF 10V M		R185	NRSA6AJ-472W	MG RESISTOR	4.7kΩ 1/16W J	
C756	NCBA1AK-473W	C CAPACITOR	0.047uF 10V K		R302	NRSA6AJ-0R0W	MG RESISTOR	0Ω 1/16W J	
C757	NDCA1HJ-471W	C CAPACITOR	470pF 50V J		R303	NRSA6AJ-103W	MG RESISTOR	10kΩ 1/16W J	
C761	NDCA1HJ-471W	C CAPACITOR	470pF 50V J		R304	NRSA6AJ-473W	MG RESISTOR	47kΩ 1/16W J	
C801	NDCA1HJ-220W	C CAPACITOR	22pF 50V J		R305	NRSA6AJ-472W	MG RESISTOR	4.7kΩ 1/16W J	
C802	NDCA1HJ-220W	C CAPACITOR	22pF 50V J		R327	NRSA6AJ-0R0W	MG RESISTOR	0Ω 1/16W J	
C803	NCBA1AK-473W	C CAPACITOR	0.047uF 10V K		R329	NRSA6AJ-102W	MG RESISTOR	1kΩ 1/16W J	
C804	NDCA1HJ-220W	C CAPACITOR	22pF 50V J		R330	NRSA6AJ-102W	MG RESISTOR	1kΩ 1/16W J	
C805	QEKJ1HM-225Z	E CAPACITOR	2.2uF 50V M		R337	NRSA6AJ-0R0W	MG RESISTOR	0Ω 1/16W J	
C806	QEKJ1HM-225Z	E CAPACITOR	2.2uF 50V M		R339	NRSA6AJ-102W	MG RESISTOR	1kΩ 1/16W J	
C821	QEKJ1CM-106Z	E CAPACITOR	10uF 16V M		R340	NRSA6AJ-102W	MG RESISTOR	1kΩ 1/16W J	
C822	QEKJ1CM-106Z	E CAPACITOR	10uF 16V M		R343	NRSA6AJ-473W	MG RESISTOR	47kΩ 1/16W J	
C823	NCBA1CK-103W	C CAPACITOR	0.01uF 16V K		R345	NRSA6AJ-102W	MG RESISTOR	1kΩ 1/16W J	
C831	NDCA1HJ-101W	C CAPACITOR	100pF 50V J	ADV5 380J	R346	NRSA6AJ-101W	MG RESISTOR	100Ω 1/16W J	
C861	QEKJ0JM-476Z	E CAPACITOR	47uF 6.3V M		R347	NRSA6AJ-0R0W	MG RESISTOR	0Ω 1/16W J	
C862	QEKJ1CM-107Z	E CAPACITOR	100uF 16V M		R349	NRSA6AJ-102W	MG RESISTOR	1kΩ 1/16W J	
C885	QEKJ1CM-106Z	E CAPACITOR	10uF 16V M		R350	NRSA6AJ-102W	MG RESISTOR	1kΩ 1/16W J	
C901	QEZO768-278	E CAPACITOR	2700uF		R353	NRSA6AJ-473W	MG RESISTOR	47kΩ 1/16W J	

△ Symbol No.	Part No.	Part Name	Description	Local	△ Symbol No.	Part No.	Part Name	Description	Local
R355	NRSA6AJ-102W	MG RESISTOR	1kΩ 1/16W J		R805	NRSA6AJ-103W	MG RESISTOR	10kΩ 1/16W J	
R356	NRSA6AJ-101W	MG RESISTOR	100Ω 1/16W J		R806	NRSA6AJ-104W	MG RESISTOR	100kΩ 1/16W J	
R357	NRSA6AJ-0R0W	MG RESISTOR	0Ω 1/16W J		R807	NRSA6AJ-331W	MG RESISTOR	330Ω 1/16W J	
R359	NRSA6AJ-102W	MG RESISTOR	1kΩ 1/16W J		R808	NRSA6AJ-223W	MG RESISTOR	22kΩ 1/16W J	
R360	NRSA6AJ-102W	MG RESISTOR	1kΩ 1/16W J		R809	NRSA6AJ-101W	MG RESISTOR	100Ω 1/16W J	
R401	NRSA6AJ-471W	MG RESISTOR	470Ω 1/16W J		R810	NRSA6AJ-473W	MG RESISTOR	47kΩ 1/16W J	
R402	NRSA6AJ-100W	MG RESISTOR	10Ω 1/16W J		R821	NRSA6AJ-100W	MG RESISTOR	10Ω 1/16W J	
R403	NRSA6AJ-471W	MG RESISTOR	470Ω 1/16W J		R822	NRSA6AJ-471W	MG RESISTOR	470Ω 1/16W J	
R404	NRSA6AJ-1R0W	MG RESISTOR	1Ω 1/16W J		R823	NRSA6AJ-223W	MG RESISTOR	22kΩ 1/16W J	
R412	NRSA6AD-682W	MG RESISTOR	6.8kΩ 1/16W D		R832	NRSA6AJ-271W	MG RESISTOR	270Ω 1/16W J	ADV5 380J
R413	NRSA6AD-181W	MG RESISTOR	180Ω 1/16W D						DV53 00J
R414	NRSA6AJ-102W	MG RESISTOR	1kΩ 1/16W J		R833	NRSA6AJ-103W	MG RESISTOR	10kΩ 1/16W J	
R415	NRSA6AJ-750W	MG RESISTOR	75Ω 1/16W J		R861	NRSA6AJ-471W	MG RESISTOR	470Ω 1/16W J	
R416	NRSA6AJ-0R0W	MG RESISTOR	0Ω 1/16W J		R885	NRSA6AJ-473W	MG RESISTOR	47kΩ 1/16W J	
R417	NRSA6AJ-100W	MG RESISTOR	10Ω 1/16W J		R886	NRSA6AJ-472W	MG RESISTOR	4.7kΩ 1/16W J	
R701	NRSA6AJ-271W	MG RESISTOR	270Ω 1/16W J		R887	NRSA6AJ-103W	MG RESISTOR	10kΩ 1/16W J	
R702	NRSA6AJ-271W	MG RESISTOR	270Ω 1/16W J		R901	QRE142J-102X	C RESISTOR	1kΩ 1/4W J	
R703	NRSA6AJ-103W	MG RESISTOR	10kΩ 1/16W J		R902	NRSA6AJ-912W	MG RESISTOR	9.1kΩ 1/16W J	
R704	NRSA6AJ-473W	MG RESISTOR	47kΩ 1/16W J		R911	NRSA6AJ-682W	MG RESISTOR	6.8kΩ 1/16W J	
R705	NRSA6AJ-473W	MG RESISTOR	47kΩ 1/16W J		R912	NRSA6AJ-102W	MG RESISTOR	1kΩ 1/16W J	
R706	NRSA6AJ-473W	MG RESISTOR	47kΩ 1/16W J		R913	NRSA6AJ-123W	MG RESISTOR	12kΩ 1/16W J	
R707	NRSA6AJ-473W	MG RESISTOR	47kΩ 1/16W J		R914	NRSA6AJ-472W	MG RESISTOR	4.7kΩ 1/16W J	
R725	NRSA6AJ-224W	MG RESISTOR	220kΩ 1/16W J		R922	NRSA6AJ-473W	MG RESISTOR	47kΩ 1/16W J	
R726	NRSA6AJ-224W	MG RESISTOR	220kΩ 1/16W J		R961	NRSA6AJ-103W	MG RESISTOR	10kΩ 1/16W J	
R728	NRSA6AJ-222W	MG RESISTOR	2.2kΩ 1/16W J		R962	NRSA6AJ-103W	MG RESISTOR	10kΩ 1/16W J	
R729	NRSA6AJ-222W	MG RESISTOR	2.2kΩ 1/16W J		R963	NRSA6AJ-103W	MG RESISTOR	10kΩ 1/16W J	
R731	NRSA6AJ-103W	MG RESISTOR	10kΩ 1/16W J		R971	NRSA6AJ-101W	MG RESISTOR	100Ω 1/16W J	
R732	NRSA6AJ-222W	MG RESISTOR	2.2kΩ 1/16W J		R972	NRS181J-221X	MG RESISTOR	220Ω 1/8W J	
R733	NRSA6AJ-473W	MG RESISTOR	47kΩ 1/16W J		R973	NRSA6AJ-222W	MG RESISTOR	2.2kΩ 1/16W J	
R735	NRSA6AJ-472W	MG RESISTOR	4.7kΩ 1/16W J		R974	NRSA6AJ-473W	MG RESISTOR	47kΩ 1/16W J	
R736	NRSA6AJ-472W	MG RESISTOR	4.7kΩ 1/16W J		R976	NRSA6AJ-563W	MG RESISTOR	56kΩ 1/16W J	
R737	NRSA6AJ-224W	MG RESISTOR	220kΩ 1/16W J		R977	NRSA6AJ-183W	MG RESISTOR	18kΩ 1/16W J	
R738	NRSA6AJ-224W	MG RESISTOR	220kΩ 1/16W J		R981	NRS181J-222X	MG RESISTOR	2.2kΩ 1/8W J	
R740	NRSA6AJ-103W	MG RESISTOR	10kΩ 1/16W J		R982	NRS181J-222X	MG RESISTOR	2.2kΩ 1/8W J	
R741	NRSA6AJ-106W	MG RESISTOR	10MΩ 1/16W J		RA763	NRZ0065-222X	NET RESISTOR	2.2kΩ	
R742	NRSA6AJ-473W	MG RESISTOR	47kΩ 1/16W J		L1	QQL244J-4R7Z	P COIL	4.7uH J	
R743	NRSA6AJ-0R0W	MG RESISTOR	0Ω 1/16W J		L401	NQR0007-002X	FERRITE BEADS		
R745	NRSA6AJ-472W	MG RESISTOR	4.7kΩ 1/16W J		L411	NQL114K-470X	INDUCTOR	47uH K	
R746	NRSA6AJ-472W	MG RESISTOR	4.7kΩ 1/16W J		L752	QQL244J-470Z	COIL	47uH J	
R747	NRSA6AJ-472W	MG RESISTOR	4.7kΩ 1/16W J		L901	QQR1378-002	COIL		
R748	NRSA6AJ-103W	MG RESISTOR	10kΩ 1/16W J		L911	NQL56CK-220X	COIL	22uH K	
R761	NRSA6AJ-472W	MG RESISTOR	4.7kΩ 1/16W J		L921	NQL56CK-220X	COIL	22uH K	
R762	NRSA6AJ-472W	MG RESISTOR	4.7kΩ 1/16W J		L922	NQLB7GM-100X	COIL	10uH M	
R763	NRSA6AJ-472W	MG RESISTOR	4.7kΩ 1/16W J		L923	NQL71EM-330X	COIL	33uH M	
R764	NRSA6AJ-102W	MG RESISTOR	1kΩ 1/16W J		CN701	QGZ1601J1-15	CONNECTOR	(1-15)	
R765	NRSA6AJ-222W	MG RESISTOR	2.2kΩ 1/16W J		CN821	QGA2001C1-02	CONNECTOR	W-B (1-2)	
R766	NRSA6AJ-331W	MG RESISTOR	330Ω 1/16W J		CN831	QGA2001F1-02	CONNECTOR	W-B (1-2)	ADV5 380J
R767	NRSA6AJ-331W	MG RESISTOR	330Ω 1/16W J		CN901	QNZ0607-001	CAR CONNECTOR		
R769	NRSA6AJ-222W	MG RESISTOR	2.2kΩ 1/16W J		CN961	QGB2044M1-30	CONNECTOR	B-B (1-30)	
R770	NRSA6AJ-223W	MG RESISTOR	22kΩ 1/16W J	ADV5 380J	CN962	QGF0534F3-45X	CONNECTOR	FFC/FPC (1-45)	
R771	NRSA6AJ-333W	MG RESISTOR	33kΩ 1/16W J		CN963	QGB2043L1-30X	CONNECTOR	B-B (1-30)	
R772	NRSA6AJ-103W	MG RESISTOR	10kΩ 1/16W J		J1	QNB0190-001	CAR ANT JACK		
R773	NRSA6AJ-473W	MG RESISTOR	47kΩ 1/16W J		J331	QNN0771-001	3P PIN JACK		ADV5 380J
R774	NRSA6AJ-562W	MG RESISTOR	5.6kΩ 1/16W J						DV53 00J
R775	NRSA6AJ-472W	MG RESISTOR	4.7kΩ 1/16W J		J331	QNN0770-001	3P PIN JACK		
R778	NRSA6AJ-0R0W	MG RESISTOR	0Ω 1/16W J		J801	QNZ0095-001	CONNECTOR		
R779	NRSA6AJ-0R0W	MG RESISTOR	0Ω 1/16W J		K401	NQR0007-002X	FERRITE BEADS		
R780	NRSA6AJ-472W	MG RESISTOR	4.7kΩ 1/16W J		K402	NQR0007-002X	FERRITE BEADS		
R781	NRSA6AJ-472W	MG RESISTOR	4.7kΩ 1/16W J		K411	NQR0201-004X	FERRITE BEADS		
R782	NRSA6AJ-0R0W	MG RESISTOR	0Ω 1/16W J		K831	NQR0007-002X	FERRITE BEADS		ADV5 380J
R783	NRSA6AJ-392W	MG RESISTOR	3.9kΩ 1/16W J						ADV5 380J
R784	NRSA6AJ-392W	MG RESISTOR	3.9kΩ 1/16W J		PP1	QZW0010-001	STYLE PIN		ADV5 380J
R785	NRSA6AJ-472W	MG RESISTOR	4.7kΩ 1/16W J		S731	QSW0648-001Z	TACT SW		
R786	NRSA6AJ-472W	MG RESISTOR	4.7kΩ 1/16W J		TH721	NAD0028-103X	N THERMISTOR	10kΩ	
R787	NRSA6AJ-472W	MG RESISTOR	4.7kΩ 1/16W J		△ TU1	QAU0484-001	TUNER PACK		
R788	NRSA6AJ-472W	MG RESISTOR	4.7kΩ 1/16W J		X721	QAX0401-001	CRYSTAL	32.768KHz	
R789	NRSA6AJ-472W	MG RESISTOR	4.7kΩ 1/16W J		X722	QAX0916-001Z	CRYSTAL		
R793	NRSA6AJ-0R0W	MG RESISTOR	0Ω 1/16W J						
R794	NRSA6AJ-0R0W	MG RESISTOR	0Ω 1/16W J						
R795	NRSA6AJ-103W	MG RESISTOR	10kΩ 1/16W J						
R796	NRSA6AJ-0R0W	MG RESISTOR	0Ω 1/16W J						
R797	NRSA6AJ-392W	MG RESISTOR	3.9kΩ 1/16W J						
R798	NRSA6AJ-103W	MG RESISTOR	10kΩ 1/16W J						
R801	NRSA6AJ-101W	MG RESISTOR	100Ω 1/16W J						
R802	NRSA6AJ-473W	MG RESISTOR	47kΩ 1/16W J						
R803	NRSA6AJ-223W	MG RESISTOR	22kΩ 1/16W J						
R804	NRSA6AJ-104W	MG RESISTOR	100kΩ 1/16W J						

Switch board(ADV5380,DV5300)

Block No. [0][2]

Symbol No.	Part No.	Part Name	Description	Local
IC661	PT6523LQ-L	LCD DRIVER		
IC681	RPM7338-V4	RM.RECEIVER		
D630	SML-310LT/MN/-X	LED		
D631	SML-310LT/MN/-X	LED		
D632	SML-310LT/MN/-X	LED		
D633	SML-310LT/MN/-X	LED		
D634	SML-310LT/MN/-X	LED		
D635	SML-310LT/MN/-X	LED		
D636	SML-310LT/MN/-X	LED		
D637	SML-310LT/MN/-X	LED		
D638	SML-310LT/MN/-X	LED		
D639	SML-310LT/MN/-X	LED		
D640	SML-310LT/MN/-X	LED		
D641	SML-310LT/MN/-X	LED		
D642	SML-310LT/MN/-X	LED		
D643	SML-310LT/MN/-X	LED		
D644	SML-310LT/MN/-X	LED		
D645	SML-310LT/MN/-X	LED		
D646	SML-310LT/MN/-X	LED		
D647	SML-310LT/MN/-X	LED		
D648	SML-310LT/MN/-X	LED		
D649	SML-310LT/MN/-X	LED		
D650	NSPW310BS/B2RST	LED		
D651	NSPW310BS/B2RST	LED		
D661	1SS355W-X	DIODE		
D661	or MA111-X	SI DIODE		
D662	UDZW5.1B-X	SB DIODE		
D662	or MA8051/M-X	Z DIODE		
C620	NCB31HK-473X	C CAPACITOR	0.047uF 50V K	
C661	NCB21AK-105X	C CAPACITOR	1uF 10V K	
C662	NCS31HJ-681X	C CAPACITOR	680pF 50V J	
C663	NCB31HK-223X	C CAPACITOR	0.022uF 50V K	
C682	NCB31HK-103X	C CAPACITOR	0.01uF 50V K	
R601	NRSA63J-821X	MG RESISTOR	820Ω 1/16W J	
R602	NRSA63J-821X	MG RESISTOR	820Ω 1/16W J	
R603	NRSA63J-122X	MG RESISTOR	1.2kΩ 1/16W J	
R604	NRSA63J-182X	MG RESISTOR	1.8kΩ 1/16W J	
R605	NRSA63J-272X	MG RESISTOR	2.7kΩ 1/16W J	
R606	NRSA63J-821X	MG RESISTOR	820Ω 1/16W J	
R607	NRSA63J-821X	MG RESISTOR	820Ω 1/16W J	
R608	NRSA63J-122X	MG RESISTOR	1.2kΩ 1/16W J	
R609	NRSA63J-182X	MG RESISTOR	1.8kΩ 1/16W J	
R610	NRSA63J-272X	MG RESISTOR	2.7kΩ 1/16W J	
R611	NRSA63J-821X	MG RESISTOR	820Ω 1/16W J	
R612	NRSA63J-821X	MG RESISTOR	820Ω 1/16W J	
R613	NRSA63J-122X	MG RESISTOR	1.2kΩ 1/16W J	
R614	NRSA63J-182X	MG RESISTOR	1.8kΩ 1/16W J	
R615	NRSA63J-272X	MG RESISTOR	2.7kΩ 1/16W J	
R616	NRSA63J-392X	MG RESISTOR	3.9kΩ 1/16W J	
R617	NRSA63J-103X	MG RESISTOR	10kΩ 1/16W J	
R620	NRSA63J-0R0X	MG RESISTOR	0Ω 1/16W J	
R621	NRSA63J-0R0X	MG RESISTOR	0Ω 1/16W J	
R622	NRSA63J-473X	MG RESISTOR	47kΩ 1/16W J	
R623	NRSA63J-473X	MG RESISTOR	47kΩ 1/16W J	
R624	NRSA63J-471X	MG RESISTOR	470Ω 1/16W J	
R630	NRSA02J-621X	MG RESISTOR	620Ω 1/10W J	
R632	NRSA02J-621X	MG RESISTOR	620Ω 1/10W J	
R634	NRSA02J-621X	MG RESISTOR	620Ω 1/10W J	
R636	NRSA63J-561X	MG RESISTOR	560Ω 1/16W J	
R638	NRSA63J-561X	MG RESISTOR	560Ω 1/16W J	
R640	NRSA02J-621X	MG RESISTOR	620Ω 1/10W J	
R642	NRSA63J-561X	MG RESISTOR	560Ω 1/16W J	
R644	NRSA63J-561X	MG RESISTOR	560Ω 1/16W J	
R646	NRSA63J-561X	MG RESISTOR	560Ω 1/16W J	
R648	NRSA63J-561X	MG RESISTOR	560Ω 1/16W J	
R650	NRSA63J-561X	MG RESISTOR	560Ω 1/16W J	
R652	NRSA02J-621X	MG RESISTOR	620Ω 1/10W J	
R654	NRSA02J-271X	MG RESISTOR	270Ω 1/10W J	
R657	NRSA02J-181X	MG RESISTOR	180Ω 1/10W J	
R660	NRSA63J-0R0X	MG RESISTOR	0Ω 1/16W J	
R661	NRSA63J-222X	MG RESISTOR	2.2kΩ 1/16W J	

Symbol No.	Part No.	Part Name	Description	Local
R662	NRSA63J-222X	MG RESISTOR	2.2kΩ 1/16W J	
R663	NRSA63J-225X	MG RESISTOR	2.2MΩ 1/16W J	
R664	NRSA63J-103X	MG RESISTOR	10kΩ 1/16W J	
R665	NRSA63J-513X	MG RESISTOR	51kΩ 1/16W J	
R666	NRSA63J-103X	MG RESISTOR	10kΩ 1/16W J	
R667	NRSA63J-103X	MG RESISTOR	10kΩ 1/16W J	
R668	NRSA63J-103X	MG RESISTOR	10kΩ 1/16W J	
R681	NRSA63J-471X	MG RESISTOR	470Ω 1/16W J	
R682	NRSA63J-103X	MG RESISTOR	10kΩ 1/16W J	
CJ601	QGZ1601K1-15S	CONNECTOR	(1-15)	
J601	QNS0215-001	3.5 JACK		
JS686	QSW1219-001	ROTARY ENCODER		
S601	NSW0124-001X	TACT SW		
S602	NSW0124-001X	TACT SW		
S603	NSW0124-001X	TACT SW		
S604	NSW0124-001X	TACT SW		
S605	NSW0124-001X	TACT SW		
S606	NSW0124-001X	TACT SW		
S607	NSW0124-001X	TACT SW		
S608	NSW0124-001X	TACT SW		
S609	NSW0124-001X	TACT SW		
S610	NSW0124-001X	TACT SW		
S611	NSW0124-001X	TACT SW		
S612	NSW0124-001X	TACT SW		
S613	NSW0124-001X	TACT SW		
S614	NSW0124-001X	TACT SW		
S615	NSW0124-001X	TACT SW		
S616	NSW0124-001X	TACT SW		
S617	NSW0124-001X	TACT SW		
S618	NSW0124-001X	TACT SW		

Main board (DV5301,DV5302,DV5307,DV5308)

Block No. [0][3]

Symbol No.	Part No.	Part Name	Description	Local
△ IC71	LC72725KM-X	IC		DV53 01E,D V5301 EU,D V5302 E,DV5 302E U
IC101	HA17558AF-X	IC		DV53 01E,D V5301 EU,D V5302 E,DV5 302E U
IC151	TC4066BFT-X	IC		
IC161	NJW1192V-X	IC		
△ IC301	TB2904HQ	IC		
IC401	TC7SET08F-X	IC		
IC402	TOTX177L	OPTICAL JACK		
IC411	MM1510XN-X	IC		
△ IC721	UPD78F1166GC1D	IC(PROGRAMMED)		
IC722	S-24CS16A01-G-X	IC		
IC731	IC-PST3433U-X	IC		
IC731	or S-80833CNNB-G-W	IC		
IC801	HD74HC126FP-X	IC		
△ IC911	R2S25400DS-E	IC		
IC921	BA33BC0FP-X	IC		
IC922	LA5777MP-X	IC		
IC961	TC74LCX32FT-F-X	IC		
IC962	TC74VHCT32AFT-X	IC		
Q1	RT1N141C-X	DIGI TRANSISTOR		
Q1	or UN2211-X	TRANSISTOR		

△ Symbol No.	Part No.	Part Name	Description	Local	△ Symbol No.	Part No.	Part Name	Description	Local
Q151	RT1N141C-X	DIGI TRANSISTOR		DV53 01E,D V5301 EU,D V5302 E,DV5 302E U	D304	MA22D23-X	SB DIODE		
Q151	or UN2211-X	TRANSISTOR		DV53 01E,D V5301 EU,D V5302 E,DV5 302E U	D304	or RB160M-30-X	SB DIODE		
Q152	RT1N141C-X	DIGI TRANSISTOR		DV53 01E,D V5301 EU,D V5302 E,DV5 302E U	D344	1SS355W-X	DIODE		
Q152	or UN2211-X	TRANSISTOR		DV53 01E,D V5301 EU,D V5302 E,DV5 302E U	D344	or MA111-X	SI DIODE		
Q301	RT1N441C-X	TRANSISTOR		DV53 01E,D V5301 EU,D V5302 E,DV5 302E U	D354	1SS355W-X	DIODE		
Q301	or UN2213-X	DIGI TRANSISTOR		DV53 01E,D V5301 EU,D V5302 E,DV5 302E U	D354	or MA111-X	SI DIODE		
Q302	RT1P441C-X	DIGI TRANSISTOR		DV53 01E,D V5301 EU,D V5302 E,DV5 302E U	D401	or RB160M-30-X	SB DIODE		
Q302	or UN2113-X	TRANSISTOR		DV53 01E,D V5301 EU,D V5302 E,DV5 302E U	D401	MA22D23-X	SB DIODE		
Q303	RT6N430C-X	TRANSISTOR		DV53 01E,D V5301 EU,D V5302 E,DV5 302E U	D401	or CRS03-W	SB DIODE		
Q344	RT6N430C-X	TRANSISTOR		DV53 01E,D V5301 EU,D V5302 E,DV5 302E U	D731	1SS355W-X	DIODE		
Q354	RT6N430C-X	TRANSISTOR		DV53 01E,D V5301 EU,D V5302 E,DV5 302E U	D731	or MA111-X	SI DIODE		
Q821	UN2211-X	TRANSISTOR		DV53 01E,D V5301 EU,D V5302 E,DV5 302E U	D801	or RB160M-30-X	SB DIODE		
Q821	or RT1N141C-X	DIGI TRANSISTOR		DV53 01E,D V5301 EU,D V5302 E,DV5 302E U	D801	MA22D23-X	SB DIODE		
Q822	UN2111-X	TRANSISTOR		DV53 01E,D V5301 EU,D V5302 E,DV5 302E U	D801	or CRS03-W	SB DIODE		
Q822	or RT1P141C-X	DIGI TRANSISTOR		DV53 01E,D V5301 EU,D V5302 E,DV5 302E U	D821	UDZW12B-X	Z DIODE		
Q823	2SC4485/ST-T	TRANSISTOR		DV53 01E,D V5301 EU,D V5302 E,DV5 302E U	D821	or MA8120/M/-X	Z DIODE		
Q861	UN2111-X	TRANSISTOR		DV53 01E,D V5301 EU,D V5302 E,DV5 302E U	D831	UDZW6.2B-X	Z DIODE		DV53 01E,D V5301 EU,D V5302 E,DV5 302E U
Q861	or RT1P141C-X	DIGI TRANSISTOR		DV53 01E,D V5301 EU,D V5302 E,DV5 302E U	D831	or MA8062/M/-X	Z DIODE		DV53 01E,D V5301 EU,D V5302 E,DV5 302E U
Q862	UN2111-X	TRANSISTOR		DV53 01E,D V5301 EU,D V5302 E,DV5 302E U	D861	MA111-X	SI DIODE		
Q862	or RT1P141C-X	DIGI TRANSISTOR		DV53 01E,D V5301 EU,D V5302 E,DV5 302E U	D861	or 1SS355W-X	DIODE		
Q885	RT1N141C-X	DIGI TRANSISTOR		DV53 01E,D V5301 EU,D V5302 E,DV5 302E U	D862	MA111-X	SI DIODE		
Q885	or UN2211-X	TRANSISTOR		DV53 01E,D V5301 EU,D V5302 E,DV5 302E U	D862	or 1SS355W-X	DIODE		
Q891	UN2211-X	TRANSISTOR		DV53 01E,D V5301 EU,D V5302 E,DV5 302E U	D863	MA8110/M/-X	Z DIODE		
Q891	or RT1N141C-X	DIGI TRANSISTOR		DV53 01E,D V5301 EU,D V5302 E,DV5 302E U	D863	or UDZW11B-X	Z DIODE		
Q892	UN2211-X	TRANSISTOR		DV53 01E,D V5301 EU,D V5302 E,DV5 302E U	D885	1SS355W-X	DIODE		
Q892	or RT1N141C-X	DIGI TRANSISTOR		DV53 01E,D V5301 EU,D V5302 E,DV5 302E U	D885	or MA111-X	SI DIODE		
Q911	RT1P141C-X	DIGI TRANSISTOR		DV53 01E,D V5301 EU,D V5302 E,DV5 302E U	D891	MA152WA-X	DIODE		
Q911	or UN2111-X	TRANSISTOR		DV53 01E,D V5301 EU,D V5302 E,DV5 302E U	D891	or MC2836-X	DIODE		
Q912	RT1N141C-X	DIGI TRANSISTOR		DV53 01E,D V5301 EU,D V5302 E,DV5 302E U	△ D901	1N5401-TU-15	SI DIODE		
Q912	or UN2211-X	TRANSISTOR		DV53 01E,D V5301 EU,D V5302 E,DV5 302E U	△ D901	or 1N5401-F64	SI DIODE		
Q921	RT1N141C-X	DIGI TRANSISTOR		DV53 01E,D V5301 EU,D V5302 E,DV5 302E U	D902	GS1J-X	DIODE		
Q921	or UN2211-X	TRANSISTOR		DV53 01E,D V5301 EU,D V5302 E,DV5 302E U	D911	1SS355W-X	DIODE		
Q971	2SA1530A/R/-X	TRANSISTOR		DV53 01E,D V5301 EU,D V5302 E,DV5 302E U	D911	or MA111-X	SI DIODE		
Q971	or 2SB709A/R/-X	TRANSISTOR		DV53 01E,D V5301 EU,D V5302 E,DV5 302E U	D921	1A3G-T1	SI DIODE		
Q972	RT1N141C-X	DIGI TRANSISTOR		DV53 01E,D V5301 EU,D V5302 E,DV5 302E U	D922	RB051L-40-X	SB DIODE		
Q972	or UN2211-X	TRANSISTOR		DV53 01E,D V5301 EU,D V5302 E,DV5 302E U	D971	or CRS03-W	SB DIODE		
Q976	RT1N441C-X	TRANSISTOR		DV53 01E,D V5301 EU,D V5302 E,DV5 302E U	D971	MA22D23-X	SB DIODE		
Q976	or UN2213-X	DIGI TRANSISTOR		DV53 01E,D V5301 EU,D V5302 E,DV5 302E U	D971	or RB160M-30-X	SB DIODE		
Q977	2SA1530A/R/-X	TRANSISTOR		DV53 01E,D V5301 EU,D V5302 E,DV5 302E U	D972	or CRS03-W	SB DIODE		
Q977	or 2SB709A/R/-X	TRANSISTOR		DV53 01E,D V5301 EU,D V5302 E,DV5 302E U	D972	MA22D23-X	SB DIODE		
D1	1SS355W-X	DIODE		DV53 01E,D V5301 EU,D V5302 E,DV5 302E U	D972	or RB160M-30-X	SB DIODE		
D1	or MA111-X	SI DIODE		DV53 01E,D V5301 EU,D V5302 E,DV5 302E U	D973	or CRS03-W	SB DIODE		
D2	1SS355W-X	DIODE		DV53 01E,D V5301 EU,D V5302 E,DV5 302E U	D973	MA22D23-X	SB DIODE		
D2	or MA111-X	SI DIODE		DV53 01E,D V5301 EU,D V5302 E,DV5 302E U	D973	or RB160M-30-X	SB DIODE		
D301	UDZW11B-X	Z DIODE		DV53 01E,D V5301 EU,D V5302 E,DV5 302E U	D973	or MA8110/M/-X	Z DIODE		
D301	or MA8110/M/-X	Z DIODE		DV53 01E,D V5301 EU,D V5302 E,DV5 302E U	D974	UDZW5.1B-X	SB DIODE		
D302	1SS355W-X	DIODE		DV53 01E,D V5301 EU,D V5302 E,DV5 302E U	D974	or MA8051/M/-X	Z DIODE		
D302	or MA111-X	SI DIODE		DV53 01E,D V5301 EU,D V5302 E,DV5 302E U	D981	or RB160M-30-X	SB DIODE		
D303	or CRS03-W	SB DIODE		DV53 01E,D V5301 EU,D V5302 E,DV5 302E U	D981	MA22D23-X	SB DIODE		
D303	MA22D23-X	SB DIODE		DV53 01E,D V5301 EU,D V5302 E,DV5 302E U	D981	or CRS03-W	SB DIODE		
D303	or RB160M-30-X	SB DIODE		DV53 01E,D V5301 EU,D V5302 E,DV5 302E U	D982	or RB160M-30-X	SB DIODE		
D304	or CRS03-W	SB DIODE		DV53 01E,D V5301 EU,D V5302 E,DV5 302E U	D982	MA22D23-X	SB DIODE		
				DV53 01E,D V5301 EU,D V5302 E,DV5 302E U	D982	or CRS03-W	SB DIODE		
					C1	NCBA1AK-104W	C CAPACITOR	0.1uF 10V K	
					C2	QEKJ1AM-107Z	E CAPACITOR	100uF 10V M	
					C4	NCBA1AK-104W	C CAPACITOR	0.1uF 10V K	
					C5	NCBA1AK-104W	C CAPACITOR	0.1uF 10V K	
					C6	QEKJ1AM-107Z	E CAPACITOR	100uF 10V M	
					C7	NCBA1AK-104W	C CAPACITOR	0.1uF 10V K	
					C71	QEKJ1CM-106Z	E CAPACITOR	10uF 16V M	
					C72	NDCA1HJ-331W	C CAPACITOR	330pF 50V J	
					C73	NCBA1CK-103W	C CAPACITOR	0.01uF 16V K	
					C74	NCBA1HK-561W	C CAPACITOR	560pF 50V K	
					C75	QEKJ0JM-476Z	E CAPACITOR	47uF 6.3V M	
					C76	NCBA1CK-103W	C CAPACITOR	0.01uF 16V K	
					C77	NDCA1HJ-330W	C CAPACITOR	33pF 50V J	

△ Symbol No.	Part No.	Part Name	Description	Local	△ Symbol No.	Part No.	Part Name	Description	Local
C78	NDCA1HJ-330W	C CAPACITOR	33pF 50V J						
C81	QEKJ1HM-475Z	E CAPACITOR	4.7uF 50V M						DV53
C91	QEKJ1HM-475Z	E CAPACITOR	4.7uF 50V M						01E,D
				DV53	C152	NCBA1CK-103W	C CAPACITOR	0.01uF 16V K	V5301
				01E,D					EU,D
				V5301					V5302
C103	QEKJ0JM-476Z	E CAPACITOR	47uF 6.3V M	EU,D					E,DV5
				V5302	C161	QTE1A57-107Z	E CAPACITOR	100uF 10V	302E
				E,DV5	C162	NCBA1CK-103W	C CAPACITOR	0.01uF 16V K	U
				302E	C164	QTE1C57-106Z	E CAPACITOR	10uF 16V	
				U	C171	QEKJ1HM-225Z	E CAPACITOR	2.2uF 50V M	
				DV53	C172	QTE1H55-225Z	E CAPACITOR	2.2uF 50V	
				01E,D	C173	QEKJ1HM-225Z	E CAPACITOR	2.2uF 50V M	
				V5301	C174	QEKJ1CM-226Z	E CAPACITOR	22uF 16V M	
C109	NCBA1AK-104W	C CAPACITOR	0.1uF 10V K	EU,D	C175	NCBA1EK-472W	C CAPACITOR	4700pF 25V K	
				V5302	C176	NCBA1AK-104W	C CAPACITOR	0.1uF 10V K	
				E,DV5	C177	QEKJ1HM-475Z	E CAPACITOR	4.7uF 50V M	
				302E	C178	QEKJ1HM-475Z	E CAPACITOR	4.7uF 50V M	
				U	C179	NDCA1HJ-471W	C CAPACITOR	470pF 50V J	
				DV53	C180	NCFA1AZ-474W	C CAPACITOR	0.47uF 10V Z	
				01E,D	C181	QEKJ1HM-225Z	E CAPACITOR	2.2uF 50V M	
				V5301	C182	QTE1H55-225Z	E CAPACITOR	2.2uF 50V	
C113	QEKJ0JM-476Z	E CAPACITOR	47uF 6.3V M	EU,D	C183	QEKJ1HM-225Z	E CAPACITOR	2.2uF 50V M	
				V5302	C184	QEKJ1CM-226Z	E CAPACITOR	22uF 16V M	
				E,DV5	C185	NCBA1EK-472W	C CAPACITOR	4700pF 25V K	
				302E	C186	NCBA1AK-104W	C CAPACITOR	0.1uF 10V K	
				U	C187	QEKJ1HM-475Z	E CAPACITOR	4.7uF 50V M	
				DV53	C188	QEKJ1HM-475Z	E CAPACITOR	4.7uF 50V M	
				01E,D	C189	NDCA1HJ-471W	C CAPACITOR	470pF 50V J	
				V5301	C190	NCFA1AZ-474W	C CAPACITOR	0.47uF 10V Z	
C141	NCBA1EK-472W	C CAPACITOR	4700pF 25V K	EU,D	C301	QEKJ1CM-476Z	E CAPACITOR	47uF 16V M	
				V5302	C302	NCBA1CK-103W	C CAPACITOR	0.01uF 16V K	
				E,DV5	C304	QERF1HM-475Z	E CAPACITOR	4.7uF 50V M	
				302E	C305	QTE1C57-476Z	E CAPACITOR	47uF 16V	
				U	C306	NCBA1CK-103W	C CAPACITOR	0.01uF 16V K	
				DV53	C307	NCBA1CK-103W	C CAPACITOR	0.01uF 16V K	
				01E,D	C309	QEKJ1HM-225Z	E CAPACITOR	2.2uF 50V M	
				V5301	C328	QFV91HJ-474Z	MF CAPACITOR	0.47uF 50V J	
C142	NCBA1EK-472W	C CAPACITOR	4700pF 25V K	EU,D	C329	NDCA1HJ-101W	C CAPACITOR	100pF 50V J	
				V5302	C331	NCBA1CK-223W	C CAPACITOR	0.022uF 16V K	
				E,DV5	C338	QFV91HJ-474Z	MF CAPACITOR	0.47uF 50V J	
				302E	C339	NDCA1HJ-101W	C CAPACITOR	100pF 50V J	
				U	C346	QEKJ1EM-475Z	E CAPACITOR	4.7uF 25V M	
				DV53	C348	QFV91HJ-474Z	MF CAPACITOR	0.47uF 50V J	
				01E,D	C349	NDCA1HJ-101W	C CAPACITOR	100pF 50V J	
				V5301	C356	QEKJ1EM-475Z	E CAPACITOR	4.7uF 25V M	
C143	NCFA1AZ-474W	C CAPACITOR	0.47uF 10V Z	EU,D	C358	QFV91HJ-474Z	MF CAPACITOR	0.47uF 50V J	
				V5302	C359	NDCA1HJ-101W	C CAPACITOR	100pF 50V J	
				E,DV5	C401	NDCA1HJ-220W	C CAPACITOR	22pF 50V J	
				302E	C402	NCBA1CK-103W	C CAPACITOR	0.01uF 16V K	
				U	C403	NCBA1CK-103W	C CAPACITOR	0.01uF 16V K	
				DV53	C404	QEKJ0JM-107Z	E CAPACITOR	100uF 6.3V M	
				01E,D	C405	NDCA1HJ-220W	C CAPACITOR	22pF 50V J	
				V5301	C406	NCBA1CK-103W	C CAPACITOR	0.01uF 16V K	
C145	QEKJ1HM-225Z	E CAPACITOR	2.2uF 50V M	EU,D	C411	QEKJ1AM-227Z	E CAPACITOR	220uF 10V M	
				V5302	C412	NCBA1AK-473W	C CAPACITOR	0.047uF 10V K	
				E,DV5	C413	QCZ0202-155Z	C CAPACITOR	1.5uF 25V Z	
				302E	C414	QERF0JM-337Z	E CAPACITOR	330uF 6.3V M	
				U	C701	NCBA1AK-104W	C CAPACITOR	0.1uF 10V K	
				DV53	C702	NCBA1AK-104W	C CAPACITOR	0.1uF 10V K	
				01E,D	C721	NDCA1HJ-471W	C CAPACITOR	470pF 50V J	
				V5301	C731	QEKJ0JM-476Z	E CAPACITOR	47uF 6.3V M	
C146	QEKJ1HM-225Z	E CAPACITOR	2.2uF 50V M	EU,D	C732	NCBA1CK-103W	C CAPACITOR	0.01uF 16V K	
				V5302	C743	NDCA1HJ-270W	C CAPACITOR	27pF 50V J	
				E,DV5	C744	NDCA1HJ-220W	C CAPACITOR	22pF 50V J	
				302E	C751	NCFA1AZ-474W	C CAPACITOR	0.47uF 10V Z	
				U	C752	NDCA1HJ-471W	C CAPACITOR	470pF 50V J	
				DV53	C753	QEKJ1AM-227Z	E CAPACITOR	220uF 10V M	
				01E,D	C754	QEKJ1AM-227Z	E CAPACITOR	220uF 10V M	
				V5301	C755	QEKJ1AM-227Z	E CAPACITOR	220uF 10V M	
C151	QTE1C57-106Z	E CAPACITOR	10uF 16V	EU,D	C756	NCBA1AK-473W	C CAPACITOR	0.047uF 10V K	
				V5302	C757	NDCA1HJ-471W	C CAPACITOR	470pF 50V J	
				E,DV5	C761	NDCA1HJ-471W	C CAPACITOR	470pF 50V J	
				302E	C801	NDCA1HJ-220W	C CAPACITOR	22pF 50V J	
				U	C802	NDCA1HJ-220W	C CAPACITOR	22pF 50V J	
					C803	NCBA1AK-473W	C CAPACITOR	0.047uF 10V K	
					C804	NDCA1HJ-220W	C CAPACITOR	22pF 50V J	
					C805	QEKJ1HM-225Z	E CAPACITOR	2.2uF 50V M	

△ Symbol No.	Part No.	Part Name	Description	Local	△ Symbol No.	Part No.	Part Name	Description	Local
C806	QEKJ1HM-225Z	E CAPACITOR	2.2uF 50V M						DV53
C821	QEKJ1CM-106Z	E CAPACITOR	10uF 16V M						01E,D
C822	QEKJ1CM-106Z	E CAPACITOR	10uF 16V M						V5301
C823	NCBA1CK-103W	C CAPACITOR	0.01uF 16V K		R104	NRSA6AJ-103W	MG RESISTOR	10kΩ 1/16W J	EU,D
									V5302
									E,DV5
									302E
									U
C831	NDCA1HJ-101W	C CAPACITOR	100pF 50V J	DV53	R105	NRSA6AJ-103W	MG RESISTOR	10kΩ 1/16W J	01E,D
				EU,D					V5301
				V5302					EU,D
				E,DV5					V5302
				302E					E,DV5
				U					302E
C861	QEKJ0JM-476Z	E CAPACITOR	47uF 6.3V M		R106	NRSA6AJ-103W	MG RESISTOR	10kΩ 1/16W J	U
C862	QEKJ1CM-107Z	E CAPACITOR	100uF 16V M						DV53
C885	QEKJ1CM-106Z	E CAPACITOR	10uF 16V M						01E,D
C892	NCBA1AK-104W	C CAPACITOR	0.1uF 10V K						V5301
C901	QEZ0843-278	E CAPACITOR	2700uF		R107	NRSA6AJ-103W	MG RESISTOR	10kΩ 1/16W J	EU,D
C902	NCBA1AK-104W	C CAPACITOR	0.1uF 10V K						V5302
C903	QEKJ1HM-225Z	E CAPACITOR	2.2uF 50V M						E,DV5
C913	QEKJ1CM-106Z	E CAPACITOR	10uF 16V M						302E
C914	NCBA1AK-104W	C CAPACITOR	0.1uF 10V K						U
C915	QEKJ1AM-107Z	E CAPACITOR	100uF 10V M						DV53
C916	NCBA1AK-104W	C CAPACITOR	0.1uF 10V K						01E,D
C917	NCBA1CK-103W	C CAPACITOR	0.01uF 16V K		R108	NRSA6AJ-0R0W	MG RESISTOR	0Ω 1/16W J	V5301
C919	NCBA1AK-473W	C CAPACITOR	0.047uF 10V K						EU,D
C920	QEKJ1CM-226Z	E CAPACITOR	22uF 16V M						V5302
C921	QEKJ1AM-227Z	E CAPACITOR	220uF 10V M						E,DV5
C922	QEKJ1AM-107Z	E CAPACITOR	100uF 10V M						302E
C923	QEKJ1AM-227Z	E CAPACITOR	220uF 10V M						U
C924	NBZ0009-127X	E. CAPACITOR	120uF						DV53
C925	QEZ0595-477Z	E CAPACITOR	470uF 25V M						01E,D
C926	NCBA1AK-104W	C CAPACITOR	0.1uF 10V K		R108	NRSA6AJ-0R0W	MG RESISTOR	0Ω 1/16W J	V5301
C961	NCBA1AK-473W	C CAPACITOR	0.047uF 10V K						EU,D
C963	NCBA1AK-104W	C CAPACITOR	0.1uF 10V K						V5302
C964	NCBA1AK-104W	C CAPACITOR	0.1uF 10V K						E,DV5
C971	QEKJ1CM-107Z	E CAPACITOR	100uF 16V M						302E
C972	NCBA1AK-473W	C CAPACITOR	0.047uF 10V K						U
C973	QEKJ1AM-227Z	E CAPACITOR	220uF 10V M						DV53
C974	NDCA1HJ-102W	C CAPACITOR	1000pF 50V J						01E,D
C975	QEKJ1AM-227Z	E CAPACITOR	220uF 10V M		R112	NRSA6AJ-103W	MG RESISTOR	10kΩ 1/16W J	V5301
C981	NCBA1AK-104W	C CAPACITOR	0.1uF 10V K						EU,D
									V5302
									E,DV5
									302E
									U
R1	NRSA6AJ-102W	MG RESISTOR	1kΩ 1/16W J						DV53
R3	NRSA6AJ-473W	MG RESISTOR	47kΩ 1/16W J						01E,D
R4	NRSA6AJ-472W	MG RESISTOR	4.7kΩ 1/16W J						V5301
R5	NRSA6AJ-472W	MG RESISTOR	4.7kΩ 1/16W J						EU,D
R6	NRSA6AJ-102W	MG RESISTOR	1kΩ 1/16W J		R113	NRSA6AJ-103W	MG RESISTOR	10kΩ 1/16W J	V5302
R7	NRS181J-120X	MG RESISTOR	12Ω 1/8W J						E,DV5
R8	NRS181J-120X	MG RESISTOR	12Ω 1/8W J						302E
R9	NRSA6AJ-332W	MG RESISTOR	3.3kΩ 1/16W J						U
R11	NRSA6AJ-0R0W	MG RESISTOR	0Ω 1/16W J						DV53
R12	NRSA6AJ-0R0W	MG RESISTOR	0Ω 1/16W J						01E,D
R71	NRSA6AJ-101W	MG RESISTOR	100Ω 1/16W J						V5301
R72	NRSA6AJ-202W	MG RESISTOR	2kΩ 1/16W J						EU,D
R73	NRSA6AJ-103W	MG RESISTOR	10kΩ 1/16W J		R114	NRSA6AJ-103W	MG RESISTOR	10kΩ 1/16W J	V5302
R81	NRSA6AJ-123W	MG RESISTOR	12kΩ 1/16W J						E,DV5
R82	NRSA6AJ-512W	MG RESISTOR	5.1kΩ 1/16W J						302E
R91	NRSA6AJ-123W	MG RESISTOR	12kΩ 1/16W J						U
R92	NRSA6AJ-512W	MG RESISTOR	5.1kΩ 1/16W J						DV53
									01E,D
									V5301
R102	NRSA6AJ-103W	MG RESISTOR	10kΩ 1/16W J	DV53	R115	NRSA6AJ-103W	MG RESISTOR	10kΩ 1/16W J	EU,D
				01E,D					V5302
				V5301					E,DV5
				EU,D					302E
				V5302					U
				E,DV5					DV53
				302E					01E,D
				U					V5301
									EU,D
									V5302
									E,DV5
									302E
									U
R103	NRSA6AJ-103W	MG RESISTOR	10kΩ 1/16W J	DV53	R116	NRSA6AJ-103W	MG RESISTOR	10kΩ 1/16W J	01E,D
				01E,D					V5301
				V5301					EU,D
				EU,D					V5302
				V5302					E,DV5
				E,DV5					302E
				302E					U
				U					

△ Symbol No.	Part No.	Part Name	Description	Local	△ Symbol No.	Part No.	Part Name	Description	Local
R117	NRSA6AJ-103W	MG RESISTOR	10kΩ 1/16W J	DV53 01E,D V5301 EU,D V5302 E,DV5 302E U	R339	NRSA6AJ-102W	MG RESISTOR	1kΩ 1/16W J	
R118	NRSA6AJ-0R0W	MG RESISTOR	0Ω 1/16W J	DV53 01E,D V5301 EU,D V5302 E,DV5 302E U	R340	NRSA6AJ-102W	MG RESISTOR	1kΩ 1/16W J	
R143	NRSA6AJ-471W	MG RESISTOR	470Ω 1/16W J	DV53 01E,D V5301 EU,D V5302 E,DV5 302E U	R343	NRSA6AJ-473W	MG RESISTOR	47kΩ 1/16W J	
R144	NRSA6AJ-473W	MG RESISTOR	47kΩ 1/16W J	DV53 01E,D V5301 EU,D V5302 E,DV5 302E U	R345	NRSA6AJ-102W	MG RESISTOR	1kΩ 1/16W J	
R145	NRSA6AJ-473W	MG RESISTOR	47kΩ 1/16W J	DV53 01E,D V5301 EU,D V5302 E,DV5 302E U	R346	NRSA6AJ-101W	MG RESISTOR	100Ω 1/16W J	
R146	NRSA6AJ-473W	MG RESISTOR	47kΩ 1/16W J	DV53 01E,D V5301 EU,D V5302 E,DV5 302E U	R347	NRSA6AJ-0R0W	MG RESISTOR	0Ω 1/16W J	
R147	NRSA6AJ-473W	MG RESISTOR	47kΩ 1/16W J	DV53 01E,D V5301 EU,D V5302 E,DV5 302E U	R349	NRSA6AJ-102W	MG RESISTOR	1kΩ 1/16W J	
R151	NRSA6AJ-222W	MG RESISTOR	2.2kΩ 1/16W J	DV53 01E,D V5301 EU,D V5302 E,DV5 302E U	R350	NRSA6AJ-102W	MG RESISTOR	1kΩ 1/16W J	
R152	NRSA6AJ-222W	MG RESISTOR	2.2kΩ 1/16W J	DV53 01E,D V5301 EU,D V5302 E,DV5 302E U	R353	NRSA6AJ-473W	MG RESISTOR	47kΩ 1/16W J	
R171	NRSA6AJ-222W	MG RESISTOR	2.2kΩ 1/16W J		R355	NRSA6AJ-102W	MG RESISTOR	1kΩ 1/16W J	
R174	NRSA6AJ-393W	MG RESISTOR	39kΩ 1/16W J		R356	NRSA6AJ-101W	MG RESISTOR	100Ω 1/16W J	
R175	NRSA6AJ-472W	MG RESISTOR	4.7kΩ 1/16W J		R357	NRSA6AJ-0R0W	MG RESISTOR	0Ω 1/16W J	
R181	NRSA6AJ-222W	MG RESISTOR	2.2kΩ 1/16W J		R359	NRSA6AJ-102W	MG RESISTOR	1kΩ 1/16W J	
R184	NRSA6AJ-393W	MG RESISTOR	39kΩ 1/16W J		R360	NRSA6AJ-102W	MG RESISTOR	1kΩ 1/16W J	
R185	NRSA6AJ-472W	MG RESISTOR	4.7kΩ 1/16W J		R401	NRSA6AJ-471W	MG RESISTOR	470Ω 1/16W J	
R302	NRSA6AJ-0R0W	MG RESISTOR	0Ω 1/16W J		R402	NRSA6AJ-100W	MG RESISTOR	10Ω 1/16W J	
R303	NRSA6AJ-103W	MG RESISTOR	10kΩ 1/16W J		R403	NRSA6AJ-471W	MG RESISTOR	470Ω 1/16W J	
R304	NRSA6AJ-473W	MG RESISTOR	47kΩ 1/16W J		R404	NRSA6AJ-1R0W	MG RESISTOR	1Ω 1/16W J	
R305	NRSA6AJ-472W	MG RESISTOR	4.7kΩ 1/16W J		R412	NRSA6AD-682W	MG RESISTOR	6.8kΩ 1/16W D	
R327	NRSA6AJ-0R0W	MG RESISTOR	0Ω 1/16W J		R413	NRSA6AD-181W	MG RESISTOR	180Ω 1/16W D	
R329	NRSA6AJ-102W	MG RESISTOR	1kΩ 1/16W J		R414	NRSA6AJ-102W	MG RESISTOR	1kΩ 1/16W J	
R330	NRSA6AJ-102W	MG RESISTOR	1kΩ 1/16W J		R415	NRSA6AJ-750W	MG RESISTOR	75Ω 1/16W J	
R337	NRSA6AJ-0R0W	MG RESISTOR	0Ω 1/16W J		R416	NRSA6AJ-0R0W	MG RESISTOR	0Ω 1/16W J	
					R417	NRSA6AJ-100W	MG RESISTOR	10Ω 1/16W J	
					R701	NRSA6AJ-271W	MG RESISTOR	270Ω 1/16W J	
					R702	NRSA6AJ-271W	MG RESISTOR	270Ω 1/16W J	
					R703	NRSA6AJ-103W	MG RESISTOR	10kΩ 1/16W J	
					R721	NRSA6AJ-271W	MG RESISTOR	270Ω 1/16W J	
					R722	NRSA6AJ-432W	MG RESISTOR	4.3kΩ 1/16W J	
					R723	NRSA6AJ-271W	MG RESISTOR	270Ω 1/16W J	
					R725	NRSA6AJ-224W	MG RESISTOR	220kΩ 1/16W J	
					R726	NRSA6AJ-224W	MG RESISTOR	220kΩ 1/16W J	
					R727	NRSA6AJ-222W	MG RESISTOR	2.2kΩ 1/16W J	
					R728	NRSA6AJ-222W	MG RESISTOR	2.2kΩ 1/16W J	
					R729	NRSA6AJ-222W	MG RESISTOR	2.2kΩ 1/16W J	
					R730	NRSA6AJ-222W	MG RESISTOR	2.2kΩ 1/16W J	
					R731	NRSA6AJ-103W	MG RESISTOR	10kΩ 1/16W J	
					R732	NRSA6AJ-222W	MG RESISTOR	2.2kΩ 1/16W J	
					R733	NRSA6AJ-473W	MG RESISTOR	47kΩ 1/16W J	
					R735	NRSA6AJ-472W	MG RESISTOR	4.7kΩ 1/16W J	
					R736	NRSA6AJ-472W	MG RESISTOR	4.7kΩ 1/16W J	
					R737	NRSA6AJ-224W	MG RESISTOR	220kΩ 1/16W J	
					R738	NRSA6AJ-224W	MG RESISTOR	220kΩ 1/16W J	
					R740	NRSA6AJ-103W	MG RESISTOR	10kΩ 1/16W J	
					R741	NRSA6AJ-106W	MG RESISTOR	10MΩ 1/16W J	
					R742	NRSA6AJ-473W	MG RESISTOR	47kΩ 1/16W J	
					R743	NRSA6AJ-0R0W	MG RESISTOR	0Ω 1/16W J	
					R745	NRSA6AJ-472W	MG RESISTOR	4.7kΩ 1/16W J	
					R746	NRSA6AJ-472W	MG RESISTOR	4.7kΩ 1/16W J	
					R747	NRSA6AJ-472W	MG RESISTOR	4.7kΩ 1/16W J	
					R748	NRSA6AJ-103W	MG RESISTOR	10kΩ 1/16W J	
					R761	NRSA6AJ-472W	MG RESISTOR	4.7kΩ 1/16W J	
					R762	NRSA6AJ-472W	MG RESISTOR	4.7kΩ 1/16W J	
					R763	NRSA6AJ-472W	MG RESISTOR	4.7kΩ 1/16W J	
					R764	NRSA6AJ-102W	MG RESISTOR	1kΩ 1/16W J	
					R765	NRSA6AJ-222W	MG RESISTOR	2.2kΩ 1/16W J	
					R766	NRSA6AJ-331W	MG RESISTOR	330Ω 1/16W J	
					R767	NRSA6AJ-331W	MG RESISTOR	330Ω 1/16W J	
					R768	NRSA6AJ-222W	MG RESISTOR	2.2kΩ 1/16W J	
					R769	NRSA6AJ-222W	MG RESISTOR	2.2kΩ 1/16W J	DV53 01E,D V5301 EU,D V5302 E,DV5 302E U
					R770	NRSA6AJ-223W	MG RESISTOR	22kΩ 1/16W J	DV53 01E,D V5301 EU,D V5302 E,DV5 302E U
					R771	NRSA6AJ-333W	MG RESISTOR	33kΩ 1/16W J	
					R772	NRSA6AJ-103W	MG RESISTOR	10kΩ 1/16W J	
					R773	NRSA6AJ-473W	MG RESISTOR	47kΩ 1/16W J	
					R774	NRSA6AJ-562W	MG RESISTOR	5.6kΩ 1/16W J	
					R775	NRSA6AJ-472W	MG RESISTOR	4.7kΩ 1/16W J	

△ Symbol No.	Part No.	Part Name	Description	Local	△ Symbol No.	Part No.	Part Name	Description	Local
R778	NRSA6AJ-0R0W	MG RESISTOR	0Ω 1/16W J		L752	QQL244J-470Z	COIL	47uH J	
R779	NRSA6AJ-0R0W	MG RESISTOR	0Ω 1/16W J		L901	QQR1378-002	COIL		
R780	NRSA6AJ-472W	MG RESISTOR	4.7kΩ 1/16W J		L911	NQL56CK-220X	COIL	22uH K	
R781	NRSA6AJ-472W	MG RESISTOR	4.7kΩ 1/16W J		L921	NQL56CK-220X	COIL	22uH K	
R782	NRSA6AJ-0R0W	MG RESISTOR	0Ω 1/16W J		L922	NQLB7GM-100X	COIL	10uH M	
R783	NRSA6AJ-392W	MG RESISTOR	3.9kΩ 1/16W J		L923	NQL71EM-330X	COIL	33uH M	
R784	NRSA6AJ-392W	MG RESISTOR	3.9kΩ 1/16W J						
R785	NRSA6AJ-472W	MG RESISTOR	4.7kΩ 1/16W J						DV53
R786	NRSA6AJ-472W	MG RESISTOR	4.7kΩ 1/16W J						01E,D
R787	NRSA6AJ-472W	MG RESISTOR	4.7kΩ 1/16W J						V5301
R788	NRSA6AJ-472W	MG RESISTOR	4.7kΩ 1/16W J		CN141	QGA2006C1-04	CONNECTOR	W-B (1-4)	EU,D
R789	NRSA6AJ-472W	MG RESISTOR	4.7kΩ 1/16W J						V5302
				DV53					E,DV5
				01E,D					302E
				V5301					U
R791	NRSA6AJ-103W	MG RESISTOR	10kΩ 1/16W J		CN701	QGZ1601J1-15	CONNECTOR	(1-15)	
				EU,D	CN821	QGA2001C1-02	CONNECTOR	W-B (1-2)	
				V5302					
				E,DV5					
				302E					
				U					
R793	NRSA6AJ-0R0W	MG RESISTOR	0Ω 1/16W J		CN831	QGA2001F1-02	CONNECTOR	W-B (1-2)	
R794	NRSA6AJ-0R0W	MG RESISTOR	0Ω 1/16W J						
R795	NRSA6AJ-103W	MG RESISTOR	10kΩ 1/16W J						DV53
R796	NRSA6AJ-0R0W	MG RESISTOR	0Ω 1/16W J						01E,D
R797	NRSA6AJ-392W	MG RESISTOR	3.9kΩ 1/16W J						V5301
									EU,D
									V5302
									E,DV5
									302E
									U
R798	NRSA6AJ-103W	MG RESISTOR	10kΩ 1/16W J	DV53	CN901	QNZ0607-001	CAR CONNECTOR		
				07EE,	CN961	QGB2044M1-30	CONNECTOR	B-B (1-30)	
				DV53	CN962	QGF0534F3-45X	CONNECTOR	FFC/FPC (1-45)	
				08EE	CN963	QGB2043L1-30X	CONNECTOR	B-B (1-30)	
R801	NRSA6AJ-101W	MG RESISTOR	100Ω 1/16W J		J1	QNB0190-001	CAR ANT JACK		
R802	NRSA6AJ-473W	MG RESISTOR	47kΩ 1/16W J		J331	QNN0770-001	3P PIN JACK		
R803	NRSA6AJ-223W	MG RESISTOR	22kΩ 1/16W J		J801	QNZ0095-001	CONNECTOR		
R804	NRSA6AJ-104W	MG RESISTOR	100kΩ 1/16W J		K401	NQR0007-002X	FERRITE BEADS		
R805	NRSA6AJ-103W	MG RESISTOR	10kΩ 1/16W J		K402	NQR0007-002X	FERRITE BEADS		
R806	NRSA6AJ-104W	MG RESISTOR	100kΩ 1/16W J		K411	NQR0201-004X	FERRITE BEADS		
R807	NRSA6AJ-331W	MG RESISTOR	330Ω 1/16W J						DV53
R808	NRSA6AJ-223W	MG RESISTOR	22kΩ 1/16W J						01E,D
R809	NRSA6AJ-101W	MG RESISTOR	100Ω 1/16W J						V5301
R810	NRSA6AJ-473W	MG RESISTOR	47kΩ 1/16W J		K831	NQR0007-002X	FERRITE BEADS		EU,D
R821	NRSA6AJ-100W	MG RESISTOR	10Ω 1/16W J						V5302
R822	NRSA6AJ-471W	MG RESISTOR	470Ω 1/16W J						E,DV5
R823	NRSA6AJ-223W	MG RESISTOR	22kΩ 1/16W J						302E
									U
				DV53					
				01E,D					
				V5301					
R832	NRSA6AJ-271W	MG RESISTOR	270Ω 1/16W J		PP1	QZW0010-001	STYLE PIN		EU,D
									V5302
									E,DV5
									302E
									U
R861	NRSA6AJ-471W	MG RESISTOR	470Ω 1/16W J						DV53
R885	NRSA6AJ-473W	MG RESISTOR	47kΩ 1/16W J						01E,D
R886	NRSA6AJ-472W	MG RESISTOR	4.7kΩ 1/16W J						V5301
R887	NRSA6AJ-103W	MG RESISTOR	10kΩ 1/16W J		PP2	QZW0010-001	STYLE PIN		EU,D
R891	NRSA6AJ-473W	MG RESISTOR	47kΩ 1/16W J						V5302
R892	NRSA6AJ-102W	MG RESISTOR	1kΩ 1/16W J						E,DV5
R893	NRSA6AJ-332W	MG RESISTOR	3.3kΩ 1/16W J						302E
R901	QRE142J-102X	C RESISTOR	1kΩ 1/4W J		S731	QSW0648-001Z	TACT SW		U
R902	NRSA6AJ-912W	MG RESISTOR	9.1kΩ 1/16W J		TH721	NAD0028-103X	N THERMISTOR	10kΩ	
R911	NRSA6AJ-682W	MG RESISTOR	6.8kΩ 1/16W J						DV53
R912	NRSA6AJ-102W	MG RESISTOR	1kΩ 1/16W J						01E,D
R913	NRSA6AJ-123W	MG RESISTOR	12kΩ 1/16W J						V5301
R914	NRSA6AJ-472W	MG RESISTOR	4.7kΩ 1/16W J		△ TU1	QAU0484-001	TUNER PACK		EU,D
R922	NRSA6AJ-473W	MG RESISTOR	47kΩ 1/16W J						V5302
R961	NRSA6AJ-103W	MG RESISTOR	10kΩ 1/16W J						E,DV5
R962	NRSA6AJ-103W	MG RESISTOR	10kΩ 1/16W J						302E
R963	NRSA6AJ-103W	MG RESISTOR	10kΩ 1/16W J						U
R971	NRSA6AJ-101W	MG RESISTOR	100Ω 1/16W J						DV53
R972	NRS181J-221X	MG RESISTOR	220Ω 1/8W J		△ TU1	QAU0485-001	TUNER PACK		07EE,
R973	NRSA6AJ-222W	MG RESISTOR	2.2kΩ 1/16W J						DV53
R974	NRSA6AJ-473W	MG RESISTOR	47kΩ 1/16W J						08EE
R976	NRSA6AJ-563W	MG RESISTOR	56kΩ 1/16W J		X71	QAX0263-001Z	CRYSTAL	4.332MHz	
R977	NRSA6AJ-183W	MG RESISTOR	18kΩ 1/16W J		X721	QAX0401-001	CRYSTAL	32.768KHz	
R981	NRS181J-222X	MG RESISTOR	2.2kΩ 1/8W J		X722	QAX0916-001Z	CRYSTAL		
R982	NRS181J-222X	MG RESISTOR	2.2kΩ 1/8W J						
RA763	NRZ0065-222X	NET RESISTOR	2.2kΩ						
L1	QQL244J-4R7Z	P COIL	4.7uH J						
L401	NQR0007-002X	FERRITE BEADS							
L411	NQL114K-470X	INDUCTOR	47uH K						

Switch board

(DV5301,DV5302,DV5307,DV5308)

Block No. [0][4]

△ Symbol No.	Part No.	Part Name	Description	Local
IC661	PT6523LQ-L	LCD DRIVER		
IC681	RPM7338-V4	RM.RECEIVER		
D630	SML-310LT/MN/-X	LED		
D631	LSQ971/KL/-X	LED		
D632	LSQ971/KL/-X	LED		
D633	LSQ971/KL/-X	LED		
D634	LSQ971/KL/-X	LED		
D635	LSQ971/KL/-X	LED		
D636	LSQ971/KL/-X	LED		
D637	LSQ971/KL/-X	LED		
D638	LSQ971/KL/-X	LED		
D639	LSQ971/KL/-X	LED		
D640	LSQ971/KL/-X	LED		
D641	LSQ971/KL/-X	LED		
D642	LSQ971/KL/-X	LED		
D643	LSQ971/KL/-X	LED		
D644	LSQ971/KL/-X	LED		
D645	LSQ971/KL/-X	LED		
D646	LSQ971/KL/-X	LED		
D647	LSQ971/KL/-X	LED		
D648	LSQ971/KL/-X	LED		
D649	LSQ971/KL/-X	LED		
D650	NSPW310BS/B2RST	LED		
D651	NSPW310BS/B2RST	LED		
D661	1SS355W-X	DIODE		
D661	or MA111-X	SI DIODE		
D662	UDZW5.1B-X	SB DIODE		
D662	or MA8051/M-X	Z DIODE		
C661	NCB21AK-105X	C CAPACITOR	1uF 10V K	
C662	NCS31HJ-681X	C CAPACITOR	680pF 50V J	
C663	NCB31HK-223X	C CAPACITOR	0.022uF 50V K	
C682	NCB31HK-103X	C CAPACITOR	0.01uF 50V K	
R601	NRSA63J-821X	MG RESISTOR	820Ω 1/16W J	
R602	NRSA63J-821X	MG RESISTOR	820Ω 1/16W J	DV53 04UI, DV53 05U,D V5305 UN,D
R603	NRSA63J-122X	MG RESISTOR	1.2kΩ 1/16W J	V5305 UT,DV 5305A _DV53 06U,D V5306 UN,D V5306 UT,DV 5306A
R604	NRSA63J-182X	MG RESISTOR	1.8kΩ 1/16W J	DV53 04UI, DV53 05U,D V5305 UN,D V5305 UT,DV 5305A _DV53 06U,D V5306 UN,D V5306 UT,DV 5306A
R605	NRSA63J-272X	MG RESISTOR	2.7kΩ 1/16W J	
R606	NRSA63J-821X	MG RESISTOR	820Ω 1/16W J	
R607	NRSA63J-821X	MG RESISTOR	820Ω 1/16W J	
R608	NRSA63J-122X	MG RESISTOR	1.2kΩ 1/16W J	
R609	NRSA63J-182X	MG RESISTOR	1.8kΩ 1/16W J	
R610	NRSA63J-272X	MG RESISTOR	2.7kΩ 1/16W J	
R611	NRSA63J-821X	MG RESISTOR	820Ω 1/16W J	
R612	NRSA63J-821X	MG RESISTOR	820Ω 1/16W J	
R613	NRSA63J-122X	MG RESISTOR	1.2kΩ 1/16W J	
R614	NRSA63J-182X	MG RESISTOR	1.8kΩ 1/16W J	
R615	NRSA63J-272X	MG RESISTOR	2.7kΩ 1/16W J	
R616	NRSA63J-392X	MG RESISTOR	3.9kΩ 1/16W J	
R617	NRSA63J-103X	MG RESISTOR	10kΩ 1/16W J	
R630	NRSA02J-621X	MG RESISTOR	620Ω 1/10W J	
R632	NRSA02J-621X	MG RESISTOR	620Ω 1/10W J	
R634	NRSA02J-621X	MG RESISTOR	620Ω 1/10W J	
R636	NRSA63J-561X	MG RESISTOR	560Ω 1/16W J	
R638	NRSA63J-561X	MG RESISTOR	560Ω 1/16W J	
R640	NRSA02J-621X	MG RESISTOR	620Ω 1/10W J	
R642	NRSA63J-561X	MG RESISTOR	560Ω 1/16W J	
R644	NRSA63J-561X	MG RESISTOR	560Ω 1/16W J	
R646	NRSA63J-561X	MG RESISTOR	560Ω 1/16W J	
R648	NRSA63J-561X	MG RESISTOR	560Ω 1/16W J	
R650	NRSA63J-561X	MG RESISTOR	560Ω 1/16W J	
R652	NRSA02J-621X	MG RESISTOR	620Ω 1/10W J	
R654	NRSA02J-271X	MG RESISTOR	270Ω 1/10W J	
R657	NRSA02J-181X	MG RESISTOR	180Ω 1/10W J	
R660	NRSA63J-0R0X	MG RESISTOR	0Ω 1/16W J	
R661	NRSA63J-222X	MG RESISTOR	2.2kΩ 1/16W J	
R662	NRSA63J-222X	MG RESISTOR	2.2kΩ 1/16W J	
R663	NRSA63J-225X	MG RESISTOR	2.2MΩ 1/16W J	
R664	NRSA63J-103X	MG RESISTOR	10kΩ 1/16W J	
R665	NRSA63J-513X	MG RESISTOR	51kΩ 1/16W J	

△ Symbol No.	Part No.	Part Name	Description	Local
R666	NRSA63J-103X	MG RESISTOR	10kΩ 1/16W J	
R667	NRSA63J-103X	MG RESISTOR	10kΩ 1/16W J	
R668	NRSA63J-103X	MG RESISTOR	10kΩ 1/16W J	
R681	NRSA63J-471X	MG RESISTOR	470Ω 1/16W J	
R682	NRSA63J-103X	MG RESISTOR	10kΩ 1/16W J	

△ Symbol No.	Part No.	Part Name	Description	Local
CJ601	QGZ1601K1-15S	CONNECTOR	(1-15)	
JS686	QSW1219-001	ROTARY ENCODER		
S601	NSW0124-001X	TACT SW		
S602	NSW0124-001X	TACT SW		
S603	NSW0124-001X	TACT SW		
S604	NSW0124-001X	TACT SW		
S605	NSW0124-001X	TACT SW		
S606	NSW0124-001X	TACT SW		
S607	NSW0124-001X	TACT SW		
S608	NSW0124-001X	TACT SW		
S609	NSW0124-001X	TACT SW		
S610	NSW0124-001X	TACT SW		
S611	NSW0124-001X	TACT SW		
S612	NSW0124-001X	TACT SW		
S613	NSW0124-001X	TACT SW		
S614	NSW0124-001X	TACT SW		
S615	NSW0124-001X	TACT SW		
S616	NSW0124-001X	TACT SW		
S617	NSW0124-001X	TACT SW		
S618	NSW0124-001X	TACT SW		

Main board

(DV5304,DV5305,DV5306,DV4304,DV4305,DV4306)

Block No. [0][5]

△ Symbol No.	Part No.	Part Name	Description	Local
IC101	HA17558AF-X	IC		DV53 04UI, DV53 05U,D V5305 UN,D V5305 UT,DV 5305A _DV53 06U,D V5306 UN,D V5306 UT,DV 5306A
IC111	TC4053BFT-X	IC		DV53 04UI, DV53 05U,D V5305 UN,D V5305 UT,DV 5305A _DV53 06U,D V5306 UN,D V5306 UT,DV 5306A

△ Symbol No.	Part No.	Part Name	Description	Local	△ Symbol No.	Part No.	Part Name	Description	Local	
				DV53 04UI, DV53 05U,D V5305 UN,D V5305 UT,DV 5305A ,DV53 06U,D V5306 UN,D V5306 UT,DV 5306A						DV53 04UI, DV53 05U,D V5305 UN,D V5305 UT,DV 5305A ,DV53 06U,D V5306 UN,D V5306 UT,DV 5306A
	IC151	TC4066BFT-X	IC		Q151	or UN2211-X	TRANSISTOR			
	IC161	NJW1192V-X	IC						DV53	
△	IC301	TB2904HQ	IC						04UI, DV53	
	IC401	TC7SET08F-X	IC						05U,D V5305 UN,D	
	IC402	TOTX177L	OPTICAL JACK						V5305 UN,D	
	IC411	MM1510XN-X	IC						V5305 UT,DV	
△	IC721	UPD78F1166GC1C	IC(PROGRAMD)		Q152	RT1N141C-X	DIGI TRANSISTOR		5305A ,DV53 06U,D V5306 UN,D V5306 UT,DV 5306A	
	IC731	IC-PST3433U-X	IC						DV53 04UI, DV53	
	IC731	or S-80833CNNB-G-W	IC						05U,D V5305 UN,D	
	IC801	HD74HC126FP-X	IC						V5305 UT,DV 5305A ,DV53 06U,D V5306 UN,D V5306 UT,DV 5306A	
△	IC911	R2S25400DS-E	IC						DV53 04UI, DV53	
	IC921	BA33BC0FP-X	IC						05U,D V5305 UN,D	
	IC922	LA5777MP-X	IC						V5305 UT,DV	
	IC961	TC74LCX32FT-F-X	IC						5305A ,DV53 06U,D V5306 UN,D V5306 UT,DV 5306A	
	IC962	TC74VHCT32AFT-X	IC						DV53 04UI, DV53	
	Q1	RT1N141C-X	DIGI TRANSISTOR						05U,D V5305 UN,D	
	Q1	or UN2211-X	TRANSISTOR						V5305 UT,DV 5305A ,DV53 06U,D V5306 UN,D V5306 UT,DV 5306A	
				DV53 04UI, DV53 05U,D V5305 UN,D V5305 UT,DV 5305A ,DV53 06U,D V5306 UN,D V5306 UT,DV 5306A						
	Q121	RT1N141C-X	DIGI TRANSISTOR		Q152	or UN2211-X	TRANSISTOR			
				V5305 UT,DV 5305A ,DV53 06U,D V5306 UN,D V5306 UT,DV 5306A						
				V5306 UT,DV 5306A	Q301	RT1N441C-X	TRANSISTOR			
				UT,DV 5306A	Q301	or UN2213-X	DIGI TRANSISTOR			
				DV53	Q302	RT1P441C-X	DIGI TRANSISTOR			
				04UI, DV53	Q302	or UN2113-X	TRANSISTOR			
				05U,D V5305 UN,D	Q303	RT6N430C-X	TRANSISTOR			
				V5305 UT,DV 5305A ,DV53 06U,D V5306 UN,D V5306 UT,DV 5306A	Q344	RT6N430C-X	TRANSISTOR			
				V5306 UN,D V5306 UT,DV 5306A	Q354	RT6N430C-X	TRANSISTOR			
				DV53	Q821	UN2211-X	TRANSISTOR			
				04UI, DV53	Q821	or RT1N141C-X	DIGI TRANSISTOR			
				05U,D V5305 UN,D	Q822	UN2111-X	TRANSISTOR			
				V5305 UT,DV 5305A ,DV53 06U,D V5306 UN,D V5306 UT,DV 5306A	Q822	or RT1P141C-X	DIGI TRANSISTOR			
				DV53	Q823	2SC4485/ST-T	TRANSISTOR			
				04UI, DV53	Q861	UN2111-X	TRANSISTOR			
				05U,D V5305 UN,D	Q861	or RT1P141C-X	DIGI TRANSISTOR			
				V5305 UT,DV 5305A ,DV53 06U,D V5306 UN,D V5306 UT,DV 5306A	Q862	UN2111-X	TRANSISTOR			
				DV53	Q862	or RT1P141C-X	DIGI TRANSISTOR			
				04UI, DV53	Q885	RT1N141C-X	DIGI TRANSISTOR			
				05U,D V5305 UN,D	Q885	or UN2211-X	TRANSISTOR			
				V5305 UT,DV 5305A ,DV53 06U,D V5306 UN,D V5306 UT,DV 5306A	Q911	RT1P141C-X	DIGI TRANSISTOR			
				DV53	Q911	or UN2111-X	TRANSISTOR			
				04UI, DV53	Q912	RT1N141C-X	DIGI TRANSISTOR			
				05U,D V5305 UN,D	Q912	or UN2211-X	TRANSISTOR			
				V5305 UT,DV 5305A ,DV53 06U,D V5306 UN,D V5306 UT,DV 5306A	Q921	RT1N141C-X	DIGI TRANSISTOR			
				DV53	Q921	or UN2211-X	TRANSISTOR			
				04UI, DV53	Q971	2SA1530A/R/-X	TRANSISTOR			
				05U,D V5305 UN,D	Q971	or 2SB709A/R/-X	TRANSISTOR			
				V5305 UT,DV 5305A ,DV53 06U,D V5306 UN,D V5306 UT,DV 5306A	Q971	RT1N141C-X	DIGI TRANSISTOR			
				DV53	Q972	or UN2211-X	TRANSISTOR			
				04UI, DV53	Q972	RT1N441C-X	TRANSISTOR			
				05U,D V5305 UN,D	Q976	RT1N441C-X	TRANSISTOR			
				V5305 UT,DV 5305A ,DV53 06U,D V5306 UN,D V5306 UT,DV 5306A	Q976	or UN2213-X	DIGI TRANSISTOR			
				DV53	Q977	2SA1530A/R/-X	TRANSISTOR			
				04UI, DV53	Q977	or 2SB709A/R/-X	TRANSISTOR			
				05U,D V5305 UN,D						
				V5305 UT,DV 5305A ,DV53 06U,D V5306 UN,D V5306 UT,DV 5306A	D1	1SS355W-X	DIODE			
				DV53	D1	or MA111-X	SI DIODE			

△ Symbol No.	Part No.	Part Name	Description	Local	△ Symbol No.	Part No.	Part Name	Description	Local
D2	1SS355W-X	DIODE							DV53
D2	or MA111-X	SI DIODE							04UI,
D301	UDZW11B-X	Z DIODE							DV53
D301	or MA8110/M-X	Z DIODE							05U,D
D302	1SS355W-X	DIODE							V5305
D302	or MA111-X	SI DIODE							UN,D
D303	or CRS03-W	SB DIODE			D712	UDZW6.2B-X	Z DIODE		V5305
D303	MA22D23-X	SB DIODE							UT,DV
D303	or RB160M-30-X	SB DIODE							5305A
D304	or CRS03-W	SB DIODE							,DV53
D304	MA22D23-X	SB DIODE							06U,D
D304	or RB160M-30-X	SB DIODE							V5306
D344	1SS355W-X	DIODE							UN,D
D344	or MA111-X	SI DIODE							V5306
D354	1SS355W-X	DIODE							UT,DV
D354	or MA111-X	SI DIODE							5306A
D401	or RB160M-30-X	SB DIODE							DV53
D401	MA22D23-X	SB DIODE							04UI,
D401	or CRS03-W	SB DIODE							DV53
									05U,D
									V5305
									UN,D
			DV53						V5305
			04UI,		D712	or MA8062/M-X	Z DIODE		UT,DV
			DV53						5305A
			05U,D						,DV53
			V5305						06U,D
			UN,D						V5306
			V5305						UN,D
D710	UDZW6.2B-X	Z DIODE							V5306
			UT,DV						5306A
			5305A						,DV53
			,DV53						06U,D
			06U,D						V5306
			V5306						UN,D
			UN,D						V5306
			V5306						UT,DV
			UT,DV						5306A
			5306A						DV53
			DV53						04UI,
			04UI,						DV53
			DV53		D713	UDZW6.2B-X	Z DIODE		05U,D
			05U,D						V5305
			V5305						UN,D
			UN,D						V5305
			V5305						UT,DV
			UT,DV						5305A
			5305A						,DV53
			,DV53						06U,D
			06U,D						V5306
			V5306						UN,D
			UN,D						V5306
			V5306						UT,DV
			UT,DV						5306A
			5306A						DV53
			DV53						04UI,
			04UI,						DV53
			DV53						05U,D
			05U,D						V5305
			V5305						UN,D
			UN,D						V5305
			V5305						UT,DV
			UT,DV						5305A
			5305A						,DV53
			,DV53						06U,D
			06U,D						V5306
			V5306						UN,D
			UN,D						V5306
			V5306						UT,DV
			UT,DV						5306A
			5306A						
					D731	1SS355W-X	DIODE		
					D731	or MA111-X	SI DIODE		
					D801	or RB160M-30-X	SB DIODE		
					D801	MA22D23-X	SB DIODE		
					D801	or CRS03-W	SB DIODE		
					D821	UDZW12B-X	Z DIODE		
					D821	or MA8120/M-X	Z DIODE		
					D851	or RB160M-30-X	SB DIODE		
					D851	MA22D23-X	SB DIODE		
					D851	or CRS03-W	SB DIODE		
					D852	or RB160M-30-X	SB DIODE		
					D852	MA22D23-X	SB DIODE		
					D852	or CRS03-W	SB DIODE		
					D861	MA111-X	SI DIODE		
					D861	or 1SS355W-X	DIODE		
					D862	MA111-X	SI DIODE		
					D862	or 1SS355W-X	DIODE		
					D863	MA8110/M-X	Z DIODE		
					D863	or UDZW11B-X	Z DIODE		
					D885	1SS355W-X	DIODE		
					D885	or MA111-X	SI DIODE		

△ Symbol No.	Part No.	Part Name	Description	Local	△ Symbol No.	Part No.	Part Name	Description	Local
△ D901	1N5401-TU-15	SI DIODE							DV53
△ D901	or 1N5401-F64	SI DIODE							04UI,
D902	GS1J-X	DIODE							DV53
D911	1SS355W-X	DIODE							05U,D
D911	or MA111-X	SI DIODE							V5305
D921	1A3G-T1	SI DIODE							UN,D
D922	RB051L-40-X	SB DIODE			C121	NCBA1AK-104W	C CAPACITOR	0.1uF 10V K	V5305
D971	or CRS03-W	SB DIODE							UT,DV
D971	MA22D23-X	SB DIODE							5305A
D971	or RB160M-30-X	SB DIODE							,DV53
D972	or CRS03-W	SB DIODE							06U,D
D972	MA22D23-X	SB DIODE							V5306
D972	or RB160M-30-X	SB DIODE							UN,D
D973	or CRS03-W	SB DIODE							V5306
D973	MA22D23-X	SB DIODE							UT,DV
D973	or RB160M-30-X	SB DIODE							5306A
D974	UDZW5.1B-X	SB DIODE							DV53
D974	or MA8051/M-X	Z DIODE							04UI,
D981	or RB160M-30-X	SB DIODE							DV53
D981	MA22D23-X	SB DIODE							05U,D
D981	or CRS03-W	SB DIODE			C141	NCBA1EK-472W	C CAPACITOR	4700pF 25V K	V5305
D982	or RB160M-30-X	SB DIODE							UN,D
D982	MA22D23-X	SB DIODE							UT,DV
D982	or CRS03-W	SB DIODE							5305A
C1	NCBA1AK-104W	C CAPACITOR	0.1uF 10V K						,DV53
C2	QEKJ1AM-107Z	E CAPACITOR	100uF 10V M						06U,D
C4	NCBA1AK-104W	C CAPACITOR	0.1uF 10V K						V5306
C5	NCBA1AK-104W	C CAPACITOR	0.1uF 10V K						UT,DV
C6	QEKJ1AM-107Z	E CAPACITOR	100uF 10V M						5306A
C7	NCBA1AK-104W	C CAPACITOR	0.1uF 10V K						DV53
C81	QEKJ1HM-475Z	E CAPACITOR	4.7uF 50V M						04UI,
C91	QEKJ1HM-475Z	E CAPACITOR	4.7uF 50V M						DV53
				DV53					05U,D
				04UI,	C142	NCBA1EK-472W	C CAPACITOR	4700pF 25V K	V5305
				DV53					UN,D
				05U,D					UT,DV
				V5305					5305A
				UN,D					,DV53
				V5305					06U,D
				UT,DV					V5306
				5305A					UN,D
				,DV53					V5306
				06U,D					UT,DV
				V5306					5306A
				UN,D					DV53
				V5306					04UI,
				UT,DV					DV53
				5306A					05U,D
				DV53					V5305
				04UI,					UN,D
				DV53	C143	NCFA1AZ-474W	C CAPACITOR	0.47uF 10V Z	V5305
				05U,D					UN,D
				V5305					UT,DV
				UN,D					5305A
				V5305					,DV53
				UT,DV					06U,D
				5305A					V5306
				,DV53					UN,D
				06U,D					V5306
				V5306					UT,DV
				UN,D					5306A
				V5306					DV53
				UT,DV					04UI,
				5306A					DV53
				DV53					05U,D
				04UI,					V5305
				DV53					UN,D
				05U,D	C145	QEKJ1HM-225Z	E CAPACITOR	2.2uF 50V M	V5305
				V5305					UN,D
				UN,D					UT,DV
				V5305					5305A
				UT,DV					,DV53
				5305A					06U,D
				,DV53					V5306
				06U,D					UN,D
				V5306					V5306
				UN,D					UT,DV
				V5306					5306A
				UT,DV					
				5306A					

△ Symbol No.	Part No.	Part Name	Description	Local	△ Symbol No.	Part No.	Part Name	Description	Local
				DV53	C189	NDCA1HJ-471W	C CAPACITOR	470pF 50V J	
				04UI,	C190	NCFA1AZ-474W	C CAPACITOR	0.47uF 10V Z	
				DV53	C301	QEKJ1CM-476Z	E CAPACITOR	47uF 16V M	
				05U,D	C302	NCBA1CK-103W	C CAPACITOR	0.01uF 16V K	
				V5305	C304	QERF1HM-475Z	E CAPACITOR	4.7uF 50V M	
				UN,D	C305	QTE1C57-476Z	E CAPACITOR	47uF 16V	
				V5305	C306	NCBA1CK-103W	C CAPACITOR	0.01uF 16V K	
				UT,DV	C307	NCBA1CK-103W	C CAPACITOR	0.01uF 16V K	
				5305A	C309	QEKJ1HM-225Z	E CAPACITOR	2.2uF 50V M	
				,DV53	C328	QFV91HJ-474Z	MF CAPACITOR	0.47uF 50V J	
				06U,D	C329	NDCA1HJ-101W	C CAPACITOR	100pF 50V J	
				V5306	C331	NCBA1CK-223W	C CAPACITOR	0.022uF 16V K	
				UN,D	C338	QFV91HJ-474Z	MF CAPACITOR	0.47uF 50V J	
				V5306	C339	NDCA1HJ-101W	C CAPACITOR	100pF 50V J	
				UT,DV	C346	QEKJ1EM-475Z	E CAPACITOR	4.7uF 25V M	
				5306A	C348	QFV91HJ-474Z	MF CAPACITOR	0.47uF 50V J	
				DV53	C349	NDCA1HJ-101W	C CAPACITOR	100pF 50V J	
				04UI,	C356	QEKJ1EM-475Z	E CAPACITOR	4.7uF 25V M	
				DV53	C358	QFV91HJ-474Z	MF CAPACITOR	0.47uF 50V J	
				05U,D	C359	NDCA1HJ-101W	C CAPACITOR	100pF 50V J	
				V5305	C401	NDCA1HJ-220W	C CAPACITOR	22pF 50V J	
				UN,D	C402	NCBA1CK-103W	C CAPACITOR	0.01uF 16V K	
				V5305	C403	NCBA1CK-103W	C CAPACITOR	0.01uF 16V K	
				UT,DV	C404	QEKJ0JM-107Z	E CAPACITOR	100uF 6.3V M	
				5305A	C405	NDCA1HJ-220W	C CAPACITOR	22pF 50V J	
				,DV53	C406	NCBA1CK-103W	C CAPACITOR	0.01uF 16V K	
				06U,D	C411	QEKJ1AM-227Z	E CAPACITOR	220uF 10V M	
				V5306	C412	NCBA1AK-473W	C CAPACITOR	0.047uF 10V K	
				UN,D	C413	QCZ0202-155Z	C CAPACITOR	1.5uF 25V Z	
				V5306	C414	QERF0JM-337Z	E CAPACITOR	330uF 6.3V M	
				UT,DV	C701	NCBA1AK-104W	C CAPACITOR	0.1uF 10V K	
				5306A	C702	NCBA1AK-104W	C CAPACITOR	0.1uF 10V K	
				DV53					DV53
				04UI,					04UI,
				DV53					DV53
				05U,D					05U,D
				V5305					V5305
				UN,D					UN,D
				V5305					V5305
				UT,DV					UT,DV
				5305A	C703	NCBA1AK-104W	C CAPACITOR	0.1uF 10V K	5305A
				,DV53					,DV53
				06U,D					06U,D
				V5306					V5306
				UN,D					UN,D
				V5306					V5306
				UT,DV					UT,DV
				5306A					5306A
				DV53					DV53
				04UI,					04UI,
				DV53					DV53
				05U,D					05U,D
				V5305					V5305
				UN,D					UN,D
				V5305					V5305
				UT,DV					UT,DV
				5305A					5305A
				,DV53					,DV53
				06U,D					06U,D
				V5306					V5306
				UN,D					UN,D
				V5306					V5306
				UT,DV					UT,DV
				5306A					5306A
C146	QEKJ1HM-225Z	E CAPACITOR	2.2uF 50V M						
C147	QEKJ1HM-225Z	E CAPACITOR	2.2uF 50V M						
C151	QTE1C57-106Z	E CAPACITOR	10uF 16V						
C152	NCBA1CK-103W	C CAPACITOR	0.01uF 16V K						
C161	QTE1A57-107Z	E CAPACITOR	100uF 10V						
C162	NCBA1CK-103W	C CAPACITOR	0.01uF 16V K						
C164	QTE1C57-106Z	E CAPACITOR	10uF 16V						
C171	QEKJ1HM-225Z	E CAPACITOR	2.2uF 50V M						
C172	QTE1H54-225Z	E CAPACITOR	2.2uF 50V						
C173	QEKJ1HM-225Z	E CAPACITOR	2.2uF 50V M						
C174	QEKJ1CM-226Z	E CAPACITOR	22uF 16V M						
C175	NCBA1EK-472W	C CAPACITOR	4700pF 25V K						
C176	NCBA1AK-104W	C CAPACITOR	0.1uF 10V K						
C177	QEKJ1HM-475Z	E CAPACITOR	4.7uF 50V M						
C178	QEKJ1HM-475Z	E CAPACITOR	4.7uF 50V M						
C179	NDCA1HJ-471W	C CAPACITOR	470pF 50V J						
C180	NCFA1AZ-474W	C CAPACITOR	0.47uF 10V Z						
C181	QEKJ1HM-225Z	E CAPACITOR	2.2uF 50V M						
C182	QTE1H54-225Z	E CAPACITOR	2.2uF 50V						
C183	QEKJ1HM-225Z	E CAPACITOR	2.2uF 50V M						
C184	QEKJ1CM-226Z	E CAPACITOR	22uF 16V M						
C185	NCBA1EK-472W	C CAPACITOR	4700pF 25V K						
C186	NCBA1AK-104W	C CAPACITOR	0.1uF 10V K						
C187	QEKJ1HM-475Z	E CAPACITOR	4.7uF 50V M						
C188	QEKJ1HM-475Z	E CAPACITOR	4.7uF 50V M						
					C705	QEKJ1HM-225Z	E CAPACITOR	2.2uF 50V M	

△ Symbol No.	Part No.	Part Name	Description	Local	△ Symbol No.	Part No.	Part Name	Description	Local	
				DV53 04UI, DV53 05U,D V5305 UN,D V5305 UT,DV 5305A ,DV53 06U,D V5306 UN,D V5306 UT,DV 5306A		R92	NRSA6AJ-512W	MG RESISTOR	5.1kΩ 1/16W J	DV53 04UI, DV53 05U,D V5305 UN,D V5305 UT,DV 5305A ,DV53 06U,D V5306 UN,D V5306 UT,DV 5306A
C706	QEKJ1HM-225Z	E CAPACITOR	2.2uF 50V M		R102	NRSA6AJ-103W	MG RESISTOR	10kΩ 1/16W J		
C731	QEKJ0JM-476Z	E CAPACITOR	47uF 6.3V M							
C732	NCBA1CK-103W	C CAPACITOR	0.01uF 16V K						DV53 04UI, DV53 05U,D V5305 UN,D V5305 UT,DV 5305A ,DV53 06U,D V5306 UN,D V5306 UT,DV 5306A	
C743	NDCA1HJ-270W	C CAPACITOR	27pF 50V J							
C744	NDCA1HJ-220W	C CAPACITOR	22pF 50V J							
C751	NCFA1AZ-474W	C CAPACITOR	0.47uF 10V Z							
C752	NDCA1HJ-471W	C CAPACITOR	470pF 50V J							
C753	QEKJ1AM-227Z	E CAPACITOR	220uF 10V M							
C754	QEKJ1AM-227Z	E CAPACITOR	220uF 10V M							
C755	QEKJ1AM-227Z	E CAPACITOR	220uF 10V M		R103	NRSA6AJ-103W	MG RESISTOR	10kΩ 1/16W J		
C756	NCBA1AK-473W	C CAPACITOR	0.047uF 10V K							
C757	NDCA1HJ-471W	C CAPACITOR	470pF 50V J							
C761	NDCA1HJ-471W	C CAPACITOR	470pF 50V J							
C801	NDCA1HJ-220W	C CAPACITOR	22pF 50V J							
C802	NDCA1HJ-220W	C CAPACITOR	22pF 50V J							
C803	NCBA1AK-473W	C CAPACITOR	0.047uF 10V K							
C804	NDCA1HJ-220W	C CAPACITOR	22pF 50V J							
C805	QEKJ1HM-225Z	E CAPACITOR	2.2uF 50V M							
C806	QEKJ1HM-225Z	E CAPACITOR	2.2uF 50V M							
C821	QEKJ1CM-106Z	E CAPACITOR	10uF 16V M							
C822	QEKJ1CM-106Z	E CAPACITOR	10uF 16V M							
C823	NCBA1CK-103W	C CAPACITOR	0.01uF 16V K							
C851	NCBA1AK-104W	C CAPACITOR	0.1uF 10V K							
C861	QEKJ0JM-476Z	E CAPACITOR	47uF 6.3V M		R104	NRSA6AJ-103W	MG RESISTOR	10kΩ 1/16W J		
C862	QEKJ1CM-107Z	E CAPACITOR	100uF 16V M							
C885	QEKJ1CM-106Z	E CAPACITOR	10uF 16V M							
C901	QEZ0768-278	E CAPACITOR	2700uF							
C902	NCBA1AK-104W	C CAPACITOR	0.1uF 10V K							
C903	QEKJ1HM-225Z	E CAPACITOR	2.2uF 50V M							
C913	QEKJ1CM-106Z	E CAPACITOR	10uF 16V M							
C914	NCBA1AK-104W	C CAPACITOR	0.1uF 10V K							
C915	QEKJ1AM-107Z	E CAPACITOR	100uF 10V M							
C916	NCBA1AK-104W	C CAPACITOR	0.1uF 10V K							
C917	NCBA1CK-103W	C CAPACITOR	0.01uF 16V K							
C919	NCBA1AK-473W	C CAPACITOR	0.047uF 10V K							
C920	QEKJ1CM-226Z	E CAPACITOR	22uF 16V M							
C921	QEKJ1AM-227Z	E CAPACITOR	220uF 10V M							
C922	QEKJ1AM-107Z	E CAPACITOR	100uF 10V M							
C923	QEKJ1AM-227Z	E CAPACITOR	220uF 10V M		R105	NRSA6AJ-103W	MG RESISTOR	10kΩ 1/16W J		
C924	NBZ0009-127X	E. CAPACITOR	120uF							
C925	QEZ0595-477Z	E CAPACITOR	470uF 25V M							
C926	NCBA1AK-104W	C CAPACITOR	0.1uF 10V K							
C961	NCBA1AK-473W	C CAPACITOR	0.047uF 10V K							
C963	NCBA1AK-104W	C CAPACITOR	0.1uF 10V K							
C964	NCBA1AK-104W	C CAPACITOR	0.1uF 10V K							
C971	QEKJ1CM-107Z	E CAPACITOR	100uF 16V M							
C972	NCBA1AK-473W	C CAPACITOR	0.047uF 10V K							
C973	QEKJ1AM-227Z	E CAPACITOR	220uF 10V M							
C974	NDCA1HJ-102W	C CAPACITOR	1000pF 50V J							
C975	QEKJ1AM-227Z	E CAPACITOR	220uF 10V M							
C981	NCBA1AK-104W	C CAPACITOR	0.1uF 10V K							
R1	NRSA6AJ-102W	MG RESISTOR	1kΩ 1/16W J							
R3	NRSA6AJ-473W	MG RESISTOR	47kΩ 1/16W J							
R4	NRSA6AJ-472W	MG RESISTOR	4.7kΩ 1/16W J							
R5	NRSA6AJ-472W	MG RESISTOR	4.7kΩ 1/16W J							
R6	NRSA6AJ-102W	MG RESISTOR	1kΩ 1/16W J							
R7	NRS181J-120X	MG RESISTOR	12Ω 1/8W J							
R8	NRS181J-120X	MG RESISTOR	12Ω 1/8W J							
R9	NRSA6AJ-332W	MG RESISTOR	3.3kΩ 1/16W J							
R11	NRSA6AJ-0R0W	MG RESISTOR	0Ω 1/16W J							
R12	NRSA6AJ-0R0W	MG RESISTOR	0Ω 1/16W J							
R81	NRSA6AJ-123W	MG RESISTOR	12kΩ 1/16W J							
R82	NRSA6AJ-512W	MG RESISTOR	5.1kΩ 1/16W J							
R91	NRSA6AJ-123W	MG RESISTOR	12kΩ 1/16W J		R106	NRSA6AJ-103W	MG RESISTOR	10kΩ 1/16W J		

△ Symbol No.	Part No.	Part Name	Description	Local	△ Symbol No.	Part No.	Part Name	Description	Local
R107	NRSA6AJ-103W	MG RESISTOR	10kΩ 1/16W J	DV53 04UI, DV53 05U,D V5305 UN,D V5305 UT,DV 5305A ,DV53 06U,D V5306 UN,D V5306 UT,DV 5306A DV53 04UI, DV53 05U,D V5305 UN,D V5305 UT,DV 5305A ,DV53 06U,D V5306 UN,D V5306 UT,DV 5306A DV53 04UI, DV53 05U,D V5305 UN,D V5305 UT,DV 5305A ,DV53 06U,D V5306 UN,D V5306 UT,DV 5306A	R115	NRSA6AJ-103W	MG RESISTOR	10kΩ 1/16W J	DV53 04UI, DV53 05U,D V5305 UN,D V5305 UT,DV 5305A ,DV53 06U,D V5306 UN,D V5306 UT,DV 5306A DV53 04UI, DV53 05U,D V5305 UN,D V5305 UT,DV 5305A ,DV53 06U,D V5306 UN,D V5306 UT,DV 5306A
R108	NRSA6AJ-0R0W	MG RESISTOR	0Ω 1/16W J	DV53 04UI, DV53 05U,D V5305 UN,D V5305 UT,DV 5305A ,DV53 06U,D V5306 UN,D V5306 UT,DV 5306A DV53 04UI, DV53 05U,D V5305 UN,D V5305 UT,DV 5305A ,DV53 06U,D V5306 UN,D V5306 UT,DV 5306A	R116	NRSA6AJ-103W	MG RESISTOR	10kΩ 1/16W J	DV53 04UI, DV53 05U,D V5305 UN,D V5305 UT,DV 5305A ,DV53 06U,D V5306 UN,D V5306 UT,DV 5306A DV53 04UI, DV53 05U,D V5305 UN,D V5305 UT,DV 5305A ,DV53 06U,D V5306 UN,D V5306 UT,DV 5306A
R112	NRSA6AJ-103W	MG RESISTOR	10kΩ 1/16W J	DV53 04UI, DV53 05U,D V5305 UN,D V5305 UT,DV 5305A ,DV53 06U,D V5306 UN,D V5306 UT,DV 5306A DV53 04UI, DV53 05U,D V5305 UN,D V5305 UT,DV 5305A ,DV53 06U,D V5306 UN,D V5306 UT,DV 5306A	R117	NRSA6AJ-103W	MG RESISTOR	10kΩ 1/16W J	DV53 04UI, DV53 05U,D V5305 UN,D V5305 UT,DV 5305A ,DV53 06U,D V5306 UN,D V5306 UT,DV 5306A DV53 04UI, DV53 05U,D V5305 UN,D V5305 UT,DV 5305A ,DV53 06U,D V5306 UN,D V5306 UT,DV 5306A
R113	NRSA6AJ-103W	MG RESISTOR	10kΩ 1/16W J	DV53 04UI, DV53 05U,D V5305 UN,D V5305 UT,DV 5305A ,DV53 06U,D V5306 UN,D V5306 UT,DV 5306A DV53 04UI, DV53 05U,D V5305 UN,D V5305 UT,DV 5305A ,DV53 06U,D V5306 UN,D V5306 UT,DV 5306A	R118	NRSA6AJ-0R0W	MG RESISTOR	0Ω 1/16W J	DV53 04UI, DV53 05U,D V5305 UN,D V5305 UT,DV 5305A ,DV53 06U,D V5306 UN,D V5306 UT,DV 5306A DV53 04UI, DV53 05U,D V5305 UN,D V5305 UT,DV 5305A ,DV53 06U,D V5306 UN,D V5306 UT,DV 5306A
R114	NRSA6AJ-103W	MG RESISTOR	10kΩ 1/16W J	DV53 04UI, DV53 05U,D V5305 UN,D V5305 UT,DV 5305A ,DV53 06U,D V5306 UN,D V5306 UT,DV 5306A DV53 04UI, DV53 05U,D V5305 UN,D V5305 UT,DV 5305A ,DV53 06U,D V5306 UN,D V5306 UT,DV 5306A	R121	NRSA6AJ-222W	MG RESISTOR	2.2kΩ 1/16W J	DV53 04UI, DV53 05U,D V5305 UN,D V5305 UT,DV 5305A ,DV53 06U,D V5306 UN,D V5306 UT,DV 5306A DV53 04UI, DV53 05U,D V5305 UN,D V5305 UT,DV 5305A ,DV53 06U,D V5306 UN,D V5306 UT,DV 5306A

△ Symbol No.	Part No.	Part Name	Description	Local	△ Symbol No.	Part No.	Part Name	Description	Local
RA763	NRZ0065-222X	NET RESISTOR	2.2kΩ		D634	SML-310LT/MN/-X	LED		
L1	QQL244J-4R7Z	P COIL	4.7uH J		D635	SML-310LT/MN/-X	LED		
L401	NQR0007-002X	FERRITE BEADS			D636	SML-310LT/MN/-X	LED		
L411	NQL114K-470X	INDUCTOR	47uH K		D637	SML-310LT/MN/-X	LED		
L752	QQL244J-470Z	COIL	47uH J		D638	SML-310LT/MN/-X	LED		
L901	QQR1378-002	COIL			D639	SML-310LT/MN/-X	LED		
L911	NQL56CK-220X	COIL	22uH K		D640	SML-310LT/MN/-X	LED		
L921	NQL56CK-220X	COIL	22uH K		D641	SML-310LT/MN/-X	LED		
L922	NQLB7GM-100X	COIL	10uH M		D642	SML-310LT/MN/-X	LED		
L923	NQL71EM-330X	COIL	33uH M		D643	SML-310LT/MN/-X	LED		
				DV53	D644	SML-310LT/MN/-X	LED		
				04UI,	D645	SML-310LT/MN/-X	LED		
				DV53	D646	SML-310LT/MN/-X	LED		
				05U,D	D647	SML-310LT/MN/-X	LED		
				V5305	D648	SML-310LT/MN/-X	LED		
				UN,D	D649	SML-310LT/MN/-X	LED		
				V5305	D650	NSPW310BS/B2RST	LED		
				UT,DV	D651	NSPW310BS/B2RST	LED		
CN141	QGA2006C1-04	CONNECTOR	W-B (1-4)	5305A	D661	1SS355W-X	DIODE		
				,DV53	D661	or MA111-X	SI DIODE		
				06U,D	D662	UDZW5.1B-X	SB DIODE		
				V5306	D662	or MA8051/M/-X	Z DIODE		
				UN,D					
				V5306					DV53
				UT,DV					04UI,
				5306A					DV53
CN701	QGZ1601J1-15	CONNECTOR	(1-15)						05U,D
CN821	QGA2001C1-02	CONNECTOR	W-B (1-2)						V5305
CN901	QNZ0607-001	CAR CONNECTOR							UN,D
CN961	QGB2044M1-30	CONNECTOR	B-B (1-30)		C620	NCB31HK-473X	C CAPACITOR	0.047uF 50V K	V5305
CN962	QGF0534F3-45X	CONNECTOR	FFC/FPC (1-45)						UT,DV
CN963	QGB2043L1-30X	CONNECTOR	B-B (1-30)						5305A
J1	QNB0190-001	CAR ANT JACK							,DV53
J331	QNN0770-001	3P PIN JACK							06U,D
J801	QNZ0095-001	CONNECTOR							V5306
K401	NQR0007-002X	FERRITE BEADS							UN,D
K402	NQR0007-002X	FERRITE BEADS							V5306
K411	NQR0201-004X	FERRITE BEADS							UT,DV
				DV53	C661	NCB21AK-105X	C CAPACITOR	1uF 10V K	5306A
				04UI,	C662	NCS31HJ-681X	C CAPACITOR	680pF 50V J	
				DV53	C663	NCB31HK-223X	C CAPACITOR	0.022uF 50V K	
				05U,D	C682	NCB31HK-103X	C CAPACITOR	0.01uF 50V K	
				V5305					
				UN,D	R601	NRSA63J-821X	MG RESISTOR	820Ω 1/16W J	
				V5305	R602	NRSA63J-821X	MG RESISTOR	820Ω 1/16W J	
				UT,DV	R603	NRSA63J-122X	MG RESISTOR	1.2kΩ 1/16W J	
PP2	QZW0010-001	STYLE PIN			R604	NRSA63J-182X	MG RESISTOR	1.8kΩ 1/16W J	
					R605	NRSA63J-272X	MG RESISTOR	2.7kΩ 1/16W J	
					R606	NRSA63J-821X	MG RESISTOR	820Ω 1/16W J	
					R607	NRSA63J-821X	MG RESISTOR	820Ω 1/16W J	
					R608	NRSA63J-122X	MG RESISTOR	1.2kΩ 1/16W J	
					R609	NRSA63J-182X	MG RESISTOR	1.8kΩ 1/16W J	
					R610	NRSA63J-272X	MG RESISTOR	2.7kΩ 1/16W J	
					R611	NRSA63J-821X	MG RESISTOR	820Ω 1/16W J	
					R612	NRSA63J-821X	MG RESISTOR	820Ω 1/16W J	
					R613	NRSA63J-122X	MG RESISTOR	1.2kΩ 1/16W J	
					R614	NRSA63J-182X	MG RESISTOR	1.8kΩ 1/16W J	
					R615	NRSA63J-272X	MG RESISTOR	2.7kΩ 1/16W J	
					R616	NRSA63J-392X	MG RESISTOR	3.9kΩ 1/16W J	
					R617	NRSA63J-103X	MG RESISTOR	10kΩ 1/16W J	

**Switch board
(DV5304,DV5305,DV5306,DV4304,DV4305,DV4306)**

Block No. [0][6]

△ Symbol No.	Part No.	Part Name	Description	Local
IC661	PT6523LQ-L	LCD DRIVER		
IC681	RPM7338-V4	RM.RECEIVER		
D630	SML-310LT/MN/-X	LED		
D631	SML-310LT/MN/-X	LED		
D632	SML-310LT/MN/-X	LED		
D633	SML-310LT/MN/-X	LED		

△ Symbol No.	Part No.	Part Name	Description	Local	△ Symbol No.	Part No.	Part Name	Description	Local	
				DV53 04UI, DV53 05U,D V5305 UN,D V5305 UT,DV 5305A ,DV53 06U,D V5306 UN,D V5306 UT,DV 5306A DV53 04UI, DV53 05U,D V5305 UN,D V5305 UT,DV 5305A ,DV53 06U,D V5306 UN,D V5306 UT,DV 5306A DV53 04UI, DV53 05U,D V5305 UN,D V5305 UT,DV 5305A ,DV53 06U,D V5306 UN,D V5306 UT,DV 5306A		R667	NRSA63J-103X	MG RESISTOR	10kΩ 1/16W J	
					R668	NRSA63J-103X	MG RESISTOR	10kΩ 1/16W J		
					R681	NRSA63J-471X	MG RESISTOR	470Ω 1/16W J		
					R682	NRSA63J-103X	MG RESISTOR	10kΩ 1/16W J		
R621	NRSA63J-0R0X	MG RESISTOR	0Ω 1/16W J		CJ601	QGZ1601K1-15S	CONNECTOR	(1-15)	DV53 04UI, DV53 05U,D V5305 UN,D V5305 UT,DV 5305A ,DV53 06U,D V5306 UN,D V5306 UT,DV 5306A DV53 04UI, DV53 05U,D V5305 UN,D V5305 UT,DV 5305A ,DV53 06U,D V5306 UN,D V5306 UT,DV 5306A	
R622	NRSA63J-473X	MG RESISTOR	47kΩ 1/16W J		J601	QNS0215-001	3.5 JACK			
R623	NRSA63J-473X	MG RESISTOR	47kΩ 1/16W J		JS686	QSW1219-001	ROTARY ENCODER			
					S601	NSW0124-001X	TACT SW			
					S602	NSW0124-001X	TACT SW			
					S603	NSW0124-001X	TACT SW			
					S604	NSW0124-001X	TACT SW			
					S605	NSW0124-001X	TACT SW			
					S606	NSW0124-001X	TACT SW			
					S607	NSW0124-001X	TACT SW			
					S608	NSW0124-001X	TACT SW			
					S609	NSW0124-001X	TACT SW			
					S610	NSW0124-001X	TACT SW			
					S611	NSW0124-001X	TACT SW			
					S612	NSW0124-001X	TACT SW			
					S613	NSW0124-001X	TACT SW			
					S614	NSW0124-001X	TACT SW			
					S615	NSW0124-001X	TACT SW			
					S616	NSW0124-001X	TACT SW			
					S617	NSW0124-001X	TACT SW			
					S618	NSW0124-001X	TACT SW			
R624	NRSA63J-471X	MG RESISTOR	470Ω 1/16W J							
R630	NRSA02J-621X	MG RESISTOR	620Ω 1/10W J							
R632	NRSA02J-621X	MG RESISTOR	620Ω 1/10W J							
R634	NRSA02J-621X	MG RESISTOR	620Ω 1/10W J							
R636	NRSA63J-561X	MG RESISTOR	560Ω 1/16W J							
R638	NRSA63J-561X	MG RESISTOR	560Ω 1/16W J							
R640	NRSA02J-621X	MG RESISTOR	620Ω 1/10W J							
R642	NRSA63J-561X	MG RESISTOR	560Ω 1/16W J							
R644	NRSA63J-561X	MG RESISTOR	560Ω 1/16W J							
R646	NRSA63J-561X	MG RESISTOR	560Ω 1/16W J							
R648	NRSA63J-561X	MG RESISTOR	560Ω 1/16W J							
R650	NRSA63J-561X	MG RESISTOR	560Ω 1/16W J							
R652	NRSA02J-621X	MG RESISTOR	620Ω 1/10W J							
R654	NRSA02J-271X	MG RESISTOR	270Ω 1/10W J							
R657	NRSA02J-181X	MG RESISTOR	180Ω 1/10W J							
R660	NRSA63J-0R0X	MG RESISTOR	0Ω 1/16W J							
R661	NRSA63J-222X	MG RESISTOR	2.2kΩ 1/16W J							
R662	NRSA63J-222X	MG RESISTOR	2.2kΩ 1/16W J							
R663	NRSA63J-225X	MG RESISTOR	2.2MΩ 1/16W J							
R664	NRSA63J-103X	MG RESISTOR	10kΩ 1/16W J							
R665	NRSA63J-513X	MG RESISTOR	51kΩ 1/16W J							
R666	NRSA63J-103X	MG RESISTOR	10kΩ 1/16W J							

Main board(DV5388,DV4388)

Block No. [0][7]

△ Symbol No.	Part No.	Part Name	Description	Local
	IC101	HA17558AF-X	IC	DV53 88UF
	IC111	TC4053BFT-X	IC	DV53 88UF
	IC151	TC4066BFT-X	IC	DV53 88UF
	IC161	NJW1192V-X	IC	
△	IC301	TB2904HQ	IC	
	IC401	TC7SET08F-X	IC	
	IC402	TOTX177L	OPTICAL JACK	
	IC411	MM1510XN-X	IC	
△	IC721	UPD78F1166GC1C	IC(PROGRAMD)	
	IC731	IC-PST3433U-X	IC	
	IC731	or S-80833CNNB-G-W	IC	
	IC801	HD74HC126FP-X	IC	
△	IC911	R2S25400DS-E	IC	
	IC921	BA33BC0FP-X	IC	
	IC922	LA5777MP-X	IC	
	IC961	TC74LCX32FT-F-X	IC	
	IC962	TC74VHCT32AFT-X	IC	
	Q1	RT1N141C-X	DIGI TRANSISTOR	
	Q1	or UN2211-X	TRANSISTOR	
	Q121	RT1N141C-X	DIGI TRANSISTOR	DV53 88UF
	Q121	or UN2211-X	TRANSISTOR	DV53 88UF
	Q151	RT1N141C-X	DIGI TRANSISTOR	DV53 88UF

△ Symbol No.	Part No.	Part Name	Description	Local	△ Symbol No.	Part No.	Part Name	Description	Local
Q151	or UN2211-X	TRANSISTOR		DV53 88UF	D801	or RB160M-30-X	SB DIODE		
Q152	RT1N141C-X	DIGI TRANSISTOR		DV53 88UF	D801	or CRS03-W	SB DIODE		
Q152	or UN2211-X	TRANSISTOR		DV53 88UF	D821	UDZW12B-X	Z DIODE		
Q301	RT1N441C-X	TRANSISTOR			D821	or MA8120/M/-X	Z DIODE		
Q301	or UN2213-X	DIGI TRANSISTOR			D851	MA22D23-X	SB DIODE		
Q302	RT1P441C-X	DIGI TRANSISTOR			D851	or RB160M-30-X	SB DIODE		
Q302	or UN2113-X	TRANSISTOR			D851	or CRS03-W	SB DIODE		
Q303	RT6N430C-X	TRANSISTOR			D852	MA22D23-X	SB DIODE		
Q344	RT6N430C-X	TRANSISTOR			D852	or RB160M-30-X	SB DIODE		
Q354	RT6N430C-X	TRANSISTOR			D852	or CRS03-W	SB DIODE		
Q821	UN2211-X	TRANSISTOR			D861	MA111-X	SI DIODE		
Q821	or RT1N141C-X	DIGI TRANSISTOR			D861	or 1SS355W-X	DIODE		
Q822	UN2111-X	TRANSISTOR			D862	MA111-X	SI DIODE		
Q822	or RT1P141C-X	DIGI TRANSISTOR			D862	or 1SS355W-X	DIODE		
Q823	2SC4485/ST/-T	TRANSISTOR			D863	MA8110/M/-X	Z DIODE		
Q861	UN2111-X	TRANSISTOR			D863	or UDZW11B-X	Z DIODE		
Q861	or RT1P141C-X	DIGI TRANSISTOR			D885	1SS355W-X	DIODE		
Q862	UN2111-X	TRANSISTOR			D885	or MA111-X	SI DIODE		
Q862	or RT1P141C-X	DIGI TRANSISTOR			△ D901	1N5401-TU-15	SI DIODE		
Q885	RT1N141C-X	DIGI TRANSISTOR			△ D901	or 1N5401-F64	SI DIODE		
Q885	or UN2211-X	TRANSISTOR			D902	GS1J-X	DIODE		
Q911	RT1P141C-X	DIGI TRANSISTOR			D911	1SS355W-X	DIODE		
Q911	or UN2111-X	TRANSISTOR			D911	or MA111-X	SI DIODE		
Q912	RT1N141C-X	DIGI TRANSISTOR			D921	1A3G-T1	SI DIODE		
Q912	or UN2211-X	TRANSISTOR			D922	RB051L-40-X	SB DIODE		
Q921	RT1N141C-X	DIGI TRANSISTOR			D971	MA22D23-X	SB DIODE		
Q921	or UN2211-X	TRANSISTOR			D971	or CRS03-W	SB DIODE		
Q971	2SA1530A/R/-X	TRANSISTOR			D971	or RB160M-30-X	SB DIODE		
Q971	or 2SB709A/R/-X	TRANSISTOR			D972	MA22D23-X	SB DIODE		
Q972	RT1N141C-X	DIGI TRANSISTOR			D972	or CRS03-W	SB DIODE		
Q972	or UN2211-X	TRANSISTOR			D972	or RB160M-30-X	SB DIODE		
Q976	RT1N441C-X	TRANSISTOR			D973	MA22D23-X	SB DIODE		
Q976	or UN2213-X	DIGI TRANSISTOR			D973	or CRS03-W	SB DIODE		
Q977	2SA1530A/R/-X	TRANSISTOR			D973	or RB160M-30-X	SB DIODE		
Q977	or 2SB709A/R/-X	TRANSISTOR			D974	UDZW5.1B-X	SB DIODE		
D1	1SS355W-X	DIODE			D974	or MA8051M/-X	Z DIODE		
D1	or MA111-X	SI DIODE			D981	MA22D23-X	SB DIODE		
D2	1SS355W-X	DIODE			D981	or RB160M-30-X	SB DIODE		
D2	or MA111-X	SI DIODE			D981	or CRS03-W	SB DIODE		
D301	UDZW11B-X	Z DIODE			D982	MA22D23-X	SB DIODE		
D301	or MA8110/M/-X	Z DIODE			D982	or RB160M-30-X	SB DIODE		
D302	1SS355W-X	DIODE			D982	or CRS03-W	SB DIODE		
D302	or MA111-X	SI DIODE			C1	NCBA1AK-104W	C CAPACITOR	0.1uF 10V K	
D303	MA22D23-X	SB DIODE			C2	QEKJ1AM-107Z	E CAPACITOR	100uF 10V M	
D303	or CRS03-W	SB DIODE			C4	NCBA1AK-104W	C CAPACITOR	0.1uF 10V K	
D303	or RB160M-30-X	SB DIODE			C5	NCBA1AK-104W	C CAPACITOR	0.1uF 10V K	
D304	MA22D23-X	SB DIODE			C6	QEKJ1AM-107Z	E CAPACITOR	100uF 10V M	
D304	or CRS03-W	SB DIODE			C7	NCBA1AK-104W	C CAPACITOR	0.1uF 10V K	
D304	or RB160M-30-X	SB DIODE			C81	QEKJ1HM-475Z	E CAPACITOR	4.7uF 50V M	
D344	1SS355W-X	DIODE			C91	QEKJ1HM-475Z	E CAPACITOR	4.7uF 50V M	
D344	or MA111-X	SI DIODE			C103	QEKJ0JM-476Z	E CAPACITOR	47uF 6.3V M	DV53 88UF
D354	1SS355W-X	DIODE			C109	NCBA1AK-104W	C CAPACITOR	0.1uF 10V K	DV53 88UF
D354	or MA111-X	SI DIODE			C113	QEKJ0JM-476Z	E CAPACITOR	47uF 6.3V M	DV53 88UF
D401	MA22D23-X	SB DIODE			C121	NCBA1AK-104W	C CAPACITOR	0.1uF 10V K	DV53 88UF
D401	or RB160M-30-X	SB DIODE			C141	NCBA1EK-472W	C CAPACITOR	4700pF 25V K	DV53 88UF
D401	or CRS03-W	SB DIODE			C142	NCBA1EK-472W	C CAPACITOR	4700pF 25V K	DV53 88UF
D710	UDZW6.2B-X	Z DIODE		DV53 88UF	C143	NCFA1AZ-474W	C CAPACITOR	0.47uF 10V Z	DV53 88UF
D710	or MA8062/M/-X	Z DIODE		DV53 88UF	C145	QEKJ1HM-225Z	E CAPACITOR	2.2uF 50V M	DV53 88UF
D711	UDZW6.2B-X	Z DIODE		DV53 88UF	C146	QEKJ1HM-225Z	E CAPACITOR	2.2uF 50V M	DV53 88UF
D711	or MA8062/M/-X	Z DIODE		DV53 88UF	C147	QEKJ1HM-225Z	E CAPACITOR	2.2uF 50V M	DV53 88UF
D712	UDZW6.2B-X	Z DIODE		DV53 88UF	C151	QTE1C57-106Z	E CAPACITOR	10uF 16V	DV53 88UF
D712	or MA8062/M/-X	Z DIODE		DV53 88UF	C152	NCBA1CK-103W	C CAPACITOR	0.01uF 16V K	DV53 88UF
D713	UDZW6.2B-X	Z DIODE		DV53 88UF	C161	QTE1A57-107Z	E CAPACITOR	100uF 10V	
D713	or MA8062/M/-X	Z DIODE		DV53 88UF	C162	NCBA1CK-103W	C CAPACITOR	0.01uF 16V K	
D731	1SS355W-X	DIODE			C164	QTE1C57-106Z	E CAPACITOR	10uF 16V	
D731	or MA111-X	SI DIODE			C171	QEKJ1HM-225Z	E CAPACITOR	2.2uF 50V M	
D801	MA22D23-X	SB DIODE			C172	QTE1H54-225Z	E CAPACITOR	2.2uF 50V	

△ Symbol No.	Part No.	Part Name	Description	Local	△ Symbol No.	Part No.	Part Name	Description	Local
C173	QEKJ1HM-225Z	E CAPACITOR	2.2uF 50V M		C862	QEKJ1CM-107Z	E CAPACITOR	100uF 16V M	
C174	QEKJ1CM-226Z	E CAPACITOR	22uF 16V M		C885	QEKJ1CM-106Z	E CAPACITOR	10uF 16V M	
C175	NCBA1EK-472W	C CAPACITOR	4700pF 25V K		C901	QEZ0768-278	E CAPACITOR	2700uF	
C176	NCBA1AK-104W	C CAPACITOR	0.1uF 10V K		C902	NCBA1AK-104W	C CAPACITOR	0.1uF 10V K	
C177	QEKJ1HM-475Z	E CAPACITOR	4.7uF 50V M		C903	QEKJ1HM-225Z	E CAPACITOR	2.2uF 50V M	
C178	QEKJ1HM-475Z	E CAPACITOR	4.7uF 50V M		C913	QEKJ1CM-106Z	E CAPACITOR	10uF 16V M	
C179	NDCA1HJ-471W	C CAPACITOR	470pF 50V J		C914	NCBA1AK-104W	C CAPACITOR	0.1uF 10V K	
C180	NCFA1AZ-474W	C CAPACITOR	0.47uF 10V Z		C915	QEKJ1AM-107Z	E CAPACITOR	100uF 10V M	
C181	QEKJ1HM-225Z	E CAPACITOR	2.2uF 50V M		C916	NCBA1AK-104W	C CAPACITOR	0.1uF 10V K	
C182	QTE1H54-225Z	E CAPACITOR	2.2uF 50V		C917	NCBA1CK-103W	C CAPACITOR	0.01uF 16V K	
C183	QEKJ1HM-225Z	E CAPACITOR	2.2uF 50V M		C919	NCBA1AK-473W	C CAPACITOR	0.047uF 10V K	
C184	QEKJ1CM-226Z	E CAPACITOR	22uF 16V M		C920	QEKJ1CM-226Z	E CAPACITOR	22uF 16V M	
C185	NCBA1EK-472W	C CAPACITOR	4700pF 25V K		C921	QEKJ1AM-227Z	E CAPACITOR	220uF 10V M	
C186	NCBA1AK-104W	C CAPACITOR	0.1uF 10V K		C922	QEKJ1AM-107Z	E CAPACITOR	100uF 10V M	
C187	QEKJ1HM-475Z	E CAPACITOR	4.7uF 50V M		C923	QEKJ1AM-227Z	E CAPACITOR	220uF 10V M	
C188	QEKJ1HM-475Z	E CAPACITOR	4.7uF 50V M		C924	NBZ0009-127X	E CAPACITOR	120uF	
C189	NDCA1HJ-471W	C CAPACITOR	470pF 50V J		C925	QEZ0595-477Z	E CAPACITOR	470uF 25V M	
C190	NCFA1AZ-474W	C CAPACITOR	0.47uF 10V Z		C926	NCBA1AK-104W	C CAPACITOR	0.1uF 10V K	
C301	QEKJ1CM-476Z	E CAPACITOR	47uF 16V M		C961	NCBA1AK-473W	C CAPACITOR	0.047uF 10V K	
C302	NCBA1CK-103W	C CAPACITOR	0.01uF 16V K		C963	NCBA1AK-104W	C CAPACITOR	0.1uF 10V K	
C304	QERF1HM-475Z	E CAPACITOR	4.7uF 50V M		C964	NCBA1AK-104W	C CAPACITOR	0.1uF 10V K	
C305	QTE1C57-476Z	E CAPACITOR	47uF 16V		C971	QEKJ1CM-107Z	E CAPACITOR	100uF 16V M	
C306	NCBA1CK-103W	C CAPACITOR	0.01uF 16V K		C972	NCBA1AK-473W	C CAPACITOR	0.047uF 10V K	
C307	NCBA1CK-103W	C CAPACITOR	0.01uF 16V K		C973	QEKJ1AM-227Z	E CAPACITOR	220uF 10V M	
C309	QEKJ1HM-225Z	E CAPACITOR	2.2uF 50V M		C974	NDCA1HJ-102W	C CAPACITOR	1000pF 50V J	
C328	QFV91HJ-474Z	MF CAPACITOR	0.47uF 50V J		C975	QEKJ1AM-227Z	E CAPACITOR	220uF 10V M	
C329	NDCA1HJ-101W	C CAPACITOR	100pF 50V J		C981	NCBA1AK-104W	C CAPACITOR	0.1uF 10V K	
C331	NCBA1CK-223W	C CAPACITOR	0.022uF 16V K		R1	NRSA6AJ-102W	MG RESISTOR	1kΩ 1/16W J	
C338	QFV91HJ-474Z	MF CAPACITOR	0.47uF 50V J		R3	NRSA6AJ-473W	MG RESISTOR	47kΩ 1/16W J	
C339	NDCA1HJ-101W	C CAPACITOR	100pF 50V J		R4	NRSA6AJ-472W	MG RESISTOR	4.7kΩ 1/16W J	
C346	QEKJ1EM-475Z	E CAPACITOR	4.7uF 25V M		R5	NRSA6AJ-472W	MG RESISTOR	4.7kΩ 1/16W J	
C348	QFV91HJ-474Z	MF CAPACITOR	0.47uF 50V J		R6	NRSA6AJ-102W	MG RESISTOR	1kΩ 1/16W J	
C349	NDCA1HJ-101W	C CAPACITOR	100pF 50V J		R7	NRS181J-120X	MG RESISTOR	12Ω 1/8W J	
C356	QEKJ1EM-475Z	E CAPACITOR	4.7uF 25V M		R8	NRS181J-120X	MG RESISTOR	12Ω 1/8W J	
C358	QFV91HJ-474Z	MF CAPACITOR	0.47uF 50V J		R9	NRSA6AJ-332W	MG RESISTOR	3.3kΩ 1/16W J	
C359	NDCA1HJ-101W	C CAPACITOR	100pF 50V J		R11	NRSA6AJ-0R0W	MG RESISTOR	0Ω 1/16W J	
C401	NDCA1HJ-220W	C CAPACITOR	22pF 50V J		R12	NRSA6AJ-0R0W	MG RESISTOR	0Ω 1/16W J	
C402	NCBA1CK-103W	C CAPACITOR	0.01uF 16V K		R81	NRSA6AJ-123W	MG RESISTOR	12kΩ 1/16W J	
C403	NCBA1CK-103W	C CAPACITOR	0.01uF 16V K		R82	NRSA6AJ-512W	MG RESISTOR	5.1kΩ 1/16W J	
C404	QEKJ0JM-107Z	E CAPACITOR	100uF 6.3V M		R91	NRSA6AJ-123W	MG RESISTOR	12kΩ 1/16W J	
C405	NDCA1HJ-220W	C CAPACITOR	22pF 50V J		R92	NRSA6AJ-512W	MG RESISTOR	5.1kΩ 1/16W J	
C406	NCBA1CK-103W	C CAPACITOR	0.01uF 16V K		R102	NRSA6AJ-103W	MG RESISTOR	10kΩ 1/16W J	DV53 88UF
C411	QEKJ1AM-227Z	E CAPACITOR	220uF 10V M		R103	NRSA6AJ-103W	MG RESISTOR	10kΩ 1/16W J	DV53 88UF
C412	NCBA1AK-473W	C CAPACITOR	0.047uF 10V K		R104	NRSA6AJ-103W	MG RESISTOR	10kΩ 1/16W J	DV53 88UF
C413	QCZ0202-155Z	C CAPACITOR	1.5uF 25V Z		R105	NRSA6AJ-103W	MG RESISTOR	10kΩ 1/16W J	DV53 88UF
C414	QERF0JM-337Z	E CAPACITOR	330uF 6.3V M		R106	NRSA6AJ-103W	MG RESISTOR	10kΩ 1/16W J	DV53 88UF
C701	NCBA1AK-104W	C CAPACITOR	0.1uF 10V K		R107	NRSA6AJ-103W	MG RESISTOR	10kΩ 1/16W J	DV53 88UF
C702	NCBA1AK-104W	C CAPACITOR	0.1uF 10V K		R108	NRSA6AJ-0R0W	MG RESISTOR	0Ω 1/16W J	DV53 88UF
C703	NCBA1AK-104W	C CAPACITOR	0.1uF 10V K	DV53 88UF	R112	NRSA6AJ-103W	MG RESISTOR	10kΩ 1/16W J	DV53 88UF
C704	QEKJ1HM-225Z	E CAPACITOR	2.2uF 50V M	DV53 88UF	R113	NRSA6AJ-103W	MG RESISTOR	10kΩ 1/16W J	DV53 88UF
C705	QEKJ1HM-225Z	E CAPACITOR	2.2uF 50V M	DV53 88UF	R114	NRSA6AJ-103W	MG RESISTOR	10kΩ 1/16W J	DV53 88UF
C706	QEKJ1HM-225Z	E CAPACITOR	2.2uF 50V M	DV53 88UF	R115	NRSA6AJ-103W	MG RESISTOR	10kΩ 1/16W J	DV53 88UF
C731	QEKJ0JM-476Z	E CAPACITOR	47uF 6.3V M		R116	NRSA6AJ-103W	MG RESISTOR	10kΩ 1/16W J	DV53 88UF
C732	NCBA1CK-103W	C CAPACITOR	0.01uF 16V K		R117	NRSA6AJ-103W	MG RESISTOR	10kΩ 1/16W J	DV53 88UF
C743	NDCA1HJ-270W	C CAPACITOR	27pF 50V J		R118	NRSA6AJ-0R0W	MG RESISTOR	0Ω 1/16W J	DV53 88UF
C744	NDCA1HJ-220W	C CAPACITOR	22pF 50V J		R121	NRSA6AJ-222W	MG RESISTOR	2.2kΩ 1/16W J	DV53 88UF
C751	NCFA1AZ-474W	C CAPACITOR	0.47uF 10V Z		R143	NRSA6AJ-471W	MG RESISTOR	470Ω 1/16W J	DV53 88UF
C752	NDCA1HJ-471W	C CAPACITOR	470pF 50V J		R144	NRSA6AJ-473W	MG RESISTOR	47kΩ 1/16W J	DV53 88UF
C753	QEKJ1AM-227Z	E CAPACITOR	220uF 10V M		R145	NRSA6AJ-473W	MG RESISTOR	47kΩ 1/16W J	DV53 88UF
C754	QEKJ1AM-227Z	E CAPACITOR	220uF 10V M		R146	NRSA6AJ-473W	MG RESISTOR	47kΩ 1/16W J	DV53 88UF
C755	QEKJ1AM-227Z	E CAPACITOR	220uF 10V M						
C756	NCBA1AK-473W	C CAPACITOR	0.047uF 10V K						
C757	NDCA1HJ-471W	C CAPACITOR	470pF 50V J						
C761	NDCA1HJ-471W	C CAPACITOR	470pF 50V J						
C801	NDCA1HJ-220W	C CAPACITOR	22pF 50V J						
C802	NDCA1HJ-220W	C CAPACITOR	22pF 50V J						
C803	NCBA1AK-473W	C CAPACITOR	0.047uF 10V K						
C804	NDCA1HJ-220W	C CAPACITOR	22pF 50V J						
C805	QEKJ1HM-225Z	E CAPACITOR	2.2uF 50V M						
C806	QEKJ1HM-225Z	E CAPACITOR	2.2uF 50V M						
C821	QEKJ1CM-106Z	E CAPACITOR	10uF 16V M						
C822	QEKJ1CM-106Z	E CAPACITOR	10uF 16V M						
C823	NCBA1CK-103W	C CAPACITOR	0.01uF 16V K						
C851	NCBA1AK-104W	C CAPACITOR	0.1uF 10V K						
C861	QEKJ0JM-476Z	E CAPACITOR	47uF 6.3V M						

△ Symbol No.	Part No.	Part Name	Description	Local	△ Symbol No.	Part No.	Part Name	Description	Local
R147	NRSA6AJ-473W	MG RESISTOR	47kΩ 1/16W J	DV53 88UF	R766	NRSA6AJ-331W	MG RESISTOR	330Ω 1/16W J	
R151	NRSA6AJ-222W	MG RESISTOR	2.2kΩ 1/16W J	DV53 88UF	R767	NRSA6AJ-331W	MG RESISTOR	330Ω 1/16W J	
R152	NRSA6AJ-222W	MG RESISTOR	2.2kΩ 1/16W J	DV53 88UF	R771	NRSA6AJ-333W	MG RESISTOR	33kΩ 1/16W J	
R171	NRSA6AJ-222W	MG RESISTOR	2.2kΩ 1/16W J		R772	NRSA6AJ-103W	MG RESISTOR	10kΩ 1/16W J	
R174	NRSA6AJ-393W	MG RESISTOR	39kΩ 1/16W J		R773	NRSA6AJ-473W	MG RESISTOR	47kΩ 1/16W J	
R175	NRSA6AJ-472W	MG RESISTOR	4.7kΩ 1/16W J		R774	NRSA6AJ-562W	MG RESISTOR	5.6kΩ 1/16W J	
R181	NRSA6AJ-222W	MG RESISTOR	2.2kΩ 1/16W J		R775	NRSA6AJ-472W	MG RESISTOR	4.7kΩ 1/16W J	
R184	NRSA6AJ-393W	MG RESISTOR	39kΩ 1/16W J		R778	NRSA6AJ-0R0W	MG RESISTOR	0Ω 1/16W J	
R185	NRSA6AJ-472W	MG RESISTOR	4.7kΩ 1/16W J		R779	NRSA6AJ-0R0W	MG RESISTOR	0Ω 1/16W J	
R302	NRSA6AJ-0R0W	MG RESISTOR	0Ω 1/16W J		R780	NRSA6AJ-472W	MG RESISTOR	4.7kΩ 1/16W J	
R303	NRSA6AJ-103W	MG RESISTOR	10kΩ 1/16W J		R781	NRSA6AJ-472W	MG RESISTOR	4.7kΩ 1/16W J	
R304	NRSA6AJ-473W	MG RESISTOR	47kΩ 1/16W J		R782	NRSA6AJ-0R0W	MG RESISTOR	0Ω 1/16W J	
R305	NRSA6AJ-472W	MG RESISTOR	4.7kΩ 1/16W J		R783	NRSA6AJ-392W	MG RESISTOR	3.9kΩ 1/16W J	
R327	NRSA6AJ-0R0W	MG RESISTOR	0Ω 1/16W J		R784	NRSA6AJ-392W	MG RESISTOR	3.9kΩ 1/16W J	
R329	NRSA6AJ-102W	MG RESISTOR	1kΩ 1/16W J		R785	NRSA6AJ-472W	MG RESISTOR	4.7kΩ 1/16W J	
R330	NRSA6AJ-102W	MG RESISTOR	1kΩ 1/16W J		R786	NRSA6AJ-472W	MG RESISTOR	4.7kΩ 1/16W J	
R337	NRSA6AJ-0R0W	MG RESISTOR	0Ω 1/16W J		R787	NRSA6AJ-472W	MG RESISTOR	4.7kΩ 1/16W J	
R339	NRSA6AJ-102W	MG RESISTOR	1kΩ 1/16W J		R788	NRSA6AJ-472W	MG RESISTOR	4.7kΩ 1/16W J	
R340	NRSA6AJ-102W	MG RESISTOR	1kΩ 1/16W J		R789	NRSA6AJ-472W	MG RESISTOR	4.7kΩ 1/16W J	
R343	NRSA6AJ-473W	MG RESISTOR	47kΩ 1/16W J		R791	NRSA6AJ-103W	MG RESISTOR	10kΩ 1/16W J	
R345	NRSA6AJ-102W	MG RESISTOR	1kΩ 1/16W J		R793	NRSA6AJ-0R0W	MG RESISTOR	0Ω 1/16W J	
R346	NRSA6AJ-101W	MG RESISTOR	100Ω 1/16W J		R794	NRSA6AJ-0R0W	MG RESISTOR	0Ω 1/16W J	
R347	NRSA6AJ-0R0W	MG RESISTOR	0Ω 1/16W J		R795	NRSA6AJ-103W	MG RESISTOR	10kΩ 1/16W J	
R349	NRSA6AJ-102W	MG RESISTOR	1kΩ 1/16W J		R796	NRSA6AJ-0R0W	MG RESISTOR	0Ω 1/16W J	
R350	NRSA6AJ-102W	MG RESISTOR	1kΩ 1/16W J		R797	NRSA6AJ-392W	MG RESISTOR	3.9kΩ 1/16W J	
R353	NRSA6AJ-473W	MG RESISTOR	47kΩ 1/16W J		R798	NRSA6AJ-103W	MG RESISTOR	10kΩ 1/16W J	DV53 88UF
R355	NRSA6AJ-102W	MG RESISTOR	1kΩ 1/16W J		R801	NRSA6AJ-101W	MG RESISTOR	100Ω 1/16W J	
R356	NRSA6AJ-101W	MG RESISTOR	100Ω 1/16W J		R802	NRSA6AJ-473W	MG RESISTOR	47kΩ 1/16W J	
R357	NRSA6AJ-0R0W	MG RESISTOR	0Ω 1/16W J		R803	NRSA6AJ-223W	MG RESISTOR	22kΩ 1/16W J	
R359	NRSA6AJ-102W	MG RESISTOR	1kΩ 1/16W J		R804	NRSA6AJ-104W	MG RESISTOR	100kΩ 1/16W J	
R360	NRSA6AJ-102W	MG RESISTOR	1kΩ 1/16W J		R805	NRSA6AJ-103W	MG RESISTOR	10kΩ 1/16W J	
R401	NRSA6AJ-471W	MG RESISTOR	470Ω 1/16W J		R806	NRSA6AJ-104W	MG RESISTOR	100kΩ 1/16W J	
R402	NRSA6AJ-100W	MG RESISTOR	10Ω 1/16W J		R807	NRSA6AJ-331W	MG RESISTOR	330Ω 1/16W J	
R403	NRSA6AJ-471W	MG RESISTOR	470Ω 1/16W J		R808	NRSA6AJ-223W	MG RESISTOR	22kΩ 1/16W J	
R404	NRSA6AJ-1R0W	MG RESISTOR	1Ω 1/16W J		R809	NRSA6AJ-101W	MG RESISTOR	100Ω 1/16W J	
R412	NRSA6AD-682W	MG RESISTOR	6.8kΩ 1/16W D		R810	NRSA6AJ-473W	MG RESISTOR	47kΩ 1/16W J	
R413	NRSA6AD-181W	MG RESISTOR	180Ω 1/16W D		R821	NRSA6AJ-100W	MG RESISTOR	10Ω 1/16W J	
R414	NRSA6AJ-102W	MG RESISTOR	1kΩ 1/16W J		R822	NRSA6AJ-471W	MG RESISTOR	470Ω 1/16W J	
R415	NRSA6AJ-750W	MG RESISTOR	75Ω 1/16W J		R823	NRSA6AJ-223W	MG RESISTOR	22kΩ 1/16W J	
R416	NRSA6AJ-0R0W	MG RESISTOR	0Ω 1/16W J		R851	NRSA6AJ-472W	MG RESISTOR	4.7kΩ 1/16W J	
R417	NRSA6AJ-100W	MG RESISTOR	10Ω 1/16W J		R861	NRSA6AJ-471W	MG RESISTOR	470Ω 1/16W J	
R701	NRSA6AJ-271W	MG RESISTOR	270Ω 1/16W J		R885	NRSA6AJ-473W	MG RESISTOR	47kΩ 1/16W J	
R702	NRSA6AJ-271W	MG RESISTOR	270Ω 1/16W J		R886	NRSA6AJ-472W	MG RESISTOR	4.7kΩ 1/16W J	
R703	NRSA6AJ-103W	MG RESISTOR	10kΩ 1/16W J		R887	NRSA6AJ-103W	MG RESISTOR	10kΩ 1/16W J	
R704	NRSA6AJ-473W	MG RESISTOR	47kΩ 1/16W J	DV53 88UF	R901	QRE142J-102X	C RESISTOR	1kΩ 1/4W J	
R705	NRSA6AJ-473W	MG RESISTOR	47kΩ 1/16W J	DV53 88UF	R902	NRSA6AJ-912W	MG RESISTOR	9.1kΩ 1/16W J	
R706	NRSA6AJ-473W	MG RESISTOR	47kΩ 1/16W J	DV53 88UF	R911	NRSA6AJ-682W	MG RESISTOR	6.8kΩ 1/16W J	
R707	NRSA6AJ-473W	MG RESISTOR	47kΩ 1/16W J	DV53 88UF	R912	NRSA6AJ-102W	MG RESISTOR	1kΩ 1/16W J	
R725	NRSA6AJ-224W	MG RESISTOR	220kΩ 1/16W J		R913	NRSA6AJ-123W	MG RESISTOR	12kΩ 1/16W J	
R726	NRSA6AJ-224W	MG RESISTOR	220kΩ 1/16W J		R914	NRSA6AJ-472W	MG RESISTOR	4.7kΩ 1/16W J	
R728	NRSA6AJ-222W	MG RESISTOR	2.2kΩ 1/16W J		R922	NRSA6AJ-473W	MG RESISTOR	47kΩ 1/16W J	
R729	NRSA6AJ-222W	MG RESISTOR	2.2kΩ 1/16W J		R961	NRSA6AJ-103W	MG RESISTOR	10kΩ 1/16W J	
R731	NRSA6AJ-103W	MG RESISTOR	10kΩ 1/16W J		R962	NRSA6AJ-103W	MG RESISTOR	10kΩ 1/16W J	
R732	NRSA6AJ-222W	MG RESISTOR	2.2kΩ 1/16W J		R963	NRSA6AJ-103W	MG RESISTOR	10kΩ 1/16W J	
R733	NRSA6AJ-473W	MG RESISTOR	47kΩ 1/16W J		R971	NRSA6AJ-101W	MG RESISTOR	100Ω 1/16W J	
R735	NRSA6AJ-472W	MG RESISTOR	4.7kΩ 1/16W J		R972	NRS181J-221X	MG RESISTOR	220Ω 1/8W J	
R736	NRSA6AJ-472W	MG RESISTOR	4.7kΩ 1/16W J		R973	NRSA6AJ-222W	MG RESISTOR	2.2kΩ 1/16W J	
R737	NRSA6AJ-224W	MG RESISTOR	220kΩ 1/16W J		R974	NRSA6AJ-473W	MG RESISTOR	47kΩ 1/16W J	
R738	NRSA6AJ-224W	MG RESISTOR	220kΩ 1/16W J		R976	NRSA6AJ-563W	MG RESISTOR	56kΩ 1/16W J	
R740	NRSA6AJ-103W	MG RESISTOR	10kΩ 1/16W J		R977	NRSA6AJ-183W	MG RESISTOR	18kΩ 1/16W J	
R741	NRSA6AJ-106W	MG RESISTOR	10MΩ 1/16W J		R981	NRS181J-222X	MG RESISTOR	2.2kΩ 1/8W J	
R742	NRSA6AJ-473W	MG RESISTOR	47kΩ 1/16W J		R982	NRS181J-222X	MG RESISTOR	2.2kΩ 1/8W J	
R743	NRSA6AJ-0R0W	MG RESISTOR	0Ω 1/16W J		RA763	NRZ0065-222X	NET RESISTOR	2.2kΩ	
R745	NRSA6AJ-472W	MG RESISTOR	4.7kΩ 1/16W J		L1	QQL244J-4R7Z	P COIL	4.7uH J	
R746	NRSA6AJ-472W	MG RESISTOR	4.7kΩ 1/16W J		L401	NQR0007-002X	FERRITE BEADS		
R747	NRSA6AJ-472W	MG RESISTOR	4.7kΩ 1/16W J		L411	NQL114K-470X	INDUCTOR	47uH K	
R748	NRSA6AJ-103W	MG RESISTOR	10kΩ 1/16W J		L752	QQL244J-470Z	COIL	47uH J	
R761	NRSA6AJ-472W	MG RESISTOR	4.7kΩ 1/16W J		L901	QQR1378-002	COIL		
R762	NRSA6AJ-472W	MG RESISTOR	4.7kΩ 1/16W J		L911	NQL56CK-220X	COIL	22uH K	
R763	NRSA6AJ-472W	MG RESISTOR	4.7kΩ 1/16W J		L921	NQL56CK-220X	COIL	22uH K	
R764	NRSA6AJ-102W	MG RESISTOR	1kΩ 1/16W J		L922	NQLB7GM-100X	COIL	10uH M	
R765	NRSA6AJ-222W	MG RESISTOR	2.2kΩ 1/16W J		L923	NQL71EM-330X	COIL	33uH M	
					CN141	QGA2006C1-04	CONNECTOR	W-B (1-4)	DV53 88UF
					CN701	QGZ1601J1-15	CONNECTOR	(1-15)	

△ Symbol No.	Part No.	Part Name	Description	Local
CN821	QGA2001C1-02	CONNECTOR	W-B (1-2)	
CN901	QNZ0607-001	CAR CONNECTOR		
CN961	QGB2044M1-30	CONNECTOR	B-B (1-30)	
CN962	QGF0534F3-45X	CONNECTOR	FFC/FPC (1-45)	
CN963	QGB2043L1-30X	CONNECTOR	B-B (1-30)	
J1	QNB0190-001	CAR ANT JACK		
J331	QNN0770-001	3P PIN JACK		
J801	QNZ0095-001	CONNECTOR		
K401	NQR0007-002X	FERRITE BEADS		
K402	NQR0007-002X	FERRITE BEADS		
K411	NQR0201-004X	FERRITE BEADS		
PP2	QZW0010-001	STYLE PIN		DV53 88UF
S731	QSW0648-001Z	TACT SW		
TH721	NAD0028-103X	N THERMISTOR	10kΩ	
△ TU1	QAU0484-001	TUNER PACK		
X721	QAX0401-001	CRYSTAL	32.768KHz	
X722	QAX0916-001Z	CRYSTAL		

△ Symbol No.	Part No.	Part Name	Description	Local
R615	NRSA63J-272X	MG RESISTOR	2.7kΩ 1/16W J	
R616	NRSA63J-392X	MG RESISTOR	3.9kΩ 1/16W J	
R617	NRSA63J-103X	MG RESISTOR	10kΩ 1/16W J	
R620	NRSA63J-0R0X	MG RESISTOR	0Ω 1/16W J	DV53 88UF
R621	NRSA63J-0R0X	MG RESISTOR	0Ω 1/16W J	DV53 88UF
R622	NRSA63J-473X	MG RESISTOR	47kΩ 1/16W J	DV53 88UF
R623	NRSA63J-473X	MG RESISTOR	47kΩ 1/16W J	DV53 88UF
R624	NRSA63J-471X	MG RESISTOR	470Ω 1/16W J	DV53 88UF
R630	NRSA02J-621X	MG RESISTOR	620Ω 1/10W J	
R632	NRSA02J-621X	MG RESISTOR	620Ω 1/10W J	
R634	NRSA02J-621X	MG RESISTOR	620Ω 1/10W J	
R636	NRSA63J-561X	MG RESISTOR	560Ω 1/16W J	
R638	NRSA63J-561X	MG RESISTOR	560Ω 1/16W J	
R640	NRSA02J-621X	MG RESISTOR	620Ω 1/10W J	
R642	NRSA63J-561X	MG RESISTOR	560Ω 1/16W J	
R644	NRSA63J-561X	MG RESISTOR	560Ω 1/16W J	
R646	NRSA63J-561X	MG RESISTOR	560Ω 1/16W J	
R648	NRSA63J-561X	MG RESISTOR	560Ω 1/16W J	
R650	NRSA63J-561X	MG RESISTOR	560Ω 1/16W J	
R652	NRSA02J-621X	MG RESISTOR	620Ω 1/10W J	
R654	NRSA02J-271X	MG RESISTOR	270Ω 1/10W J	
R657	NRSA02J-181X	MG RESISTOR	180Ω 1/10W J	
R660	NRSA63J-0R0X	MG RESISTOR	0Ω 1/16W J	
R661	NRSA63J-222X	MG RESISTOR	2.2kΩ 1/16W J	
R662	NRSA63J-222X	MG RESISTOR	2.2kΩ 1/16W J	
R663	NRSA63J-225X	MG RESISTOR	2.2MΩ 1/16W J	
R664	NRSA63J-103X	MG RESISTOR	10kΩ 1/16W J	
R665	NRSA63J-513X	MG RESISTOR	51kΩ 1/16W J	
R666	NRSA63J-103X	MG RESISTOR	10kΩ 1/16W J	
R667	NRSA63J-103X	MG RESISTOR	10kΩ 1/16W J	
R668	NRSA63J-103X	MG RESISTOR	10kΩ 1/16W J	
R681	NRSA63J-471X	MG RESISTOR	470Ω 1/16W J	
R682	NRSA63J-103X	MG RESISTOR	10kΩ 1/16W J	

Switch board(DV5388,DV4388)

Block No. [0][8]

△ Symbol No.	Part No.	Part Name	Description	Local
IC661	PT6523LQ-L	LCD DRIVER		
IC681	RPM7338-V4	RM.RECEIVER		
D630	SML-310LT/MN/-X	LED		
D631	SML-310LT/MN/-X	LED		
D632	SML-310LT/MN/-X	LED		
D633	SML-310LT/MN/-X	LED		
D634	SML-310LT/MN/-X	LED		
D635	SML-310LT/MN/-X	LED		
D636	SML-310LT/MN/-X	LED		
D637	SML-310LT/MN/-X	LED		
D638	SML-310LT/MN/-X	LED		
D639	SML-310LT/MN/-X	LED		
D640	SML-310LT/MN/-X	LED		
D641	SML-310LT/MN/-X	LED		
D642	SML-310LT/MN/-X	LED		
D643	SML-310LT/MN/-X	LED		
D644	SML-310LT/MN/-X	LED		
D645	SML-310LT/MN/-X	LED		
D646	SML-310LT/MN/-X	LED		
D647	SML-310LT/MN/-X	LED		
D648	SML-310LT/MN/-X	LED		
D649	SML-310LT/MN/-X	LED		
D650	NSPW310BS/B2RST	LED		
D651	NSPW310BS/B2RST	LED		
D661	1SS355W-X	DIODE		
D661	or MA111-X	SI DIODE		
D662	UDZW5.1B-X	SB DIODE		
D662	or MA8051/M/-X	Z DIODE		
C620	NCB31HK-473X	C CAPACITOR	0.047uF 50V K	DV53 88UF
C661	NCB21AK-105X	C CAPACITOR	1uF 10V K	
C662	NCS31HJ-681X	C CAPACITOR	680pF 50V J	
C663	NCB31HK-223X	C CAPACITOR	0.022uF 50V K	
C682	NCB31HK-103X	C CAPACITOR	0.01uF 50V K	

△ Symbol No.	Part No.	Part Name	Description	Local
CJ601	QGZ1601K1-15S	CONNECTOR	(1-15)	
J601	QNS0215-001	3.5 JACK		DV53 88UF
JS686	QSW1219-001	ROTARY ENCODER		
S601	NSW0124-001X	TACT SW		
S602	NSW0124-001X	TACT SW		
S603	NSW0124-001X	TACT SW		
S604	NSW0124-001X	TACT SW		
S605	NSW0124-001X	TACT SW		
S606	NSW0124-001X	TACT SW		
S607	NSW0124-001X	TACT SW		
S608	NSW0124-001X	TACT SW		
S609	NSW0124-001X	TACT SW		
S610	NSW0124-001X	TACT SW		
S611	NSW0124-001X	TACT SW		
S612	NSW0124-001X	TACT SW		
S613	NSW0124-001X	TACT SW		
S614	NSW0124-001X	TACT SW		
S615	NSW0124-001X	TACT SW		
S616	NSW0124-001X	TACT SW		
S617	NSW0124-001X	TACT SW		
S618	NSW0124-001X	TACT SW		

Main board(Only DVH426)

Block No. [0][9]

△ Symbol No.	Part No.	Part Name	Description	Local
IC161	NJW1192V-X	IC		
△ IC301	TB2904HQ	IC		
IC401	SN74AHCT1G08V-X	IC		
IC402	TOTX177L	OPTICAL JACK		
IC411	MM1510XN-X	IC		
△ IC721	UPD784218AGC347	IC(PROGRAMD)		
IC722	BR24L16F-W-X	IC(DIGITAL)		
IC723	S-80833CNNB-G-W	IC		

△ Symbol No.	Part No.	Part Name	Description	Local	△ Symbol No.	Part No.	Part Name	Description	Local
IC723	or IC-PST3433U-X	IC			D903	1SS355W-X	DIODE		
IC801	SN74AHC126NS-X	IC			D903	or MA111-X	SI DIODE		
△ IC901	R2S25400DS-E	IC			D906	UDZW5.1B-X	SB DIODE		
△ IC921	BA33BC0FP-X	IC			D906	or MA8051/M/-X	Z DIODE		
△ IC922	BD9778HFP-W	IC			D921	1A3G-T1	SI DIODE		
IC961	SN74LVC32APW-X	IC			D922	RB051L-40-X	SB DIODE		
IC962	SN74HCT32APW-X	IC			D923	CRS03-W	SB DIODE		
Q2	RT1N141C-X	DIGI TRANSISTOR			D923	or RB160M-30-X	SB DIODE		
Q2	or UN2211-X	TRANSISTOR			D924	CRS03-W	SB DIODE		
Q301	RT1N441C-X	TRANSISTOR			D924	or RB160M-30-X	SB DIODE		
Q301	or UN2213-X	DIGI TRANSISTOR			D925	CRS03-W	SB DIODE		
Q302	RT1P441C-X	DIGI TRANSISTOR			D925	or RB160M-30-X	SB DIODE		
Q302	or UN2113-X	TRANSISTOR			D981	CRS03-W	SB DIODE		
Q303	RT1N141C-X	DIGI TRANSISTOR			D981	or RB160M-30-X	SB DIODE		
Q303	or UN2211-X	TRANSISTOR			D982	CRS03-W	SB DIODE		
Q344	KTD1304-X	TRANSISTOR			D982	or RB160M-30-X	SB DIODE		
Q354	KTD1304-X	TRANSISTOR			C2	NDC31HJ-2R0X	C CAPACITOR	2pF 50V J	
Q781	RT1P141C-X	DIGI TRANSISTOR			C4	NCB31HK-103X	C CAPACITOR	0.01uF 50V K	
Q781	or UN2111-X	TRANSISTOR			C5	QEKJ1CM-476Z	E CAPACITOR	47uF 16V M	
Q783	RT1P141C-X	DIGI TRANSISTOR			C6	NCB31EK-473X	C CAPACITOR	0.047uF 25V K	
Q783	or UN2111-X	TRANSISTOR			C7	QEKJ1AM-227Z	E CAPACITOR	220uF 10V M	
Q821	RT1N141C-X	DIGI TRANSISTOR			C8	NCB31CK-104X	C CAPACITOR	0.1uF 16V K	
Q821	or UN2211-X	TRANSISTOR			C9	NCB31CK-104X	C CAPACITOR	0.1uF 16V K	
Q822	RT1P141C-X	DIGI TRANSISTOR			C83	QEKJ1HM-475Z	E CAPACITOR	4.7uF 50V M	
Q822	or UN2111-X	TRANSISTOR			C93	QEKJ1HM-475Z	E CAPACITOR	4.7uF 50V M	
Q823	2SC4485/ST/-T	TRANSISTOR			C161	QTE1A57-107Z	E CAPACITOR	100uF 10V	
Q885	RT1N141C-X	DIGI TRANSISTOR			C162	NCB31HK-103X	C CAPACITOR	0.01uF 50V K	
Q885	or UN2211-X	TRANSISTOR			C164	QTE1C57-106Z	E CAPACITOR	10uF 16V	
Q903	2SA1530A/R/-X	TRANSISTOR			C169	NCB31HK-103X	C CAPACITOR	0.01uF 50V K	
Q903	or 2SB709A/R/-X	TRANSISTOR			C171	QEKJ1HM-225Z	E CAPACITOR	2.2uF 50V M	
Q904	RT1N141C-X	DIGI TRANSISTOR			C172	QTE1H55-225Z	E CAPACITOR	2.2uF 50V	
Q904	or UN2211-X	TRANSISTOR			C173	QEKJ1CM-226Z	E CAPACITOR	22uF 16V M	
Q976	RT1N441C-X	TRANSISTOR			C174	NCS31HJ-471X	C CAPACITOR	470pF 50V J	
Q976	or UN2213-X	DIGI TRANSISTOR			C175	NCB31CK-104X	C CAPACITOR	0.1uF 16V K	
Q977	2SA1530A/R/-X	TRANSISTOR			C176	NCB31HK-472X	C CAPACITOR	4700pF 50V K	
Q977	or 2SB709A/R/-X	TRANSISTOR			C177	QEKJ1HM-225Z	E CAPACITOR	2.2uF 50V M	
D1	1SS355W-X	DIODE			C178	NCB31CK-104X	C CAPACITOR	0.1uF 16V K	
D1	or MA111-X	SI DIODE			C179	QEKJ1HM-475Z	E CAPACITOR	4.7uF 50V M	
D2	1SS355W-X	DIODE			C180	QTE1H57-475Z	E CAPACITOR	4.7uF 50V	
D2	or MA111-X	SI DIODE			C181	QEKJ1HM-225Z	E CAPACITOR	2.2uF 50V M	
D301	UDZW11B-X	Z DIODE			C182	QTE1H55-225Z	E CAPACITOR	2.2uF 50V	
D301	or MA8110/M/-X	Z DIODE			C183	QEKJ1CM-226Z	E CAPACITOR	22uF 16V M	
D302	1SS355W-X	DIODE			C184	NCS31HJ-471X	C CAPACITOR	470pF 50V J	
D302	or MA111-X	SI DIODE			C185	NCB31CK-104X	C CAPACITOR	0.1uF 16V K	
D305	CRS03-W	SB DIODE			C186	NCB31HK-472X	C CAPACITOR	4700pF 50V K	
D305	or RB160M-30-X	SB DIODE			C187	QEKJ1HM-225Z	E CAPACITOR	2.2uF 50V M	
D308	CRS03-W	SB DIODE			C188	NCB31CK-104X	C CAPACITOR	0.1uF 16V K	
D308	or RB160M-30-X	SB DIODE			C189	QEKJ1HM-475Z	E CAPACITOR	4.7uF 50V M	
D344	1SS355W-X	DIODE			C190	QTE1H57-475Z	E CAPACITOR	4.7uF 50V	
D344	or MA111-X	SI DIODE			C301	QEKJ1CM-476Z	E CAPACITOR	47uF 16V M	
D354	1SS355W-X	DIODE			C302	NCB31HK-103X	C CAPACITOR	0.01uF 50V K	
D354	or MA111-X	SI DIODE			C311	QEKJ1EM-475Z	E CAPACITOR	4.7uF 25V M	
D401	CRS03-W	SB DIODE			C312	QTE1C57-476Z	E CAPACITOR	47uF 16V	
D401	or RB160M-30-X	SB DIODE			C313	NCB31HK-103X	C CAPACITOR	0.01uF 50V K	
D411	UDZW12B-X	Z DIODE			C314	QEKJ1HM-225Z	E CAPACITOR	2.2uF 50V M	
D411	or MA8120/M/-X	Z DIODE			C315	QEKJ1HM-475Z	E CAPACITOR	4.7uF 50V M	
D731	1SS355W-X	DIODE			C316	NCB31HK-103X	C CAPACITOR	0.01uF 50V K	
D731	or MA111-X	SI DIODE			C328	QFV91HJ-474Z	MF CAPACITOR	0.47uF 50V J	
D781	1SS355W-X	DIODE			C329	NCS31HJ-101X	C CAPACITOR	100pF 50V J	
D781	or MA111-X	SI DIODE			C331	NCB31HK-223X	C CAPACITOR	0.022uF 50V K	
D782	1SS355W-X	DIODE			C338	QFV91HJ-474Z	MF CAPACITOR	0.47uF 50V J	
D782	or MA111-X	SI DIODE			C339	NCS31HJ-101X	C CAPACITOR	100pF 50V J	
D783	UDZW11B-X	Z DIODE			C346	QEKJ1EM-475Z	E CAPACITOR	4.7uF 25V M	
D783	or MA8110/M/-X	Z DIODE			C348	QFV91HJ-474Z	MF CAPACITOR	0.47uF 50V J	
D801	CRS03-W	SB DIODE			C349	NCS31HJ-101X	C CAPACITOR	100pF 50V J	
D801	or RB160M-30-X	SB DIODE			C356	QEKJ1EM-475Z	E CAPACITOR	4.7uF 25V M	
D821	UDZW12B-X	Z DIODE			C358	QFV91HJ-474Z	MF CAPACITOR	0.47uF 50V J	
D821	or MA8120/M/-X	Z DIODE			C359	NCS31HJ-101X	C CAPACITOR	100pF 50V J	
D851	CRS03-W	SB DIODE			C401	NCS31HJ-220X	C CAPACITOR	22pF 50V J	
D851	or RB160M-30-X	SB DIODE			C402	NCB31HK-103X	C CAPACITOR	0.01uF 50V K	
D852	CRS03-W	SB DIODE			C403	NCB31HK-103X	C CAPACITOR	0.01uF 50V K	
D852	or RB160M-30-X	SB DIODE			C404	QEKJ0JM-107Z	E CAPACITOR	100uF 6.3V M	
D885	1SS355W-X	DIODE			C405	NCS31HJ-220X	C CAPACITOR	22pF 50V J	
D885	or MA111-X	SI DIODE			C406	NCB31HK-103X	C CAPACITOR	0.01uF 50V K	
△ D901	1N5401-F64	SI DIODE			C411	QEKJ1AM-227Z	E CAPACITOR	220uF 10V M	
△ D901	or 1N5401-TU-15	SI DIODE			C412	NCB31EK-473X	C CAPACITOR	0.047uF 25V K	
					C413	QCZ0202-155Z	C CAPACITOR	1.5uF 25V Z	

△ Symbol No.	Part No.	Part Name	Description	Local	△ Symbol No.	Part No.	Part Name	Description	Local
C414	QERF0JM-337Z	E CAPACITOR	330uF 6.3V M		R171	NRSA63J-393X	MG RESISTOR	39kΩ 1/16W J	
C415	NCS31HJ-101X	C CAPACITOR	100pF 50V J		R172	NRSA63J-472X	MG RESISTOR	4.7kΩ 1/16W J	
C416	NCB31HK-103X	C CAPACITOR	0.01uF 50V K		R173	NRSA63J-222X	MG RESISTOR	2.2kΩ 1/16W J	
C701	NCB31CK-104X	C CAPACITOR	0.1uF 16V K		R181	NRSA63J-393X	MG RESISTOR	39kΩ 1/16W J	
C702	NCB31CK-104X	C CAPACITOR	0.1uF 16V K		R182	NRSA63J-472X	MG RESISTOR	4.7kΩ 1/16W J	
C721	NCB31EK-473X	C CAPACITOR	0.047uF 25V K		R183	NRSA63J-222X	MG RESISTOR	2.2kΩ 1/16W J	
C722	QEKJ1AM-227Z	E CAPACITOR	220uF 10V M		R302	NRSA63J-0R0X	MG RESISTOR	0Ω 1/16W J	
C723	NCS31HJ-471X	C CAPACITOR	470pF 50V J		R304	NRSA63J-473X	MG RESISTOR	47kΩ 1/16W J	
C724	NCS31HJ-471X	C CAPACITOR	470pF 50V J		R305	NRSA63J-103X	MG RESISTOR	10kΩ 1/16W J	
C725	QEKJ1AM-227Z	E CAPACITOR	220uF 10V M		R306	NRS181J-0R0X	MG RESISTOR	0Ω 1/8W J	
C726	NDC31HJ-8R0X	C CAPACITOR	8pF 50V J		R307	NRSA63J-472X	MG RESISTOR	4.7kΩ 1/16W J	
C727	NDC31HJ-270X	C CAPACITOR	27pF 50V J		R327	NRSA63J-0R0X	MG RESISTOR	0Ω 1/16W J	
C728	NDC31HJ-270X	C CAPACITOR	27pF 50V J		R329	NRSA63J-102X	MG RESISTOR	1kΩ 1/16W J	
C729	NDC31HJ-220X	C CAPACITOR	22pF 50V J		R330	NRSA63J-102X	MG RESISTOR	1kΩ 1/16W J	
C730	QEKJ0JM-476Z	E CAPACITOR	47uF 6.3V M		R337	NRSA63J-0R0X	MG RESISTOR	0Ω 1/16W J	
C731	NCB31HK-103X	C CAPACITOR	0.01uF 50V K		R339	NRSA63J-102X	MG RESISTOR	1kΩ 1/16W J	
C732	QEKJ1AM-227Z	E CAPACITOR	220uF 10V M		R340	NRSA63J-102X	MG RESISTOR	1kΩ 1/16W J	
C733	NCS31HJ-471X	C CAPACITOR	470pF 50V J		R343	NRSA63J-473X	MG RESISTOR	47kΩ 1/16W J	
C781	QEKJ0JM-476Z	E CAPACITOR	47uF 6.3V M		R344	NRSA63J-222X	MG RESISTOR	2.2kΩ 1/16W J	
C783	QEKJ1CM-107Z	E CAPACITOR	100uF 16V M		R345	NRSA63J-102X	MG RESISTOR	1kΩ 1/16W J	
C801	NCS31HJ-220X	C CAPACITOR	22pF 50V J		R346	NRSA63J-101X	MG RESISTOR	100Ω 1/16W J	
C802	NCS31HJ-220X	C CAPACITOR	22pF 50V J		R347	NRSA63J-0R0X	MG RESISTOR	0Ω 1/16W J	
C803	NCB31CK-473X	C CAPACITOR	0.047uF 16V K		R349	NRSA63J-102X	MG RESISTOR	1kΩ 1/16W J	
C804	NCS31HJ-220X	C CAPACITOR	22pF 50V J		R350	NRSA63J-102X	MG RESISTOR	1kΩ 1/16W J	
C821	QEKJ1CM-106Z	E CAPACITOR	10uF 16V M		R353	NRSA63J-473X	MG RESISTOR	47kΩ 1/16W J	
C822	QEKJ1CM-106Z	E CAPACITOR	10uF 16V M		R354	NRSA63J-222X	MG RESISTOR	2.2kΩ 1/16W J	
C823	NCB31HK-103X	C CAPACITOR	0.01uF 50V K		R355	NRSA63J-102X	MG RESISTOR	1kΩ 1/16W J	
C851	NCB31CK-104X	C CAPACITOR	0.1uF 16V K		R356	NRSA63J-101X	MG RESISTOR	100Ω 1/16W J	
C885	QEKJ1CM-106Z	E CAPACITOR	10uF 16V M		R357	NRSA63J-0R0X	MG RESISTOR	0Ω 1/16W J	
C889	NCB31CK-104X	C CAPACITOR	0.1uF 16V K		R359	NRSA63J-102X	MG RESISTOR	1kΩ 1/16W J	
C901	QEZ0722-338	E CAPACITOR	3300uF 160V M		R360	NRSA63J-102X	MG RESISTOR	1kΩ 1/16W J	
C902	QEKJ1HM-225Z	E CAPACITOR	2.2uF 50V M		R401	NRSA63J-471X	MG RESISTOR	470Ω 1/16W J	
C903	QEKJ1CM-106Z	E CAPACITOR	10uF 16V M		R402	NRSA63J-100X	MG RESISTOR	10Ω 1/16W J	
C904	QEKJ1CM-226Z	E CAPACITOR	22uF 16V M		R403	NRSA63J-471X	MG RESISTOR	470Ω 1/16W J	
C905	QEKJ1AM-107Z	E CAPACITOR	100uF 10V M		R404	NRSA63J-1R0X	MG RESISTOR	1Ω 1/16W J	
C906	QEKJ1CM-476Z	E CAPACITOR	47uF 16V M		R412	NRSA63D-682X	MG RESISTOR	6.8kΩ 1/16W D	
C907	NCB31HK-103X	C CAPACITOR	0.01uF 50V K		R413	NRSA63J-100X	MG RESISTOR	10Ω 1/16W J	
C909	QEKJ1CM-107Z	E CAPACITOR	100uF 16V M		R414	NRSA63J-102X	MG RESISTOR	1kΩ 1/16W J	
C911	NCB31HK-102X	C CAPACITOR	1000pF 50V K		R415	NRSA63J-750X	MG RESISTOR	75Ω 1/16W J	
C912	QEKJ1CM-226Z	E CAPACITOR	22uF 16V M		R416	NRSA63J-0R0X	MG RESISTOR	0Ω 1/16W J	
C913	NCB31EK-473X	C CAPACITOR	0.047uF 25V K		R417	NRSA63D-181X	MG RESISTOR	180Ω 1/16W D	
C921	QEKJ1AM-227Z	E CAPACITOR	220uF 10V M		R704	NRSA63J-271X	MG RESISTOR	270Ω 1/16W J	
C922	QEKJ1AM-107Z	E CAPACITOR	100uF 10V M		R705	NRSA63J-271X	MG RESISTOR	270Ω 1/16W J	
C925	QEKJ1AM-227Z	E CAPACITOR	220uF 10V M		R706	NRSA63J-103X	MG RESISTOR	10kΩ 1/16W J	
C926	QEXF1AM-476Z	E CAPACITOR	47uF 10V M		R707	NRSA63J-103X	MG RESISTOR	10kΩ 1/16W J	
C927	QEZ0595-477Z	E CAPACITOR	470uF 25V M		R713	NRSA63J-103X	MG RESISTOR	10kΩ 1/16W J	
C928	NCF31CZ-104X	C CAPACITOR	0.1uF 16V Z		R714	NRSA63J-104X	MG RESISTOR	100kΩ 1/16W J	
C929	NCB31HK-472X	C CAPACITOR	4700pF 50V K		R715	NRSA63J-271X	MG RESISTOR	270Ω 1/16W J	
C931	NCF31CZ-104X	C CAPACITOR	0.1uF 16V Z		R716	NRSA63J-271X	MG RESISTOR	270Ω 1/16W J	
C962	QEKJ1AM-227Z	E CAPACITOR	220uF 10V M		R717	NRSA63J-221X	MG RESISTOR	220Ω 1/16W J	
C963	QEKJ1AM-227Z	E CAPACITOR	220uF 10V M		R718	NRSA63J-103X	MG RESISTOR	10kΩ 1/16W J	
C966	NCB31CK-104X	C CAPACITOR	0.1uF 16V K		R719	NRSA63J-102X	MG RESISTOR	1kΩ 1/16W J	
C967	NCB31CK-104X	C CAPACITOR	0.1uF 16V K		R720	NRSA63J-102X	MG RESISTOR	1kΩ 1/16W J	
C968	NCB31EK-473X	C CAPACITOR	0.047uF 25V K		R721	NRSA63J-222X	MG RESISTOR	2.2kΩ 1/16W J	
C969	NCB31EK-473X	C CAPACITOR	0.047uF 25V K		R722	NRSA63J-222X	MG RESISTOR	2.2kΩ 1/16W J	
C981	NCB31CK-104X	C CAPACITOR	0.1uF 16V K		R725	NRSA63J-473X	MG RESISTOR	47kΩ 1/16W J	
C999	NCS31HJ-101X	C CAPACITOR	100pF 50V J		R726	NRSA63J-103X	MG RESISTOR	10kΩ 1/16W J	
					R727	NRSA63J-562X	MG RESISTOR	5.6kΩ 1/16W J	
R1	NRSA63J-0R0X	MG RESISTOR	0Ω 1/16W J		R728	NRSA63J-472X	MG RESISTOR	4.7kΩ 1/16W J	
R2	NRSA63J-122X	MG RESISTOR	1.2kΩ 1/16W J		R729	NRSA63J-0R0X	MG RESISTOR	0Ω 1/16W J	
R3	NRSA63J-122X	MG RESISTOR	1.2kΩ 1/16W J		R733	NRSA63J-103X	MG RESISTOR	10kΩ 1/16W J	
R4	NRSA63J-102X	MG RESISTOR	1kΩ 1/16W J		R735	NRSA63J-0R0X	MG RESISTOR	0Ω 1/16W J	
R5	NRSA63J-0R0X	MG RESISTOR	0Ω 1/16W J		R736	NRSA63J-222X	MG RESISTOR	2.2kΩ 1/16W J	
R6	NRSA63J-0R0X	MG RESISTOR	0Ω 1/16W J		R737	NRSA63J-222X	MG RESISTOR	2.2kΩ 1/16W J	
R7	NRSA63J-473X	MG RESISTOR	47kΩ 1/16W J		R738	NRSA63J-472X	MG RESISTOR	4.7kΩ 1/16W J	
R8	NRSA63J-101X	MG RESISTOR	100Ω 1/16W J		R739	NRSA63J-472X	MG RESISTOR	4.7kΩ 1/16W J	
R9	NRSA63J-473X	MG RESISTOR	47kΩ 1/16W J		R743	NRSA63J-473X	MG RESISTOR	47kΩ 1/16W J	
R10	NRSA63J-472X	MG RESISTOR	4.7kΩ 1/16W J		R744	NRSA63J-821X	MG RESISTOR	820Ω 1/16W J	
R11	NRSA63J-472X	MG RESISTOR	4.7kΩ 1/16W J		R745	NRSA63J-106X	MG RESISTOR	10MΩ 1/16W J	
R12	NRS181J-4R7X	MG RESISTOR	4.7Ω 1/8W J		R746	NRSA63J-473X	MG RESISTOR	47kΩ 1/16W J	
R13	NRS181J-6R8X	MG RESISTOR	6.8Ω 1/8W J		R749	NRSA63J-473X	MG RESISTOR	47kΩ 1/16W J	
R14	NRSA63J-123X	MG RESISTOR	12kΩ 1/16W J		R750	NRSA63J-473X	MG RESISTOR	47kΩ 1/16W J	
R15	NRSA63J-202X	MG RESISTOR	2kΩ 1/16W J		R751	NRSA63J-333X	MG RESISTOR	33kΩ 1/16W J	
R19	NRSA63J-473X	MG RESISTOR	47kΩ 1/16W J		R755	NRSA63J-103X	MG RESISTOR	10kΩ 1/16W J	
R81	NRSA63J-123X	MG RESISTOR	12kΩ 1/16W J		R756	NRSA63J-222X	MG RESISTOR	2.2kΩ 1/16W J	
R82	NRSA63J-472X	MG RESISTOR	4.7kΩ 1/16W J		R757	NRSA63J-473X	MG RESISTOR	47kΩ 1/16W J	
R91	NRSA63J-123X	MG RESISTOR	12kΩ 1/16W J		R758	NRSA63J-224X	MG RESISTOR	220kΩ 1/16W J	
R92	NRSA63J-472X	MG RESISTOR	4.7kΩ 1/16W J		R759	NRSA63J-224X	MG RESISTOR	220kΩ 1/16W J	

Symbol No.	Part No.	Part Name	Description	Local
R760	NRSA63J-472X	MG RESISTOR	4.7kΩ 1/16W J	
R761	NRSA63J-472X	MG RESISTOR	4.7kΩ 1/16W J	
R762	NRSA63J-472X	MG RESISTOR	4.7kΩ 1/16W J	
R763	NRSA63J-103X	MG RESISTOR	10kΩ 1/16W J	
R765	NRSA63J-103X	MG RESISTOR	10kΩ 1/16W J	
R766	NRSA63J-473X	MG RESISTOR	47kΩ 1/16W J	
R767	NRSA63J-103X	MG RESISTOR	10kΩ 1/16W J	
R768	NRSA63J-0R0X	MG RESISTOR	0Ω 1/16W J	
R771	NRSA63J-392X	MG RESISTOR	3.9kΩ 1/16W J	
R774	NRSA63J-472X	MG RESISTOR	4.7kΩ 1/16W J	
R775	NRSA63J-472X	MG RESISTOR	4.7kΩ 1/16W J	
R776	NRSA63J-472X	MG RESISTOR	4.7kΩ 1/16W J	
R777	NRSA63J-102X	MG RESISTOR	1kΩ 1/16W J	
R779	NRSA63J-222X	MG RESISTOR	2.2kΩ 1/16W J	
R781	NRSA63J-471X	MG RESISTOR	470Ω 1/16W J	
R801	NRSA63J-101X	MG RESISTOR	100Ω 1/16W J	
R802	NRSA63J-473X	MG RESISTOR	47kΩ 1/16W J	
R803	NRSA63J-223X	MG RESISTOR	22kΩ 1/16W J	
R804	NRSA63J-104X	MG RESISTOR	100kΩ 1/16W J	
R805	NRSA63J-103X	MG RESISTOR	10kΩ 1/16W J	
R806	NRSA63J-104X	MG RESISTOR	100kΩ 1/16W J	
R807	NRSA63J-331X	MG RESISTOR	330Ω 1/16W J	
R808	NRSA63J-223X	MG RESISTOR	22kΩ 1/16W J	
R809	NRSA63J-101X	MG RESISTOR	100Ω 1/16W J	
R810	NRSA63J-473X	MG RESISTOR	47kΩ 1/16W J	
R821	NRSA63J-100X	MG RESISTOR	10Ω 1/16W J	
R822	NRSA63J-471X	MG RESISTOR	470Ω 1/16W J	
R823	NRSA63J-223X	MG RESISTOR	22kΩ 1/16W J	
R841	NRSA63J-473X	MG RESISTOR	47kΩ 1/16W J	
R844	NRSA63J-473X	MG RESISTOR	47kΩ 1/16W J	
R846	NRSA63J-392X	MG RESISTOR	3.9kΩ 1/16W J	
R847	NRSA63J-392X	MG RESISTOR	3.9kΩ 1/16W J	
R848	NRSA63J-221X	MG RESISTOR	220Ω 1/16W J	
R851	NRSA63J-472X	MG RESISTOR	4.7kΩ 1/16W J	
R885	NRSA63J-473X	MG RESISTOR	47kΩ 1/16W J	
R886	NRSA63J-472X	MG RESISTOR	4.7kΩ 1/16W J	
R887	NRSA63J-103X	MG RESISTOR	10kΩ 1/16W J	
R901	QRE142J-102X	C RESISTOR	1kΩ 1/4W J	
R902	NRSA63J-912X	MG RESISTOR	9.1kΩ 1/16W J	
R903	NRSA63J-472X	MG RESISTOR	4.7kΩ 1/16W J	
R909	NRSA63J-473X	MG RESISTOR	47kΩ 1/16W J	
R910	NRSA63J-222X	MG RESISTOR	2.2kΩ 1/16W J	
R914	NRS181J-221X	MG RESISTOR	220Ω 1/8W J	
R924	NRSA63J-394X	MG RESISTOR	390kΩ 1/16W J	
R927	NRSA63J-473X	MG RESISTOR	47kΩ 1/16W J	
R928	NRSA63J-393X	MG RESISTOR	39kΩ 1/16W J	
R929	NRSA63J-103X	MG RESISTOR	10kΩ 1/16W J	
R930	NRSA63J-154X	MG RESISTOR	150kΩ 1/16W J	
R962	NRSA63J-101X	MG RESISTOR	100Ω 1/16W J	
R973	NRSA63J-103X	MG RESISTOR	10kΩ 1/16W J	
R974	NRSA63J-103X	MG RESISTOR	10kΩ 1/16W J	
R975	NRSA63J-103X	MG RESISTOR	10kΩ 1/16W J	
R976	NRSA63J-563X	MG RESISTOR	56kΩ 1/16W J	
R977	NRSA63J-183X	MG RESISTOR	18kΩ 1/16W J	
R981	NRS181J-222X	MG RESISTOR	2.2kΩ 1/8W J	
R982	NRS181J-222X	MG RESISTOR	2.2kΩ 1/8W J	
RA723	NRZ0065-103X	NET RESISTOR	10kΩ 1/16W J	
RA962	NRZ0065-222X	NET RESISTOR	2.2kΩ	
L1	NQL334J-4R7X	COIL	4.7uH J	
L2	NQL093K-R22X	COIL	0.22uH K	
L401	NQR0007-002X	FERRITE BEADS		
L411	NQL114K-470X	INDUCTOR	47uH K	
L721	NQL38DK-330X	COIL	33uH K	
L722	QQL244J-470Z	COIL	47uH J	
L901	QQR1378-002	COIL		
L902	NQL56CK-220X	COIL	22uH K	
L924	NQL56CK-220X	COIL	22uH K	
L925	NQL71EM-330X	COIL	33uH M	
L927	NQLB7GM-100X	COIL	10uH M	
CN701	QGZ1601J1-15	CONNECTOR	(1-15)	
CN821	QGA2001C1-02	CONNECTOR	W-B (1-2)	
CN901	QNZ0607-001	CAR CONNECTOR		
CN961	QGB2027M3-30S	CONNECTOR	B-B (1-30)	
CN962	QGF0534F3-45X	CONNECTOR	FFC/FPC (1-45)	
CN963	QGB2027L9-30X	CONNECTOR	B-B (1-30)	
J1	QNB0190-001	CAR ANT JACK		

Symbol No.	Part No.	Part Name	Description	Local
J331	QNN0770-001	3P PIN JACK		
J801	QNZ0095-001	CONNECTOR		
K401	NQR0007-002X	FERRITE BEADS		
K402	NQR0007-002X	FERRITE BEADS		
K411	NQR0201-004X	FERRITE BEADS		
S723	QSW1049-001Z	TACT SW		
TH721	NAD0028-103X	N THERMISTOR	10kΩ	
TU1	QAU0443-002	TUNER PACK		
X721	QAX0617-001Z	CRYSTAL	12.500MHz	
X722	QAX0401-001	CRYSTAL	32.768KHz	

Switch board(Only DVH426)

Block No. [1][0]

Symbol No.	Part No.	Part Name	Description	Local
IC661	PT6523LQ-L	LCD DRIVER		
IC681	RPM7338-V4	RM.RECEIVER		
Q670	2SA1365/F-X	TRANSISTOR		
Q671	RT1N141C-X	DIGI TRANSISTOR		
Q671	or UN2211-X	TRANSISTOR		
D630	SML-310LT/MN/-X	LED		
D631	SML310BA1T/HJ-X	LED		
D632	SML310BA1T/HJ-X	LED		
D633	SML310BA1T/HJ-X	LED		
D635	SML310BA1T/HJ-X	LED		
D637	SML310BA1T/HJ-X	LED		
D638	SML310BA1T/HJ-X	LED		
D639	SML310BA1T/HJ-X	LED		
D640	SML310BA1T/HJ-X	LED		
D641	SML310BA1T/HJ-X	LED		
D642	SML310BA1T/HJ-X	LED		
D643	SML310BA1T/HJ-X	LED		
D644	SML310BA1T/HJ-X	LED		
D645	SML310BA1T/HJ-X	LED		
D646	SML310BA1T/HJ-X	LED		
D647	SML310BA1T/HJ-X	LED		
D648	SML310BA1T/HJ-X	LED		
D649	SML310BA1T/HJ-X	LED		
D650	SML310BA1T/HJ-X	LED		
D651	SML-310VT/JK/-X	LED		
D652	SML-310VT/JK/-X	LED		
D653	NSPW310BS/B2RST	LED		
D654	NSPW310BS/B2RST	LED		
D661	1SS355W-X	DIODE		
D661	or MA111-X	SI DIODE		
D662	UDZW5.1B-X	SB DIODE		
D662	or MA8051/M/-X	Z DIODE		
D681	UDZW6.2B-X	Z DIODE		
D681	or MA8062/M/-X	Z DIODE		
C661	NBE20JM-106X	TA E CAPACITOR	10uF 6.3V M	
C662	NCS31HJ-681X	C CAPACITOR	680pF 50V J	
C663	NCB31CK-223X	C CAPACITOR	0.022uF 16V K	
C664	NCB31CK-104X	C CAPACITOR	0.1uF 16V K	
C681	NBE20JM-475X	TA E CAPACITOR	4.7uF 6.3V M	
C682	NCB31HK-123X	C CAPACITOR	0.012uF 50V K	
C686	NCB31CK-223X	C CAPACITOR	0.022uF 16V K	
C687	NCB31CK-223X	C CAPACITOR	0.022uF 16V K	
R410	NRSA02J-181X	MG RESISTOR	180Ω 1/10W J	
R420	NRSA63J-181X	MG RESISTOR	180Ω 1/16W J	
R430	NRSA63J-181X	MG RESISTOR	180Ω 1/16W J	
R601	NRSA63J-821X	MG RESISTOR	820Ω 1/16W J	
R602	NRSA63J-821X	MG RESISTOR	820Ω 1/16W J	
R603	NRSA63J-122X	MG RESISTOR	1.2kΩ 1/16W J	
R604	NRSA63J-182X	MG RESISTOR	1.8kΩ 1/16W J	
R605	NRSA63J-272X	MG RESISTOR	2.7kΩ 1/16W J	
R606	NRSA63J-821X	MG RESISTOR	820Ω 1/16W J	
R607	NRSA63J-821X	MG RESISTOR	820Ω 1/16W J	
R608	NRSA63J-122X	MG RESISTOR	1.2kΩ 1/16W J	
R609	NRSA63J-182X	MG RESISTOR	1.8kΩ 1/16W J	

△ Symbol No.	Part No.	Part Name	Description	Local	△ Symbol No.	Part No.	Part Name	Description	Local
R610	NRSA63J-272X	MG RESISTOR	2.7kΩ 1/16W J		Q102	2SC4617/R/-X	TRANSISTOR		
R611	NRSA63J-821X	MG RESISTOR	820Ω 1/16W J		Q103	2SB1424/R/-W	TRANSISTOR		
R612	NRSA63J-821X	MG RESISTOR	820Ω 1/16W J		Q104	2SC4617/R/-X	TRANSISTOR		
R613	NRSA63J-122X	MG RESISTOR	1.2kΩ 1/16W J		Q105	2SC4617/R/-X	TRANSISTOR		
R614	NRSA63J-182X	MG RESISTOR	1.8kΩ 1/16W J		Q106	2SK3019-X	MOS FET		
R615	NRSA63J-272X	MG RESISTOR	2.7kΩ 1/16W J		Q107	2SK3019-X	MOS FET		
R625	NRSA63J-471X	MG RESISTOR	470Ω 1/16W J		Q231	RT1N141U-X	TRANSISTOR		
R627	NRSA63J-471X	MG RESISTOR	470Ω 1/16W J		Q301	RT1N441U-X	TRANSISTOR		
R630	NRSA63J-821X	MG RESISTOR	820Ω 1/16W J		Q302	RT1N441U-X	TRANSISTOR		
R631	NRSA63J-471X	MG RESISTOR	470Ω 1/16W J		C1	NCB31CK-104X	C CAPACITOR	0.1uF 16V K	
R633	NRSA63J-511X	MG RESISTOR	510Ω 1/16W J		C2	NCB31CK-104X	C CAPACITOR	0.1uF 16V K	
R635	NRSA63J-181X	MG RESISTOR	180Ω 1/16W J		C3	NCB31CK-104X	C CAPACITOR	0.1uF 16V K	
R637	NRSA63J-511X	MG RESISTOR	510Ω 1/16W J		C4	NCB31CK-104X	C CAPACITOR	0.1uF 16V K	
R639	NRSA63J-511X	MG RESISTOR	510Ω 1/16W J		C5	NCB31CK-104X	C CAPACITOR	0.1uF 16V K	
R641	NRSA63J-391X	MG RESISTOR	390Ω 1/16W J		C6	NCB31CK-104X	C CAPACITOR	0.1uF 16V K	
R643	NRSA63J-391X	MG RESISTOR	390Ω 1/16W J		C7	NCB31CK-104X	C CAPACITOR	0.1uF 16V K	
R645	NRSA63J-471X	MG RESISTOR	470Ω 1/16W J		C8	NCB31CK-104X	C CAPACITOR	0.1uF 16V K	
R649	NRS181J-391X	MG RESISTOR	390Ω 1/8W J		C9	NCB31CK-104X	C CAPACITOR	0.1uF 16V K	
R650	NRS181J-391X	MG RESISTOR	390Ω 1/8W J		C11	NCB31CK-104X	C CAPACITOR	0.1uF 16V K	
R661	NRSA63J-222X	MG RESISTOR	2.2kΩ 1/16W J		C12	NCB31CK-104X	C CAPACITOR	0.1uF 16V K	
R662	NRSA63J-222X	MG RESISTOR	2.2kΩ 1/16W J		C13	NCB31CK-104X	C CAPACITOR	0.1uF 16V K	
R663	NRSA63J-184X	MG RESISTOR	180kΩ 1/16W J		C14	NCB31CK-104X	C CAPACITOR	0.1uF 16V K	
R664	NRSA63J-103X	MG RESISTOR	10kΩ 1/16W J		C15	NCB31CK-104X	C CAPACITOR	0.1uF 16V K	
R665	NRSA63J-513X	MG RESISTOR	51kΩ 1/16W J		C16	NCB31CK-104X	C CAPACITOR	0.1uF 16V K	
R666	NRSA63J-103X	MG RESISTOR	10kΩ 1/16W J		C17	NCB31CK-104X	C CAPACITOR	0.1uF 16V K	
R667	NRSA63J-103X	MG RESISTOR	10kΩ 1/16W J		C18	NCB31CK-104X	C CAPACITOR	0.1uF 16V K	
R668	NRSA63J-103X	MG RESISTOR	10kΩ 1/16W J		C101	NCB31CK-104X	C CAPACITOR	0.1uF 16V K	
R670	NRS181J-471X	MG RESISTOR	470Ω 1/8W J		C102	NCB31CK-104X	C CAPACITOR	0.1uF 16V K	
R671	NRSA63J-473X	MG RESISTOR	47kΩ 1/16W J		C103	NCB31CK-104X	C CAPACITOR	0.1uF 16V K	
R672	NRS181J-102X	MG RESISTOR	1kΩ 1/8W J		C104	NCB31CK-104X	C CAPACITOR	0.1uF 16V K	
R681	NRSA63J-471X	MG RESISTOR	470Ω 1/16W J		C105	NBE41AM-476X	TA E CAPACITOR	47uF 10V M	
R682	NRSA63J-103X	MG RESISTOR	10kΩ 1/16W J		C106	NBE41AM-476X	TA E CAPACITOR	47uF 10V M	
R686	NRSA63J-101X	MG RESISTOR	100Ω 1/16W J		C108	NBE41AM-476X	TA E CAPACITOR	47uF 10V M	
R687	NRSA63J-473X	MG RESISTOR	47kΩ 1/16W J		C111	NCB31CK-104X	C CAPACITOR	0.1uF 16V K	
R688	NRSA63J-473X	MG RESISTOR	47kΩ 1/16W J		C112	NCB31CK-104X	C CAPACITOR	0.1uF 16V K	
CJ601	QGZ1601K1-15S	CONNECTOR	(1-15)		C201	NEAF1CM-107X	E CAPACITOR	100uF 16V M	
JS686	QSW0976-001	ROTARY ENCODER			C202	NCB31CK-104X	C CAPACITOR	0.1uF 16V K	
S601	NSW0124-001X	TACT SW			C203	NCB31HK-271X	C CAPACITOR	270pF 50V K	
S602	NSW0124-001X	TACT SW			C204	NDC31HJ-151X	C CAPACITOR	150pF 50V J	
S603	NSW0124-001X	TACT SW			C205	NCB31HK-681X	C CAPACITOR	680pF 50V K	
S604	NSW0124-001X	TACT SW			C206	NCB31HK-561X	C CAPACITOR	560pF 50V K	
S605	NSW0124-001X	TACT SW			C211	NEAF1CM-107X	E CAPACITOR	100uF 16V M	
S606	NSW0124-001X	TACT SW			C212	NCB31CK-104X	C CAPACITOR	0.1uF 16V K	
S607	NSW0124-001X	TACT SW			C213	NCB31CK-104X	C CAPACITOR	0.1uF 16V K	
S608	NSW0124-001X	TACT SW			C221	NCB31HK-223X	C CAPACITOR	0.022uF 50V K	
S609	NSW0124-001X	TACT SW			C222	NCB31HK-103X	C CAPACITOR	0.01uF 50V K	
S610	NSW0124-001X	TACT SW			C251	NCB31CK-104X	C CAPACITOR	0.1uF 16V K	
S611	NSW0124-001X	TACT SW			C252	NEAF1CM-107X	E CAPACITOR	100uF 16V M	
S612	NSW0124-001X	TACT SW			C253	NCB31CK-104X	C CAPACITOR	0.1uF 16V K	
S613	NSW0124-001X	TACT SW			C254	NBE21AM-106X	TA E CAPACITOR	10uF 10V M	
S614	NSW0124-001X	TACT SW			C255	NCB31CK-104X	C CAPACITOR	0.1uF 16V K	
S615	NSW0124-001X	TACT SW			C256	NCB31CK-473X	C CAPACITOR	0.047uF 16V K	
S616	NSW0124-001X	TACT SW			C257	NCB31HK-102X	C CAPACITOR	1000pF 50V K	
S617	NSW0124-001X	TACT SW			C258	NCB31HK-102X	C CAPACITOR	1000pF 50V K	
S618	NSW0124-001X	TACT SW			C259	NCB31HK-102X	C CAPACITOR	1000pF 50V K	
					C264	NCB31HK-103X	C CAPACITOR	0.01uF 50V K	
					C265	NCB31CK-104X	C CAPACITOR	0.1uF 16V K	
					C266	NCB31CK-104X	C CAPACITOR	0.1uF 16V K	
					C267	NCB31HK-103X	C CAPACITOR	0.01uF 50V K	
					C268	NCB31HK-153X	C CAPACITOR	0.015uF 50V K	
					C301	NEAF0JM-227X	E CAPACITOR	220uF 6.3V M	
					C302	NBE40JM-476X	TA E CAPACITOR	47uF 6.3V M	
					C305	NCB31CK-104X	C CAPACITOR	0.1uF 16V K	
					C308	NCB31CK-104X	C CAPACITOR	0.1uF 16V K	
					C309	NCB31CK-104X	C CAPACITOR	0.1uF 16V K	
					C310	NCB31HK-103X	C CAPACITOR	0.01uF 50V K	
					C311	NCB31CK-104X	C CAPACITOR	0.1uF 16V K	
					C312	NCB21CK-105X	C CAPACITOR	1uF 16V K	
					C313	NCB31CK-104X	C CAPACITOR	0.1uF 16V K	
					C315	NCB31CK-104X	C CAPACITOR	0.1uF 16V K	
					C316	NCB31CK-105X	C CAPACITOR	1uF 16V K	
					C317	NCB31CK-104X	C CAPACITOR	0.1uF 16V K	
					C318	NCB31CK-104X	C CAPACITOR	0.1uF 16V K	
					C319	NCB31CK-104X	C CAPACITOR	0.1uF 16V K	
					C320	NCB31CK-104X	C CAPACITOR	0.1uF 16V K	
					C321	NCB31CK-104X	C CAPACITOR	0.1uF 16V K	
					C322	NCB31CK-104X	C CAPACITOR	0.1uF 16V K	

Front end board(Except DVH426)

Block No. [1][1]

△ Symbol No.	Part No.	Part Name	Description	Local
IC201	BA5835FM-X	IC		
IC251	BD6671FM-X	IC		
△ IC301	MN2DS0009AA	IC		
IC302	BA00HC5WF-X	IC		
IC398	SG32A90TFIR34H	IC(PROGRAMMED)		
IC399	K4S281632I-UC75	IC (DIGITAL)		
IC399 or	EDS1216AGTA-75	IC(DIGITAL)		
IC401	AK4385ET-X	IC		
IC411	NJM4580V-X	IC		
IC481	BR24L16F-W-X	IC(DIGITAL)		
Q101	2SB1424/R/-W	TRANSISTOR		

△ Symbol No.	Part No.	Part Name	Description	Local	△ Symbol No.	Part No.	Part Name	Description	Local
C323	NCB31CK-104X	C CAPACITOR	0.1uF 16V K		R120	NRSA63J-0R0X	MG RESISTOR	0Ω 1/16W J	
C324	NCB21CK-105X	C CAPACITOR	1uF 16V K		R122	NRSA63J-0R0X	MG RESISTOR	0Ω 1/16W J	
C325	NDC31HJ-120X	C CAPACITOR	12pF 50V J		R123	NRSA63J-0R0X	MG RESISTOR	0Ω 1/16W J	
C326	NDC31HJ-120X	C CAPACITOR	12pF 50V J		R125	NRS125J-1R0X	MG RESISTOR	1Ω 1/2W J	
C330	NCB31CK-104X	C CAPACITOR	0.1uF 16V K		R126	NRSA02J-0R0X	MG RESISTOR	1Ω 1/10W J	
C331	NCB31CK-333X	C CAPACITOR	0.033uF 16V K		R127	NRSA63J-103X	MG RESISTOR	10kΩ 1/16W J	
C332	NCB31CK-104X	C CAPACITOR	0.1uF 16V K		R128	NRSA63J-103X	MG RESISTOR	10kΩ 1/16W J	
C333	NCB31CK-104X	C CAPACITOR	0.1uF 16V K		R129	NRSA63J-104X	MG RESISTOR	100kΩ 1/16W J	
C335	NCB31CK-104X	C CAPACITOR	0.1uF 16V K		R201	NRS125J-1R0X	MG RESISTOR	1Ω 1/2W J	
C336	NCB31CK-104X	C CAPACITOR	0.1uF 16V K		R202	NRSA63J-473X	MG RESISTOR	47kΩ 1/16W J	
C337	NCB31HK-183X	C CAPACITOR	0.018uF 50V K		R203	NRSA63J-303X	MG RESISTOR	30kΩ 1/16W J	
C338	NCB31HK-562X	C CAPACITOR	5600pF 50V K		R204	NRSA63J-273X	MG RESISTOR	27kΩ 1/16W J	
C339	NCB31CK-104X	C CAPACITOR	0.1uF 16V K		R205	NRSA63J-273X	MG RESISTOR	27kΩ 1/16W J	
C340	NCB21CK-105X	C CAPACITOR	1uF 16V K		R206	NRSA63J-0R0X	MG RESISTOR	0Ω 1/16W J	
C341	NCB21CK-105X	C CAPACITOR	1uF 16V K		R207	NRSA63J-0R0X	MG RESISTOR	0Ω 1/16W J	
C347	NCB31CK-104X	C CAPACITOR	0.1uF 16V K		R208	NRSA63J-203X	MG RESISTOR	20kΩ 1/16W J	
C348	NCB31CK-104X	C CAPACITOR	0.1uF 16V K		R209	NRSA63J-223X	MG RESISTOR	22kΩ 1/16W J	
C349	NCB31CK-104X	C CAPACITOR	0.1uF 16V K		R211	NRSA63J-0R0X	MG RESISTOR	0Ω 1/16W J	
C350	NCB31CK-104X	C CAPACITOR	0.1uF 16V K		R219	NRSA63J-153X	MG RESISTOR	15kΩ 1/16W J	
C358	NDC31HJ-5R0X	C CAPACITOR	5pF 50V J		R220	NRSA63J-183X	MG RESISTOR	18kΩ 1/16W J	
C359	NDC31HJ-5R0X	C CAPACITOR	5pF 50V J		R221	NRSA63J-103X	MG RESISTOR	10kΩ 1/16W J	
C364	NBE40JM-476X	TA E CAPACITOR	47uF 6.3V M		R222	NRSA63J-103X	MG RESISTOR	10kΩ 1/16W J	
C365	NCB31CK-104X	C CAPACITOR	0.1uF 16V K		R223	NRSA63J-0R0X	MG RESISTOR	0Ω 1/16W J	
C366	NCB21CK-105X	C CAPACITOR	1uF 16V K		R224	NRSA63J-103X	MG RESISTOR	10kΩ 1/16W J	
C369	NBE40JM-476X	TA E CAPACITOR	47uF 6.3V M		R231	NRSA63J-272X	MG RESISTOR	2.7kΩ 1/16W J	
C371	NCB21CK-105X	C CAPACITOR	1uF 16V K		R232	NRSA63J-153X	MG RESISTOR	15kΩ 1/16W J	
C380	NCB31CK-104X	C CAPACITOR	0.1uF 16V K		R233	NRSA63J-0R0X	MG RESISTOR	0Ω 1/16W J	
C381	NCB31CK-104X	C CAPACITOR	0.1uF 16V K		R234	NRSA63J-394X	MG RESISTOR	390kΩ 1/16W J	
C382	NCB31CK-104X	C CAPACITOR	0.1uF 16V K		R235	NRSA63J-682X	MG RESISTOR	6.8kΩ 1/16W J	
C383	NCB31CK-104X	C CAPACITOR	0.1uF 16V K		R251	NRS125J-R47X	MG RESISTOR	0.47Ω 1/2W J	
C391	NCB31CK-104X	C CAPACITOR	0.1uF 16V K		R252	NRSA63J-103X	MG RESISTOR	10kΩ 1/16W J	
C392	NCB31CK-104X	C CAPACITOR	0.1uF 16V K		R253	NRSA63J-0R0X	MG RESISTOR	0Ω 1/16W J	
C393	NCB31CK-104X	C CAPACITOR	0.1uF 16V K		R254	NRSA63J-103X	MG RESISTOR	10kΩ 1/16W J	
C394	NCB31CK-104X	C CAPACITOR	0.1uF 16V K		R255	NRSA63J-203X	MG RESISTOR	20kΩ 1/16W J	
C396	NCB31CK-104X	C CAPACITOR	0.1uF 16V K		R256	NRSA63J-470X	MG RESISTOR	47Ω 1/16W J	
C397	NBE20JM-226X	TA E CAPACITOR	22uF 6.3V M		R257	NRSA63J-0R0X	MG RESISTOR	0Ω 1/16W J	
C401	NCB31CK-104X	C CAPACITOR	0.1uF 16V K		R258	NRSA63J-103X	MG RESISTOR	10kΩ 1/16W J	
C402	NBE41AM-476X	TA E CAPACITOR	47uF 10V M		R259	NRSA63D-103X	MG RESISTOR	10kΩ 1/16W D	
C403	NCB31HK-331X	C CAPACITOR	330pF 50V K		R260	NRSA63J-470X	MG RESISTOR	47Ω 1/16W J	
C404	NCB31CK-473X	C CAPACITOR	0.047uF 16V K		R300	NRSA63J-0R0X	MG RESISTOR	0Ω 1/16W J	
C411	NCB31CK-104X	C CAPACITOR	0.1uF 16V K		R301	NRSA63J-0R0X	MG RESISTOR	0Ω 1/16W J	
C412	NBE41CM-336X	TA E CAPACITOR	33uF 16V M		R303	NRSA63J-270X	MG RESISTOR	27Ω 1/16W J	
C421	NCB31CK-104X	C CAPACITOR	0.1uF 16V K		R304	NRSA63J-103X	MG RESISTOR	10kΩ 1/16W J	
C422	NBE41AM-476X	TA E CAPACITOR	47uF 10V M		R306	NRSA63J-102X	MG RESISTOR	1kΩ 1/16W J	
C431	NCB31HK-332X	C CAPACITOR	3300pF 50V K		R307	NRSA63J-102X	MG RESISTOR	1kΩ 1/16W J	
C432	NCS31HJ-471X	C CAPACITOR	470pF 50V J		R308	NRSA63J-223X	MG RESISTOR	22kΩ 1/16W J	
C433	NCS31HJ-471X	C CAPACITOR	470pF 50V J		R309	NRSA63J-104X	MG RESISTOR	100kΩ 1/16W J	
C451	NCB31CK-104X	C CAPACITOR	0.1uF 16V K		R310	NRSA63J-102X	MG RESISTOR	1kΩ 1/16W J	
C452	NCB31CK-104X	C CAPACITOR	0.1uF 16V K		R312	NRSA63J-0R0X	MG RESISTOR	0Ω 1/16W J	
C453	NCB31CK-104X	C CAPACITOR	0.1uF 16V K		R313	NRSA63J-0R0X	MG RESISTOR	0Ω 1/16W J	
C454	NCB31CK-104X	C CAPACITOR	0.1uF 16V K		R314	NRSA63J-0R0X	MG RESISTOR	0Ω 1/16W J	
C481	NCB31CK-104X	C CAPACITOR	0.1uF 16V K		R315	NRSA63J-0R0X	MG RESISTOR	0Ω 1/16W J	
C491	NCB31CK-104X	C CAPACITOR	0.1uF 16V K		R316	NRSA63J-0R0X	MG RESISTOR	0Ω 1/16W J	
C521	NCB31CK-104X	C CAPACITOR	0.1uF 16V K		R317	NRSA63J-223X	MG RESISTOR	22kΩ 1/16W J	
C522	NBE41AM-476X	TA E CAPACITOR	47uF 10V M		R318	NRSA63D-332X	MG RESISTOR	3.3kΩ 1/16W D	
C531	NCB31HK-332X	C CAPACITOR	3300pF 50V K		R319	NRSA63J-223X	MG RESISTOR	22kΩ 1/16W J	
C532	NCS31HJ-471X	C CAPACITOR	470pF 50V J		R320	NRSA63J-101X	MG RESISTOR	100Ω 1/16W J	
C533	NCS31HJ-471X	C CAPACITOR	470pF 50V J		R323	NRSA63J-0R0X	MG RESISTOR	0Ω 1/16W J	
R101	NRSA63J-910X	MG RESISTOR	91Ω 1/16W J		R325	NRSA63J-181X	MG RESISTOR	180Ω 1/16W J	
R102	NRSA63J-910X	MG RESISTOR	91Ω 1/16W J		R332	NRSA63J-102X	MG RESISTOR	1kΩ 1/16W J	
R103	NRSA63D-432X	MG RESISTOR	4.3kΩ 1/16W D		R333	NRSA63D-162X	MG RESISTOR	1.6kΩ 1/16W D	
R104	NRSA63D-242X	MG RESISTOR	2.4kΩ 1/16W D		R334	NRSA63J-151X	MG RESISTOR	150Ω 1/16W J	
R105	NRS125J-120X	MG RESISTOR	12Ω 1/2W J		R335	NRSA63J-151X	MG RESISTOR	150Ω 1/16W J	
R106	NRSA63J-2R2X	MG RESISTOR	2.2Ω 1/16W J		R336	NRSA63J-151X	MG RESISTOR	150Ω 1/16W J	
R107	NRSA63J-102X	MG RESISTOR	1kΩ 1/16W J		R337	NRSA63J-151X	MG RESISTOR	150Ω 1/16W J	
R108	NRSA63J-471X	MG RESISTOR	470Ω 1/16W J		R338	NRSA63J-0R0X	MG RESISTOR	0Ω 1/16W J	
R109	NRSA63J-331X	MG RESISTOR	330Ω 1/16W J		R339	NRSA63J-0R0X	MG RESISTOR	0Ω 1/16W J	
R110	NRSA63J-0R0X	MG RESISTOR	0Ω 1/16W J		R340	NRSA63D-303X	MG RESISTOR	30kΩ 1/16W D	
R111	NRSA63D-432X	MG RESISTOR	4.3kΩ 1/16W D		R345	NRSA63J-0R0X	MG RESISTOR	0Ω 1/16W J	
R112	NRSA63D-242X	MG RESISTOR	2.4kΩ 1/16W D		R346	NRSA63J-473X	MG RESISTOR	47kΩ 1/16W J	
R113	NRS125J-120X	MG RESISTOR	12Ω 1/2W J		R347	NRSA63J-473X	MG RESISTOR	47kΩ 1/16W J	
R114	NRSA63J-2R2X	MG RESISTOR	2.2Ω 1/16W J		R348	NRSA63J-473X	MG RESISTOR	47kΩ 1/16W J	
R115	NRSA63J-102X	MG RESISTOR	1kΩ 1/16W J		R349	NRSA63J-473X	MG RESISTOR	47kΩ 1/16W J	
R116	NRSA63J-471X	MG RESISTOR	470Ω 1/16W J		R351	NRSA63J-151X	MG RESISTOR	150Ω 1/16W J	
R117	NRSA63J-331X	MG RESISTOR	330Ω 1/16W J		R352	NRSA63J-105X	MG RESISTOR	1MΩ 1/16W J	
R118	NRSA63J-0R0X	MG RESISTOR	0Ω 1/16W J		R353	NRSA63J-101X	MG RESISTOR	100Ω 1/16W J	
R119	NRSA63J-0R0X	MG RESISTOR	0Ω 1/16W J		R354	NRSA63J-101X	MG RESISTOR	100Ω 1/16W J	
					R357	NRSA63J-0R0X	MG RESISTOR	0Ω 1/16W J	

Symbol No.	Part No.	Part Name	Description	Local
R358	NRSA63J-0R0X	MG RESISTOR	0Ω 1/16W J	
R361	NRSA63J-0R0X	MG RESISTOR	0Ω 1/16W J	
R362	NRSA63J-0R0X	MG RESISTOR	0Ω 1/16W J	
R363	NRSA63J-151X	MG RESISTOR	150Ω 1/16W J	
R364	NRSA63J-151X	MG RESISTOR	150Ω 1/16W J	
R365	NRSA63D-911X	MG RESISTOR	910Ω 1/16W D	
R366	NRSA63D-202X	MG RESISTOR	2kΩ 1/16W D	
R370	NRSA63J-103X	MG RESISTOR	10kΩ 1/16W J	
R371	NRSA63J-0R0X	MG RESISTOR	0Ω 1/16W J	
R372	NRSA63J-331X	MG RESISTOR	330Ω 1/16W J	
R373	NRSA63J-331X	MG RESISTOR	330Ω 1/16W J	
R374	NRSA63J-0R0X	MG RESISTOR	0Ω 1/16W J	
R380	NRSA63J-102X	MG RESISTOR	1kΩ 1/16W J	
R384	NRSA63J-102X	MG RESISTOR	1kΩ 1/16W J	
R385	NRSA63J-102X	MG RESISTOR	1kΩ 1/16W J	
R386	NRSA63J-0R0X	MG RESISTOR	0Ω 1/16W J	
R390	NRSA63J-103X	MG RESISTOR	10kΩ 1/16W J	
R396	NRSA63J-473X	MG RESISTOR	47kΩ 1/16W J	
R399	NRSA63J-0R0X	MG RESISTOR	0Ω 1/16W J	
R401	NRSA63J-100X	MG RESISTOR	10Ω 1/16W J	
R402	NRSA63J-4R7X	MG RESISTOR	4.7Ω 1/16W J	
R403	NRSA63J-0R0X	MG RESISTOR	0Ω 1/16W J	
R404	NRSA63J-473X	MG RESISTOR	47kΩ 1/16W J	
R411	NRSA63J-100X	MG RESISTOR	10Ω 1/16W J	
R421	NRSA63J-102X	MG RESISTOR	1kΩ 1/16W J	
R422	NRSA63J-122X	MG RESISTOR	1.2kΩ 1/16W J	
R431	NRSA63J-472X	MG RESISTOR	4.7kΩ 1/16W J	
R432	NRSA63J-472X	MG RESISTOR	4.7kΩ 1/16W J	
R433	NRSA63J-223X	MG RESISTOR	22kΩ 1/16W J	
R434	NRSA63J-201X	MG RESISTOR	200Ω 1/16W J	
R435	NRSA63J-472X	MG RESISTOR	4.7kΩ 1/16W J	
R436	NRSA63J-201X	MG RESISTOR	200Ω 1/16W J	
R437	NRSA63J-472X	MG RESISTOR	4.7kΩ 1/16W J	
R438	NRSA63J-223X	MG RESISTOR	22kΩ 1/16W J	
R441	NRSA63J-0R0X	MG RESISTOR	0Ω 1/16W J	
R442	NRSA63J-0R0X	MG RESISTOR	0Ω 1/16W J	
R481	NRSA63J-103X	MG RESISTOR	10kΩ 1/16W J	
R491	NRSA63D-472X	MG RESISTOR	4.7kΩ 1/16W D	
R492	NRSA63J-0R0X	MG RESISTOR	0Ω 1/16W J	
R521	NRSA63J-102X	MG RESISTOR	1kΩ 1/16W J	
R522	NRSA63J-122X	MG RESISTOR	1.2kΩ 1/16W J	
R531	NRSA63J-472X	MG RESISTOR	4.7kΩ 1/16W J	
R532	NRSA63J-472X	MG RESISTOR	4.7kΩ 1/16W J	
R533	NRSA63J-223X	MG RESISTOR	22kΩ 1/16W J	
R534	NRSA63J-201X	MG RESISTOR	200Ω 1/16W J	
R535	NRSA63J-472X	MG RESISTOR	4.7kΩ 1/16W J	
R536	NRSA63J-201X	MG RESISTOR	200Ω 1/16W J	
R537	NRSA63J-472X	MG RESISTOR	4.7kΩ 1/16W J	
R538	NRSA63J-223X	MG RESISTOR	22kΩ 1/16W J	
R621	NQL093K-1R8X	COIL	1.8uH K	
L303	NQL044K-100X	COIL	0.26Ω 10uH K	
L305	NQL093K-1R8X	COIL	1.8uH K	
L306	NQL093K-1R8X	COIL	1.8uH K	
L307	NQL093K-1R8X	COIL	1.8uH K	
L451	NQL044K-100X	COIL	0.26Ω 10uH K	
CN101	QGF0501F8-30X	CONNECTOR	FFC/FPC (1-30)	
CN201	QGF1038F2-11X	CONNECTOR	FFC/FPC (1-11)	
CN202	QGF0523F2-05W	CONNECTOR	FFC/FPC (1-5)	
CN402	QGF0522F3-06W	CONNECTOR	FFC/FPC (1-6)	
CN403	QGF0534F3-45X	CONNECTOR	FFC/FPC (1-45)	
K101	NQR0007-002X	FERRITE BEADS		
K102	NQR0007-002X	FERRITE BEADS		
K301	NQR0502-001X	FERRITE BEADS		
K311	NQR0129-002X	FERRITE BEADS		
K399	NQR0502-001X	FERRITE BEADS		
K401	NQR0022-005X	FERRITE BEADS		
K402	NQR0022-005X	FERRITE BEADS		
K404	NQR0022-005X	FERRITE BEADS		
K405	NQR0022-005X	FERRITE BEADS		
K406	NQR0022-005X	FERRITE BEADS		
K407	NQR0022-005X	FERRITE BEADS		
K425	NQL093K-1R8X	COIL	1.8uH K	
K435	NQR0022-005X	FERRITE BEADS		
K441	NQR0022-005X	FERRITE BEADS		
K442	NQR0022-005X	FERRITE BEADS		
K443	NQR0022-005X	FERRITE BEADS		

Symbol No.	Part No.	Part Name	Description	Local
K444	NQR0022-005X	FERRITE BEADS		
K445	NQR0022-005X	FERRITE BEADS		
K451	NQR0022-005X	FERRITE BEADS		
K452	NQR0022-005X	FERRITE BEADS		
K601	NQR0022-005X	FERRITE BEADS		
SW4	NSW0184-001X	DETECT SW		
SW5	NSW0183-001X	DETECT SW		
TH491	NAD0025-103X	N THERMISTOR	10kΩ	
X351	NAX0741-001X	CRYSTAL	27.000MHZ	

Front end board(Only DVH426)

Block No. [1][2]

Symbol No.	Part No.	Part Name	Description	Local
IC201	BA5835FM-X	IC		
IC251	BD6671FM-X	IC		
IC301	MN2DS0003AA-H	IC		
IC302	BA00HC5WF-X	IC		
IC304	S-80827CNNB-G-W	IC		
IC398	SG32A90TFIR32C	IC(PROGRAMED)		
IC399	K4S281632F-UC75	IC(DIGITAL)		
IC399	or EDS1216AATA-75	IC(DIGITAL)		
IC401	AK4385ET-X	IC		
IC411	NJM4580V-X	IC		
IC481	BR93L66F-W-X	IC(DIGITAL)		
Q101	2SB1424/R/-W	TRANSISTOR		
Q102	2SC4617/R/-X	TRANSISTOR		
Q103	2SB1424/R/-W	TRANSISTOR		
Q104	2SC4617/R/-X	TRANSISTOR		
Q105	2SK3019-X	MOS FET		
Q106	2SK3019-X	MOS FET		
Q107	2SC4617/R/-X	TRANSISTOR		
Q231	DTC114EE-X	DIGI TRANSISTOR		
Q301	DTC144EE-X	DIGI TRANSISTOR		
Q302	DTC144EE-X	DIGI TRANSISTOR		
C1	NCB31CK-104X	C CAPACITOR	0.1uF 16V K	
C2	NCB31CK-104X	C CAPACITOR	0.1uF 16V K	
C3	NCB31CK-104X	C CAPACITOR	0.1uF 16V K	
C4	NCB31CK-104X	C CAPACITOR	0.1uF 16V K	
C5	NCB31CK-104X	C CAPACITOR	0.1uF 16V K	
C6	NCB31CK-104X	C CAPACITOR	0.1uF 16V K	
C7	NCB31CK-104X	C CAPACITOR	0.1uF 16V K	
C8	NCB31CK-104X	C CAPACITOR	0.1uF 16V K	
C9	NCB31CK-104X	C CAPACITOR	0.1uF 16V K	
C10	NCB31CK-104X	C CAPACITOR	0.1uF 16V K	
C11	NCB31CK-104X	C CAPACITOR	0.1uF 16V K	
C12	NCB31CK-104X	C CAPACITOR	0.1uF 16V K	
C13	NCB31CK-104X	C CAPACITOR	0.1uF 16V K	
C14	NCB31CK-104X	C CAPACITOR	0.1uF 16V K	
C15	NCB31CK-104X	C CAPACITOR	0.1uF 16V K	
C16	NCB31CK-104X	C CAPACITOR	0.1uF 16V K	
C17	NCB31CK-104X	C CAPACITOR	0.1uF 16V K	
C18	NCB31CK-104X	C CAPACITOR	0.1uF 16V K	
C19	NCB31CK-104X	C CAPACITOR	0.1uF 16V K	
C20	NCB31CK-104X	C CAPACITOR	0.1uF 16V K	
C21	NCB31CK-104X	C CAPACITOR	0.1uF 16V K	
C102	NCB31CK-104X	C CAPACITOR	0.1uF 16V K	
C103	NCB31CK-104X	C CAPACITOR	0.1uF 16V K	
C104	NCB31CK-104X	C CAPACITOR	0.1uF 16V K	
C105	NBE41AM-476X	TA E CAPACITOR	47uF 10V M	
C106	NBE41AM-476X	TA E CAPACITOR	47uF 10V M	
C108	NBE41AM-476X	TA E CAPACITOR	47uF 10V M	
C111	NCB31CK-104X	C CAPACITOR	0.1uF 16V K	
C112	NCB31CK-104X	C CAPACITOR	0.1uF 16V K	
C113	NCB31CK-104X	C CAPACITOR	0.1uF 16V K	
C201	NEAF1CM-107X	E CAPACITOR	100uF 16V M	
C202	NCB31CK-104X	C CAPACITOR	0.1uF 16V K	
C203	NCS31HJ-271X	C CAPACITOR	270pF 50V J	
C204	NDC31HJ-151X	C CAPACITOR	150pF 50V J	
C205	NCB31HK-681X	C CAPACITOR	680pF 50V K	
C206	NCB31HK-561X	C CAPACITOR	560pF 50V K	

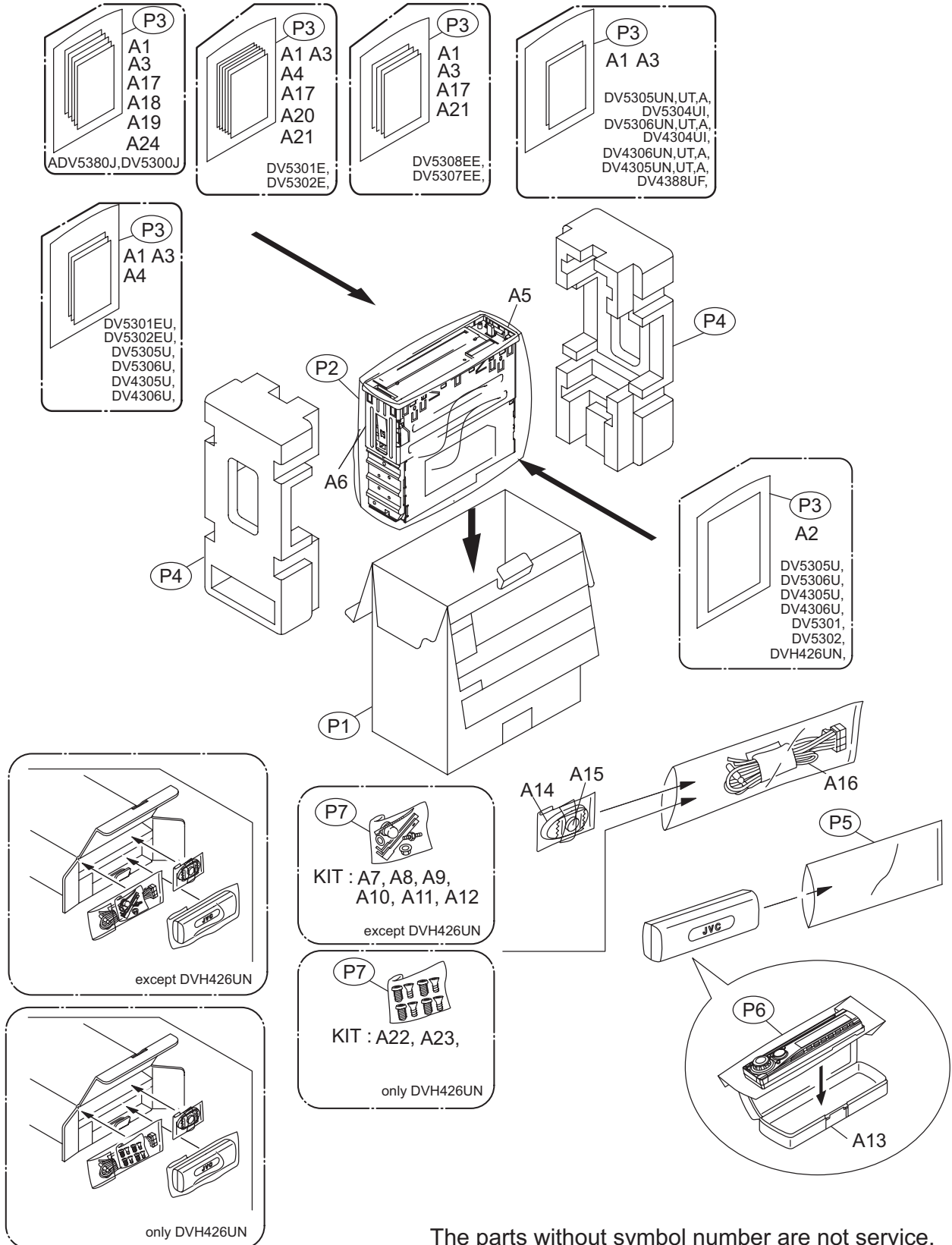
△ Symbol No.	Part No.	Part Name	Description	Local	△ Symbol No.	Part No.	Part Name	Description	Local
C211	NEAF1CM-107X	E CAPACITOR	100uF 16V M		C403	NCB31HK-331X	C CAPACITOR	330pF 50V K	
C212	NCB31CK-104X	C CAPACITOR	0.1uF 16V K		C404	NCB31CK-473X	C CAPACITOR	0.047uF 16V K	
C213	NCB31CK-104X	C CAPACITOR	0.1uF 16V K		C411	NCB31CK-104X	C CAPACITOR	0.1uF 16V K	
C221	NCB31HK-223X	C CAPACITOR	0.022uF 50V K		C412	NBE41AM-476X	TA E CAPACITOR	47uF 10V M	
C222	NCB31HK-103X	C CAPACITOR	0.01uF 50V K		C421	NCB31CK-104X	C CAPACITOR	0.1uF 16V K	
C251	NCB31CK-104X	C CAPACITOR	0.1uF 16V K		C422	NBE41AM-476X	TA E CAPACITOR	47uF 10V M	
C252	NEAF1CM-107X	E CAPACITOR	100uF 16V M		C431	NCB31HK-332X	C CAPACITOR	3300pF 50V K	
C253	NCB31CK-104X	C CAPACITOR	0.1uF 16V K		C432	NCS31HJ-471X	C CAPACITOR	470pF 50V J	
C254	NBE21AM-106X	TA E CAPACITOR	10uF 10V M		C433	NCS31HJ-471X	C CAPACITOR	470pF 50V J	
C255	NCB31CK-104X	C CAPACITOR	0.1uF 16V K		C451	NCB31CK-104X	C CAPACITOR	0.1uF 16V K	
C256	NCB31CK-473X	C CAPACITOR	0.047uF 16V K		C452	NCB31CK-104X	C CAPACITOR	0.1uF 16V K	
C257	NCB31HK-102X	C CAPACITOR	1000pF 50V K		C453	NCB31CK-104X	C CAPACITOR	0.1uF 16V K	
C258	NCB31HK-102X	C CAPACITOR	1000pF 50V K		C454	NCB31CK-104X	C CAPACITOR	0.1uF 16V K	
C259	NCB31HK-102X	C CAPACITOR	1000pF 50V K		C481	NCB31CK-104X	C CAPACITOR	0.1uF 16V K	
C264	NCB31HK-103X	C CAPACITOR	0.01uF 50V K		C491	NCB31CK-104X	C CAPACITOR	0.1uF 16V K	
C265	NCB31CK-104X	C CAPACITOR	0.1uF 16V K		C492	NCB31CK-104X	C CAPACITOR	0.1uF 16V K	
C266	NCB31CK-104X	C CAPACITOR	0.1uF 16V K		C521	NCB31CK-104X	C CAPACITOR	0.1uF 16V K	
C267	NCB31HK-103X	C CAPACITOR	0.01uF 50V K		C522	NBE41AM-476X	TA E CAPACITOR	47uF 10V M	
C268	NCB31HK-153X	C CAPACITOR	0.015uF 50V K		C531	NCB31HK-332X	C CAPACITOR	3300pF 50V K	
C301	NEAF0JM-227X	E CAPACITOR	220uF 6.3V M		C532	NCS31HJ-471X	C CAPACITOR	470pF 50V J	
C302	NBE40JM-476X	TA E CAPACITOR	47uF 6.3V M		C533	NCS31HJ-471X	C CAPACITOR	470pF 50V J	
C305	NCB31CK-104X	C CAPACITOR	0.1uF 16V K		R101	NRSA63J-0R0X	MG RESISTOR	0Ω 1/16W J	
C307	NCB31CK-104X	C CAPACITOR	0.1uF 16V K		R103	NRSA63D-242X	MG RESISTOR	2.4kΩ 1/16W D	
C308	NCB31CK-104X	C CAPACITOR	0.1uF 16V K		R104	NRSA63D-302X	MG RESISTOR	3kΩ 1/16W D	
C309	NCB31CK-104X	C CAPACITOR	0.1uF 16V K		R105	NRS125J-120X	MG RESISTOR	12Ω 1/2W J	
C310	NCB31HK-102X	C CAPACITOR	1000pF 50V K		R106	NRSA63J-2R2X	MG RESISTOR	2.2Ω 1/16W J	
C311	NCB31CK-104X	C CAPACITOR	0.1uF 16V K		R107	NRSA63J-102X	MG RESISTOR	1kΩ 1/16W J	
C312	NCB21CK-105X	C CAPACITOR	1uF 16V K		R108	NRSA63J-471X	MG RESISTOR	470Ω 1/16W J	
C313	NCB31CK-104X	C CAPACITOR	0.1uF 16V K		R109	NRSA63J-331X	MG RESISTOR	330Ω 1/16W J	
C314	NCB31CK-104X	C CAPACITOR	0.1uF 16V K		R110	NRSA63J-0R0X	MG RESISTOR	0Ω 1/16W J	
C315	NCB31CK-104X	C CAPACITOR	0.1uF 16V K		R111	NRSA63D-242X	MG RESISTOR	2.4kΩ 1/16W D	
C316	NCB31CK-104X	C CAPACITOR	0.1uF 16V K		R112	NRSA63D-302X	MG RESISTOR	3kΩ 1/16W D	
C317	NCB31CK-104X	C CAPACITOR	0.1uF 16V K		R113	NRS125J-120X	MG RESISTOR	12Ω 1/2W J	
C318	NCB31CK-104X	C CAPACITOR	0.1uF 16V K		R114	NRSA63J-2R2X	MG RESISTOR	2.2Ω 1/16W J	
C319	NCB31CK-104X	C CAPACITOR	0.1uF 16V K		R115	NRSA63J-102X	MG RESISTOR	1kΩ 1/16W J	
C320	NCB31CK-104X	C CAPACITOR	0.1uF 16V K		R116	NRSA63J-471X	MG RESISTOR	470Ω 1/16W J	
C321	NCB31CK-104X	C CAPACITOR	0.1uF 16V K		R117	NRSA63J-331X	MG RESISTOR	330Ω 1/16W J	
C322	NCB31CK-104X	C CAPACITOR	0.1uF 16V K		R118	NRSA63J-0R0X	MG RESISTOR	0Ω 1/16W J	
C323	NCB31CK-104X	C CAPACITOR	0.1uF 16V K		R119	NRSA63J-0R0X	MG RESISTOR	0Ω 1/16W J	
C324	NCB21CK-105X	C CAPACITOR	1uF 16V K		R120	NRSA63J-0R0X	MG RESISTOR	0Ω 1/16W J	
C325	NDC31HJ-100X	C CAPACITOR	10pF 50V J		R122	NRSA63J-0R0X	MG RESISTOR	0Ω 1/16W J	
C326	NDC31HJ-100X	C CAPACITOR	10pF 50V J		R123	NRSA63J-0R0X	MG RESISTOR	0Ω 1/16W J	
C330	NCB31CK-104X	C CAPACITOR	0.1uF 16V K		R125	NRS125J-1R0X	MG RESISTOR	1Ω 1/2W J	
C331	NCB31CK-333X	C CAPACITOR	0.033uF 16V K		R126	NRSA63J-910X	MG RESISTOR	91Ω 1/16W J	
C332	NCB31CK-104X	C CAPACITOR	0.1uF 16V K		R127	NRSA63J-910X	MG RESISTOR	91Ω 1/16W J	
C333	NCB31CK-104X	C CAPACITOR	0.1uF 16V K		R128	NRSA63J-103X	MG RESISTOR	10kΩ 1/16W J	
C334	NCB31CK-104X	C CAPACITOR	0.1uF 16V K		R129	NRSA63J-104X	MG RESISTOR	100kΩ 1/16W J	
C335	NCB31CK-104X	C CAPACITOR	0.1uF 16V K		R130	NRSA63J-103X	MG RESISTOR	10kΩ 1/16W J	
C336	NCB31CK-104X	C CAPACITOR	0.1uF 16V K		R201	NRS125J-1R0X	MG RESISTOR	1Ω 1/2W J	
C337	NCB31HK-183X	C CAPACITOR	0.018uF 50V K		R202	NRSA63J-473X	MG RESISTOR	47kΩ 1/16W J	
C338	NCB31HK-562X	C CAPACITOR	5600pF 50V K		R203	NRSA63J-303X	MG RESISTOR	30kΩ 1/16W J	
C339	NCB31CK-104X	C CAPACITOR	0.1uF 16V K		R204	NRSA63J-273X	MG RESISTOR	27kΩ 1/16W J	
C340	NCB21CK-105X	C CAPACITOR	1uF 16V K		R205	NRSA63J-273X	MG RESISTOR	27kΩ 1/16W J	
C341	NCB21CK-105X	C CAPACITOR	1uF 16V K		R206	NRSA63J-0R0X	MG RESISTOR	0Ω 1/16W J	
C347	NCB31CK-104X	C CAPACITOR	0.1uF 16V K		R207	NRSA63J-0R0X	MG RESISTOR	0Ω 1/16W J	
C348	NCB31CK-104X	C CAPACITOR	0.1uF 16V K		R208	NRSA63J-203X	MG RESISTOR	20kΩ 1/16W J	
C349	NCB31CK-104X	C CAPACITOR	0.1uF 16V K		R209	NRSA63J-223X	MG RESISTOR	22kΩ 1/16W J	
C350	NCB31CK-104X	C CAPACITOR	0.1uF 16V K		R211	NRSA63J-0R0X	MG RESISTOR	0Ω 1/16W J	
C356	NCB21CK-105X	C CAPACITOR	1uF 16V K		R219	NRSA63J-153X	MG RESISTOR	15kΩ 1/16W J	
C358	NDC31HJ-5R0X	C CAPACITOR	5pF 50V J		R220	NRSA63J-183X	MG RESISTOR	18kΩ 1/16W J	
C359	NDC31HJ-5R0X	C CAPACITOR	5pF 50V J		R221	NRSA63J-103X	MG RESISTOR	10kΩ 1/16W J	
C364	NBE40JM-476X	TA E CAPACITOR	47uF 6.3V M		R222	NRSA63J-103X	MG RESISTOR	10kΩ 1/16W J	
C365	NCB31CK-104X	C CAPACITOR	0.1uF 16V K		R223	NRSA63J-0R0X	MG RESISTOR	0Ω 1/16W J	
C366	NCB21CK-105X	C CAPACITOR	1uF 16V K		R224	NRSA63J-103X	MG RESISTOR	10kΩ 1/16W J	
C369	NBE40JM-476X	TA E CAPACITOR	47uF 6.3V M		R231	NRSA63J-272X	MG RESISTOR	2.7kΩ 1/16W J	
C371	NCB21CK-105X	C CAPACITOR	1uF 16V K		R232	NRSA63J-153X	MG RESISTOR	15kΩ 1/16W J	
C380	NCB31CK-104X	C CAPACITOR	0.1uF 16V K		R233	NRSA63J-0R0X	MG RESISTOR	0Ω 1/16W J	
C384	NCB31CK-104X	C CAPACITOR	0.1uF 16V K		R234	NRSA63J-394X	MG RESISTOR	390kΩ 1/16W J	
C391	NCB31CK-104X	C CAPACITOR	0.1uF 16V K		R235	NRSA63J-682X	MG RESISTOR	6.8kΩ 1/16W J	
C392	NCB31CK-104X	C CAPACITOR	0.1uF 16V K		R251	NRS125J-R47X	MG RESISTOR	0.47Ω 1/2W J	
C393	NCB31CK-104X	C CAPACITOR	0.1uF 16V K		R252	NRSA63J-103X	MG RESISTOR	10kΩ 1/16W J	
C395	NCB31CK-104X	C CAPACITOR	0.1uF 16V K		R253	NRSA63J-0R0X	MG RESISTOR	0Ω 1/16W J	
C396	NCB31CK-104X	C CAPACITOR	0.1uF 16V K		R254	NRSA63J-103X	MG RESISTOR	10kΩ 1/16W J	
C397	NBE20JM-226X	TA E CAPACITOR	22uF 6.3V M		R255	NRSA63J-203X	MG RESISTOR	20kΩ 1/16W J	
C398	NCB31CK-104X	C CAPACITOR	0.1uF 16V K		R256	NRSA63J-470X	MG RESISTOR	47Ω 1/16W J	
C399	NCB31CK-104X	C CAPACITOR	0.1uF 16V K		R257	NRSA63J-0R0X	MG RESISTOR	0Ω 1/16W J	
C401	NCB31CK-104X	C CAPACITOR	0.1uF 16V K		R258	NRSA63J-103X	MG RESISTOR	10kΩ 1/16W J	
C402	NBE41AM-476X	TA E CAPACITOR	47uF 10V M						

△ Symbol No.	Part No.	Part Name	Description	Local	△ Symbol No.	Part No.	Part Name	Description	Local
R259	NRSA63J-103X	MG RESISTOR	10kΩ 1/16W J		R432	NRSA63J-472X	MG RESISTOR	4.7kΩ 1/16W J	
R260	NRSA63J-470X	MG RESISTOR	47Ω 1/16W J		R433	NRSA63J-223X	MG RESISTOR	22kΩ 1/16W J	
R300	NRSA63J-0R0X	MG RESISTOR	0Ω 1/16W J		R434	NRSA63J-201X	MG RESISTOR	200Ω 1/16W J	
R301	NRSA63J-0R0X	MG RESISTOR	0Ω 1/16W J		R435	NRSA63J-472X	MG RESISTOR	4.7kΩ 1/16W J	
R303	NRSA63J-270X	MG RESISTOR	27Ω 1/16W J		R436	NRSA63J-201X	MG RESISTOR	200Ω 1/16W J	
R306	NRSA63J-102X	MG RESISTOR	1kΩ 1/16W J		R437	NRSA63J-472X	MG RESISTOR	4.7kΩ 1/16W J	
R307	NRSA63J-102X	MG RESISTOR	1kΩ 1/16W J		R438	NRSA63J-223X	MG RESISTOR	22kΩ 1/16W J	
R308	NRSA63J-223X	MG RESISTOR	22kΩ 1/16W J		R441	NRSA63J-0R0X	MG RESISTOR	0Ω 1/16W J	
R309	NRSA63J-104X	MG RESISTOR	100kΩ 1/16W J		R442	NRSA63J-0R0X	MG RESISTOR	0Ω 1/16W J	
R310	NRSA63J-102X	MG RESISTOR	1kΩ 1/16W J		R481	NRSA63J-103X	MG RESISTOR	10kΩ 1/16W J	
R312	NRSA63J-0R0X	MG RESISTOR	0Ω 1/16W J		R491	NRSA63D-103X	MG RESISTOR	10kΩ 1/16W D	
R313	NRSA63J-0R0X	MG RESISTOR	0Ω 1/16W J		R492	NRSA63D-512X	MG RESISTOR	5.1kΩ 1/16W D	
R314	NRSA63J-0R0X	MG RESISTOR	0Ω 1/16W J		R493	NRSA63D-223X	MG RESISTOR	22kΩ 1/16W D	
R315	NRSA63J-0R0X	MG RESISTOR	0Ω 1/16W J		R521	NRSA63J-102X	MG RESISTOR	1kΩ 1/16W J	
R316	NRSA63J-0R0X	MG RESISTOR	0Ω 1/16W J		R522	NRSA63J-122X	MG RESISTOR	1.2kΩ 1/16W J	
R317	NRSA63J-223X	MG RESISTOR	22kΩ 1/16W J		R531	NRSA63J-472X	MG RESISTOR	4.7kΩ 1/16W J	
R318	NRSA63D-332X	MG RESISTOR	3.3kΩ 1/16W D		R532	NRSA63J-472X	MG RESISTOR	4.7kΩ 1/16W J	
R319	NRSA63J-223X	MG RESISTOR	22kΩ 1/16W J		R533	NRSA63J-223X	MG RESISTOR	22kΩ 1/16W J	
R321	NRSA63J-0R0X	MG RESISTOR	0Ω 1/16W J		R534	NRSA63J-201X	MG RESISTOR	200Ω 1/16W J	
R322	NRSA63J-0R0X	MG RESISTOR	0Ω 1/16W J		R535	NRSA63J-472X	MG RESISTOR	4.7kΩ 1/16W J	
R323	NRSA63J-0R0X	MG RESISTOR	0Ω 1/16W J		R536	NRSA63J-201X	MG RESISTOR	200Ω 1/16W J	
R325	NRSA63J-181X	MG RESISTOR	180Ω 1/16W J		R537	NRSA63J-472X	MG RESISTOR	4.7kΩ 1/16W J	
R326	NRSA63J-101X	MG RESISTOR	100Ω 1/16W J		R538	NRSA63J-223X	MG RESISTOR	22kΩ 1/16W J	
R327	NRSA63J-101X	MG RESISTOR	100Ω 1/16W J		R605	NRSA63J-0R0X	MG RESISTOR	0Ω 1/16W J	
R328	NRSA63J-101X	MG RESISTOR	100Ω 1/16W J		R606	NRSA63J-0R0X	MG RESISTOR	0Ω 1/16W J	
R329	NRSA63J-101X	MG RESISTOR	100Ω 1/16W J		L303	NQL044K-100X	COIL	0.26Ω 10uH K	
R332	NRSA63J-102X	MG RESISTOR	1kΩ 1/16W J		L305	NQL093K-1R8X	COIL	1.8uH K	
R333	NRSA63D-162X	MG RESISTOR	1.6kΩ 1/16W D		L306	NQL093K-1R8X	COIL	1.8uH K	
R334	NRSA63J-151X	MG RESISTOR	150Ω 1/16W J		L307	NQL093K-1R8X	COIL	1.8uH K	
R335	NRSA63J-151X	MG RESISTOR	150Ω 1/16W J		L451	NQL044K-100X	COIL	0.26Ω 10uH K	
R336	NRSA63J-151X	MG RESISTOR	150Ω 1/16W J		CN101	QGF0501F8-30X	CONNECTOR	FFC/FPC (1-30)	
R337	NRSA63J-151X	MG RESISTOR	150Ω 1/16W J		CN201	QGF1038F2-11X	CONNECTOR	FFC/FPC (1-11)	
R338	NRSA63J-0R0X	MG RESISTOR	0Ω 1/16W J		CN202	QGF0523F2-05W	CONNECTOR	FFC/FPC (1-5)	
R339	NRSA63J-0R0X	MG RESISTOR	0Ω 1/16W J		CN402	QGF0522F3-06W	CONNECTOR	FFC/FPC (1-6)	
R340	NRSA63D-303X	MG RESISTOR	30kΩ 1/16W D		CN403	QGF0534F3-45X	CONNECTOR	FFC/FPC (1-45)	
R345	NRSA63J-0R0X	MG RESISTOR	0Ω 1/16W J		K101	NQR0007-002X	FERRITE BEADS		
R346	NRSA63J-473X	MG RESISTOR	47kΩ 1/16W J		K102	NQR0007-002X	FERRITE BEADS		
R347	NRSA63J-473X	MG RESISTOR	47kΩ 1/16W J		K301	NQR0502-001X	FERRITE BEADS		
R348	NRSA63J-473X	MG RESISTOR	47kΩ 1/16W J		K311	NQR0129-002X	FERRITE BEADS		
R349	NRSA63J-473X	MG RESISTOR	47kΩ 1/16W J		K399	NQR0502-001X	FERRITE BEADS		
R350	NRSA63J-181X	MG RESISTOR	180Ω 1/16W J		K401	NQR0022-005X	FERRITE BEADS		
R351	NRSA63J-102X	MG RESISTOR	1kΩ 1/16W J		K402	NQR0022-005X	FERRITE BEADS		
R352	NRSA63J-105X	MG RESISTOR	1MΩ 1/16W J		K403	NQR0022-005X	FERRITE BEADS		
R353	NRSA63J-101X	MG RESISTOR	100Ω 1/16W J		K404	NQR0022-005X	FERRITE BEADS		
R354	NRSA63J-101X	MG RESISTOR	100Ω 1/16W J		K405	NQR0022-005X	FERRITE BEADS		
R355	NRSA63J-0R0X	MG RESISTOR	0Ω 1/16W J		K406	NQR0022-005X	FERRITE BEADS		
R356	NRSA63J-0R0X	MG RESISTOR	0Ω 1/16W J		K407	NQR0022-005X	FERRITE BEADS		
R357	NRSA63J-0R0X	MG RESISTOR	0Ω 1/16W J		K425	NQL093K-1R8X	COIL	1.8uH K	
R358	NRSA63J-0R0X	MG RESISTOR	0Ω 1/16W J		K441	NQR0022-005X	FERRITE BEADS		
R359	NRSA63J-181X	MG RESISTOR	180Ω 1/16W J		K442	NQR0022-005X	FERRITE BEADS		
R360	NRSA63J-181X	MG RESISTOR	180Ω 1/16W J		K443	NQR0022-005X	FERRITE BEADS		
R361	NQL093K-1R8X	COIL	1.8uH K		K444	NQR0022-005X	FERRITE BEADS		
R362	NRSA63J-0R0X	MG RESISTOR	0Ω 1/16W J		K445	NQR0022-005X	FERRITE BEADS		
R363	NRSA63J-151X	MG RESISTOR	150Ω 1/16W J		K451	NQR0022-005X	FERRITE BEADS		
R364	NRSA63J-151X	MG RESISTOR	150Ω 1/16W J		K452	NQR0022-005X	FERRITE BEADS		
R365	NRSA63D-911X	MG RESISTOR	910Ω 1/16W D		K601	NQR0022-005X	FERRITE BEADS		
R366	NRSA63D-202X	MG RESISTOR	2kΩ 1/16W D		SW4	NSW0184-001X	DETECT SW		
R370	NRSA63J-103X	MG RESISTOR	10kΩ 1/16W J		SW5	NSW0183-001X	DETECT SW		
R372	NRSA63J-331X	MG RESISTOR	330Ω 1/16W J		TH491	NAD0025-103X	N THERMISTOR	10kΩ	
R373	NRSA63J-331X	MG RESISTOR	330Ω 1/16W J		X351	NAX0730-001X	CRYSTAL	27.000MHZ	
R380	NRSA63J-102X	MG RESISTOR	1kΩ 1/16W J						
R384	NRSA63J-102X	MG RESISTOR	1kΩ 1/16W J						
R385	NRSA63J-102X	MG RESISTOR	1kΩ 1/16W J						
R386	NRSA63J-0R0X	MG RESISTOR	0Ω 1/16W J						
R390	NRSA63J-103X	MG RESISTOR	10kΩ 1/16W J						
R392	NRSA63J-101X	MG RESISTOR	100Ω 1/16W J						
R393	NRSA63J-0R0X	MG RESISTOR	0Ω 1/16W J						
R394	NRSA63J-0R0X	MG RESISTOR	0Ω 1/16W J						
R396	NRSA63J-473X	MG RESISTOR	47kΩ 1/16W J						
R399	NRSA63J-0R0X	MG RESISTOR	0Ω 1/16W J						
R401	NRSA63J-100X	MG RESISTOR	10Ω 1/16W J						
R402	NRSA63J-4R7X	MG RESISTOR	4.7Ω 1/16W J						
R403	NRSA63J-0R0X	MG RESISTOR	0Ω 1/16W J						
R404	NRSA63J-473X	MG RESISTOR	47kΩ 1/16W J						
R411	NRSA63J-100X	MG RESISTOR	10Ω 1/16W J						
R421	NRSA63J-102X	MG RESISTOR	1kΩ 1/16W J						
R422	NRSA63J-122X	MG RESISTOR	1.2kΩ 1/16W J						
R431	NRSA63J-472X	MG RESISTOR	4.7kΩ 1/16W J						

Packing materials and accessories parts list

Block No. M 3 M M

No additional / supplemental order of WARRANTY CARDS are available



The parts without symbol number are not service.

Packing and Accessories

Block No. [M][3][M][M]

Symbol No.	Part No.	Part Name	Description	Local
A 1	GET0444-001A	INST BOOK	ENG FRE SPA	ADV5380J,DV5300J
A 1	GET0442-002A	INST BOOK	SPA ITA SWE POR	DV5301E,DV5302E
A 1	GET0442-003A	INST BOOK	ENG FRE	DV5301EU,DV5302EU
A 1	GET0440-001A	INST BOOK	ENG	DV5304UI,DV4304UI
A 1	GET0439-001A	INST BOOK	ENG CHI(TAIWAN)	DV5305U,DV5306U,DV4305U,DV4306U
A 1	GET0439-003A	INST BOOK	ENG INA	DV5305UN,DV5306UN,DV4305UN,DV4306UN
A 1	GET0439-004A	INST BOOK	ENG CHI(TAIWAN)	DV5305UT,DV5306UT,DV4305UT,DV4306UT
A 1	GET0439-005A	INST BOOK	ENG	DV5305A,DV5306A,DV4305A,DV4306A
A 1	GET0443-001A	INST BOOK	ENG RUS UKR	DV5307EE,DV5308EE
A 1	GET0441-001A	INST BOOK	CHI(PEKIN)	DV5388UF,DV4388UF
A 1	GET0473-001A	INST BOOK	ENG	DVH426UN
A 2	GET0442-001A	INST BOOK	ENG GER FRE DUT	DV5301E,DV5302E
A 2	GET0442-004A	INST BOOK	SPA TUR PER	DV5301EU,DV5302EU
A 2	GET0439-002A	INST BOOK	KOR THA ARA PER	DV5305U,DV5306U,DV4305U,DV4306U
A 3	GET0444-002A	INSTALL MANUAL	ENG FRE SPA	ADV5380J,DV5300J
A 3	GET0442-005A	INSTALL MANUAL	ENG GER FRE DUT	DV5301E,DV5302E
A 3	GET0442-007A	INSTALL MANUAL	ENG FRE	DV5301EU,DV5302EU
A 3	GET0440-002A	INSTALL MANUAL	ENG	DV5304UI,DV4304UI
A 3	GET0439-006A	INSTALL MANUAL	ENG CHI(TAIWAN)	DV5305U,DV5305UT,DV5306U,DV5306UT,DV4305U,DV4305UT,DV4306U,DV4306UT
A 3	GET0439-008A	INSTALL MANUAL	ENG INA	DV5305UN,DV5306UN,DV4305UN,DV4306UN
A 3	GET0439-009A	INSTALL MANUAL	ENG	DV5305A,DV5306A,DV4305A,DV4306A
A 3	GET0443-002A	INSTALL MANUAL	ENG RUS UKR	DV5307EE,DV5308EE
A 3	GET0441-002A	INSTALL MANUAL	CHI(PEKIN)	DV5388UF,DV4388UF
A 4	GET0442-006A	INSTALL MANUAL	SPA ITA SWE POR	DV5301E,DV5302E
A 4	GET0442-008A	INSTALL MANUAL	SPA TUR PER	DV5301EU,DV5302EU
A 4	GET0439-007A	INSTALL MANUAL	KOR THA ARA PER	DV5305U,DV5306U,DV4305U,DV4306U
A 5	GE20204-008A	TRIM PLATE		ADV5380J,DV5300J,DV5301E,DV5301EU,ADV5380J,DV5302E,DV5302EU,DV5304UI,DV5305U,DV5305UN,DV5305UT,DV5305A,DV5306U,DV5306UN,DV5306UT,DV5306A,DV5307EE,DV5388UF,DV4306U,DV4306UN,DV4306UT,DV4306A,DV4388UF
A 5	GE20204-011A	TRIM PLATE		DV5300J
A 5	GE20204-010A	TRIM PLATE		DV5301E,DV5301EU,DV5304UI,DV5305U,DV5305UN,DV5305UT,DV5305A,DV5308EE,DV4304UI,DV4305U,DV4305UN,DV4305UT,DV4305A
A 5	GE20204-001A	TRIM PLATE		DVH426UN
A 6	GE20137-003A	MOUNTING SLEEVE		ADV5380J,DV5300J,DV5301E,DV5301EU,DV5302E,DV5302EU,DV5304UI,DV5305U,DV5305UN,DV5305UT,DV5305A,DV5306U,DV5306UN,DV5306UT,DV5306A,DV5307EE,DV5308EE,DV5388UF,DV4304UI,DV4305U,DV4305UN,DV4305UT,DV4305A,DV4306U,DV4306UN,DV4306UT,DV4306A,DV4388UF
A 6	GE32259-001A	TRIM PROTECTOR		DVH426UN
A 7	VKZ4027-202	PLUG NUT		ADV5380J,DV5300J,DV5301E,DV5301EU,DV5302E,DV5302EU,DV5304UI,DV5305U,DV5305UN,DV5305UT,DV5305A,DV5306U,DV5306UN,DV5306UT,DV5306A,DV5307EE,DV5308EE,DV5388UF,DV4304UI,DV4305U,DV4305UN,DV4305UT,DV4305A,DV4306U,DV4306UN,DV4306UT,DV4306A,DV4388UF
A 8	VKH4871-003	MOUNT BOLT		ADV5380J,DV5300J,DV5301E,DV5301EU,DV5302E,DV5302EU,DV5304UI,DV5305U,DV5305UN,DV5305UT,DV5305A,DV5306U,DV5306UN,DV5306UT,DV5306A,DV5307EE,DV5308EE,DV5388UF,DV4304UI,DV4305U,DV4305UN,DV4305UT,DV4305A,DV4306U,DV4306UN,DV4306UT,DV4306A,DV4388UF
A 9	VKZ4328-003	LOCK NUT		ADV5380J,DV5300J,DV5301E,DV5301EU,DV5302E,DV5302EU,DV5304UI,DV5305U,DV5305UN,DV5305UT,DV5305A,DV5306U,DV5306UN,DV5306UT,DV5306A,DV5307EE,DV5308EE,DV5388UF,DV4304UI,DV4305U,DV4305UN,DV4305UT,DV4305A,DV4306U,DV4306UN,DV4306UT,DV4306A,DV4388UF

△	Symbol No.	Part No.	Part Name	Description	Local
	A10	QYWW53A008ZA	WASHER	0mm/5.3mm x	ADV5380J,DV5300J,DV5301E,DV5301EU, DV5302E,DV5302EU,DV5304UI,DV5305U, DV5305UN,DV5305UT,DV5305A,DV5306U ,DV5306UN,DV5306UT,DV5306A,DV5307 EE,DV5308EE,DV5388UF,DV4304UI,DV43 05U,DV4305UN,DV4305UT,DV4305A,DV4 306U,DV4306UN,DV4306UT,DV4306A,DV 4388UF
	A11	GE40130-002A	HOOK	(x2)	ADV5380J,DV5300J,DV5301E,DV5301EU, DV5302E,DV5302EU,DV5304UI,DV5305U, DV5305UN,DV5305UT,DV5305A,DV5306U ,DV5306UN,DV5306UT,DV5306A,DV5307 EE,DV5308EE,DV5388UF,DV4304UI,DV43 05U,DV4305UN,DV4305UT,DV4305A,DV4 306U,DV4306UN,DV4306UT,DV4306A,DV 4388UF
	A12	LV41478-001A	CORD CONNECTER		ADV5380J,DV5300J,DV5301E,DV5301EU, DV5302E,DV5302EU,DV5304UI,DV5305U, DV5305UN,DV5305UT,DV5305A,DV5306U ,DV5306UN,DV5306UT,DV5306A,DV5307 EE,DV5308EE,DV5388UF,DV4304UI,DV43 05U,DV4305UN,DV4305UT,DV4305A,DV4 306U,DV4306UN,DV4306UT,DV4306A,DV 4388UF
	A13	GE32320-001A	HARD CASE ASSY		ADV5380J,DV5300J,DV5301E,DV5301EU, DV5302E,DV5302EU,DV5304UI,DV5305U, DV5305UN,DV5305UT,DV5305A,DV5306U ,DV5306UN,DV5306UT,DV5306A,DV5307 EE,DV5308EE,DV5388UF,DV4304UI,DV43 05U,DV4305UN,DV4305UT,DV4305A,DV4 306U,DV4306UN,DV4306UT,DV4306A,DV 4388UF
	A14	RM-RK241	REMOTE CONTROL UNIT		ADV5380J,DV5300J,DV5301E,DV5301EU, DV5302E,DV5302EU,DV5304UI,DV5305U, DV5305UN,DV5305UT,DV5305A,DV5306U ,DV5306UN,DV5306UT,DV5306A,DV5307 EE,DV5308EE,DV5388UF,DV4304UI,DV43 05U,DV4305UN,DV4305UT,DV4305A,DV4 306U,DV4306UN,DV4306UT,DV4306A,DV 4388UF
	A14	RM-RK230	REMOCON UNIT		DVH426UN
	A15	-----	BATTERY	3V	
△	A16	QAM0842-001	POWER CORD		ADV5380J,DV5300J
△	A16	QAM0841-001	POWER CORD		DV5301E,DV5301EU,DV5302E,DV5302EU ,DV5307EE,DV5308EE
△	A16	QAM0843-001	POWER CORD		DV5304UI,DV5305U,DV5305UN,DV5305U T,DV5305A,DV5306U,DV5306UN,DV5306 U,DV5306A,DV4304UI,DV4305U,DV4305 UN,DV4305UT,DV4305A,DV4306U,DV430 6UN,DV4306UT,DV4306A
△	A16	QAM0982-001	POWER CORD		DV5388UF,DV4388UF
△	A16	QAM1025-001	POWER CORD		DVH426UN
	A17	-----	WARRANTY CARD	BT-51029-3	ADV5380J
	A17	-----	WARRANTY CARD	BT-51018-5	DV5300J
	A17	-----	WARRANTY CARD	BT-54031-1	DV5301E,DV5302E,DV5307EE,DV5308EE
	A18	-----	WARRANTY CARD	BT-52006-2	ADV5380J,DV5300J
	A19	BT-51041-1	REGIS. CARD	BT-51041-1	ADV5380J,DV5300J
	A20	VND3050-002	IDENTITY CARD		DV5301E,DV5302E
	A21	VND3046-001	SERIAL TICKET		DV5301E,DV5302E,DV5307EE,DV5308EE
	A22	QYSDSP5008ZA	SCREW	M5 x 8mm(x4)	DVH426UN
	A23	QYSSSP5008ZA	SCREW	M5 x 8mm(x4)	DVH426UN
	A24	GET0475-001A	ERRATA SHEET		ADV5380J,DV5300J
	KIT	SRW-AVX11J	SCREW PARTS KIT	A7 A8 A9 A10 A11 A12	ADV5380J,DV5300J,DV5301E,DV5301EU, DV5302E,DV5302EU,DV5304UI,DV5305U, DV5305UN,DV5305UT,DV5305A,DV5306U ,DV5306UN,DV5306UT,DV5306A,DV5307 EE,DV5308EE,DV5388UF,DV4304UI,DV43 05U,DV4305UN,DV4305UT,DV4305A,DV4 306U,DV4306UN,DV4306UT,DV4306A,DV 4388UF
	KIT	SRW-424	SCREW PARTS KIT	A22 A23	DVH426UN
	P 1	GE32610-001A	CARTON		ADV5380J
	P 1	GE32607-001A	CARTON		DV5300J
	P 1	GE32598-002A	CARTON		DV5301E,DV5301EU
	P 1	GE32601-002A	CARTON		DV5302E,DV5302EU
	P 1	GE32626-002A	CARTON		DV5304UI
	P 1	GE32615-002A	CARTON		DV5305U,DV5305UN,DV5305UT,DV5305A
	P 1	GE32618-002A	CARTON		DV5306U,DV5306UN,DV5306UT,DV5306A
	P 1	GE32604-002A	CARTON		DV5307EE
	P 1	GE32794-001A	CARTON		DV5308EE
	P 1	GE32629-001A	CARTON		DV5388UF
	P 1	GE32592-002A	CARTON		DV4304UI
	P 1	GE32553-002A	CARTON		DV4305U,DV4305UN,DV4305UT,DV4305A
	P 1	GE32556-002A	CARTON		DV4306U,DV4306UN,DV4306UT,DV4306A
	P 1	GE32595-001A	CARTON		DV4388UF
	P 1	GE32804-001A	CARTON		DVH426UN
	P 2	QPC03004315P	POLY BAG	30cm x 43cm	

△	Symbol No.	Part No.	Part Name	Description	Local
	P 3	FSPG4002-001	POLY BAG		ADV5380J,DV5300J,DV5304UI,DV5305UN ,DV5305UT,DV5305A,DV5306UN,DV5306 UT,DV5306A,DV5307EE,DV5308EE,DV53 88UF,DV4304UI,DV4305UN,DV4305UT,DV 4305A,DV4306UN,DV4306UT,DV4306A,D V4388UF,DVH426UN
	P 3	FSPG4002-001	POLY BAG	(x2)	DV5301E,DV5301EU,DV5302E,DV5302EU ,DV5305U,DV5306U,DV4305U,DV4306U
	P 4	GE10191-001A	EPS CUSHION(L)		
	P 5	QPA01003003	POLY BAG	10cm x 30cm	
	P 6	QPC01002515	POLY BAG	10cm x 25cm	
	P 7	QPA00801205	POLY BAG	8cm x 12cm	

<MEMO>

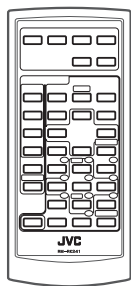
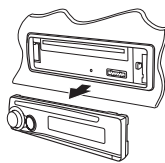
JVC

SCHEMATIC DIAGRAMS

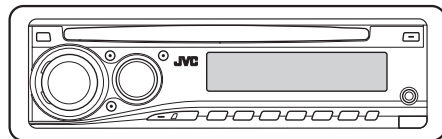
DVD/CD RECEIVER

**KD-ADV5380J, KD-DV5300J, KD-DV5301E
KD-DV5301EU, KD-DV5302E, KD-DV5302EU
KD-DV5304UI, KD-DV5305U, KD-DV5305UN
KD-DV5305UT, KD-DV5305A, KD-DV5306U
KD-DV5306UN, KD-DV5306UT, KD-DV5306A
KD-DV5307EE, KD-DV5308EE, KD-DV5388UF
KD-DV4304UI, KD-DV4305U, KD-DV4305UN
KD-DV4305UT, KD-DV4305A, KD-DV4306U
KD-DV4306UN, KD-DV4306UT, KD-DV4306A
KD-DV4388UF, KD-DVH426UN**

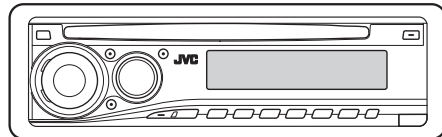
CD-ROM No.SML200703



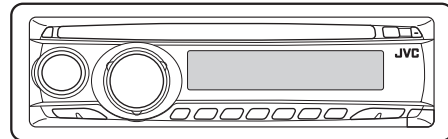
KD-ADV5380/KD-DV5300/KD-DV5306
KD-DV5305/KD-DV5304/KD-DV5303



KD-DV5308/KD-DV5307/KD-DV5302
KD-DV5301/KD-DV4306/KD-DV4305
KD-DV4304/KD-DV4303



KD-DVH426



WMA



MP3



WAV
except



only for

KD-DVH426



KD-ADV5380
KD-DV5300

only for
KD-DV5308
KD-DV5307
KD-DV5302
KD-DV5301

Lead free solder used in the board (material : Sn-Ag-Cu, melting point : 219 Centigrade)

Lead free solder used in the board (material : Sn-Cu, melting point : 230 Centigrade)

Contents

Block diagram	2-1
Standard schematic diagrams	2-2
Printed circuit boards	2-12 to 14

Safety precaution

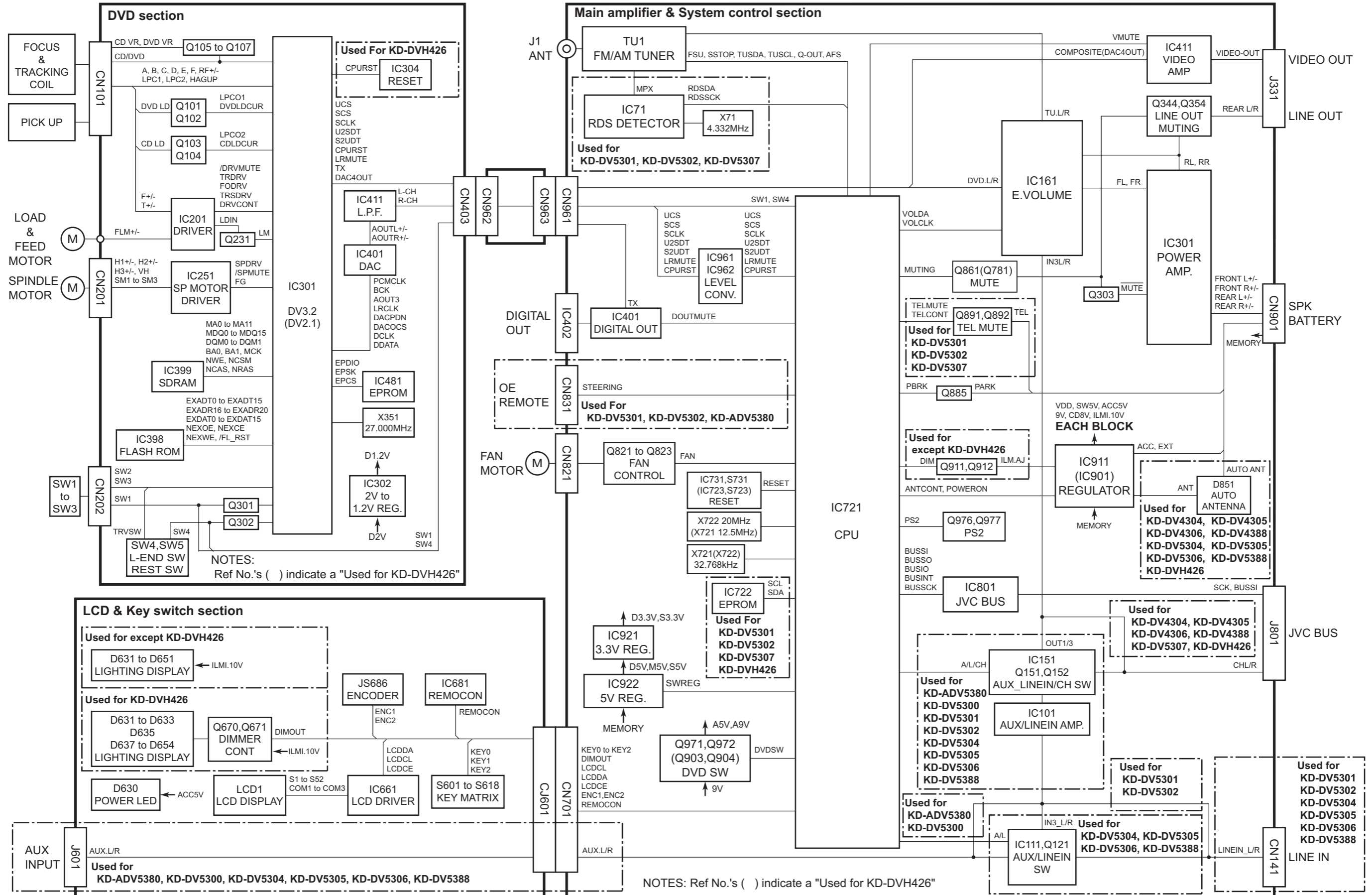


CAUTION Burrs formed during molding may be left over on some parts of the chassis. Therefore, pay attention to such burrs in the case of performing repair of this system.



CAUTION Please use enough caution not to see the beam directly or touch it in case of an adjustment or operation check.

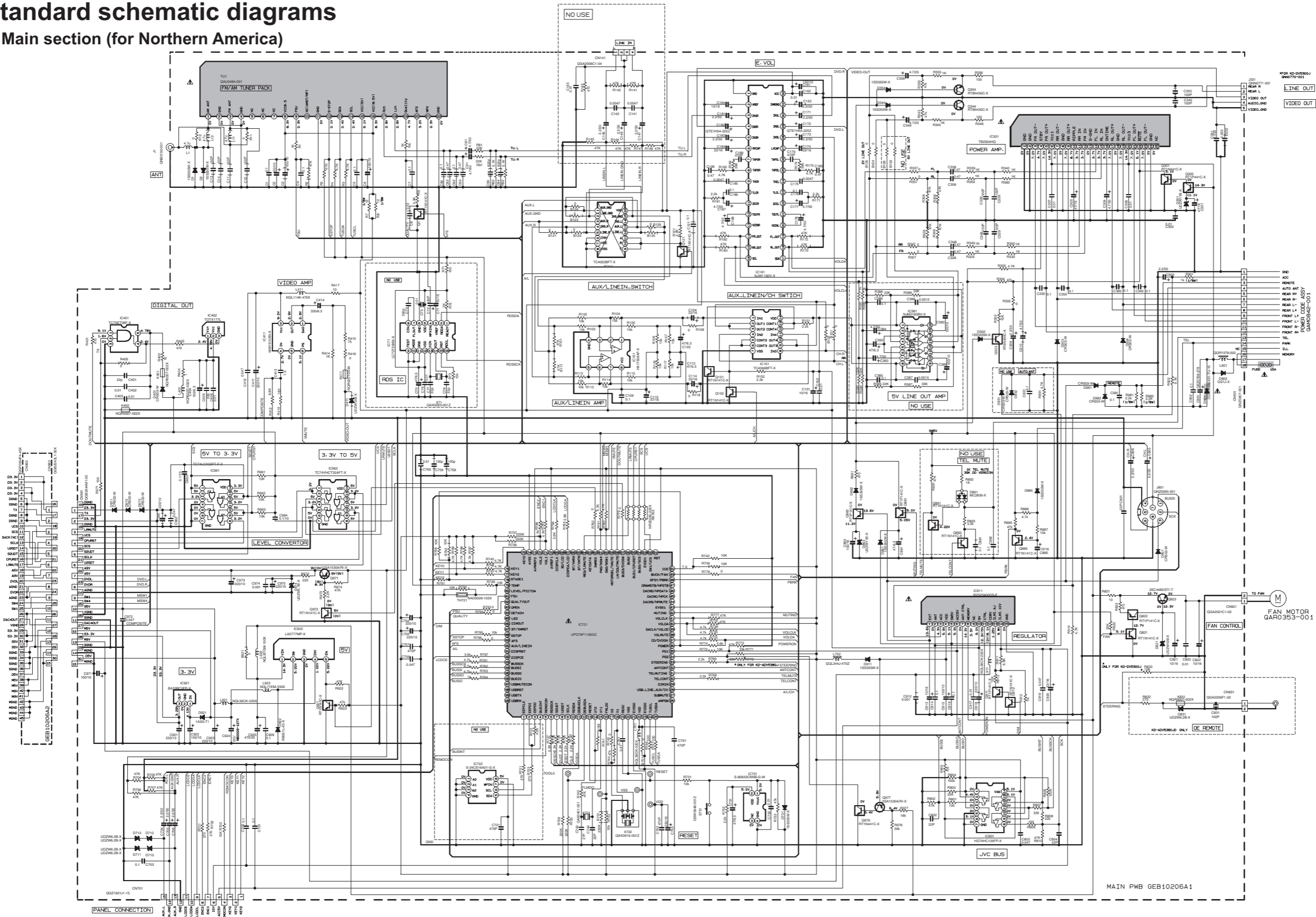
Block diagram



Standard schematic diagrams

■ Main section (for Northern America)

TO FMU-JDB-1D MECHA

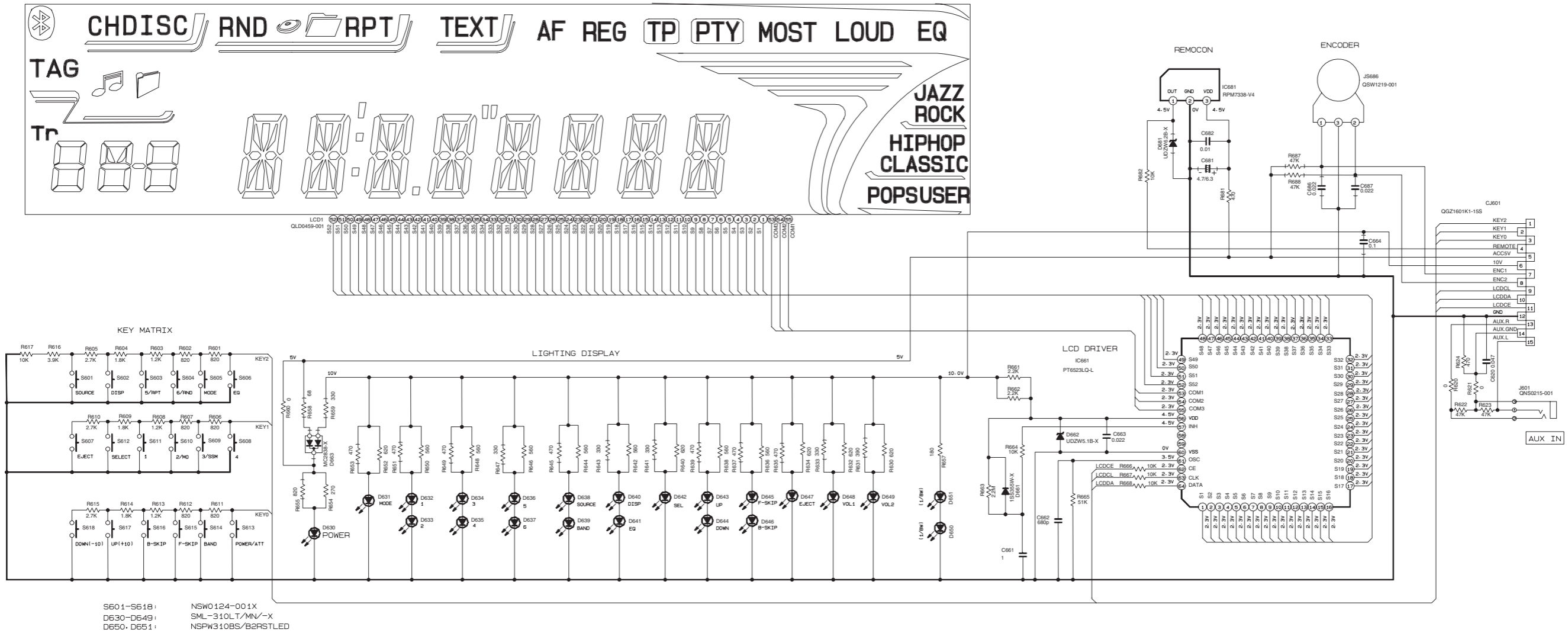


MAIN PWB GEB10205A1

- NOTES
1. VOLTAGES ARE DC-MEASURED WITH A DIGITAL VOLT METER WITHOUT INPUT SIGNAL CONDITION — DVD MODE: () FM MODE: () AM MODE: () CH MODE: () USB MODE
 2. UNLESS OTHERWISE SPECIFIED, ALL RESISTORS ARE 1/10W 5% METAL GLAZE RESISTOR. ALL CAPACITORS ARE 50V OR 25V CERAMIC CAPACITOR. ALL RESISTANCE VALUES ARE IN OHM. ALL CAPACITANCE VALUES ARE IN μF (PnpF) ALL CAPACITORS ARE SHOWN IN THE FORM OF CAPACITANCE/(RATED VOLTAGE (V)) F FILM CAPACITOR
 3. NI STANDS FOR NOT MOUNTED PARTS

▲ Parts are safety assurance parts. When replacing those parts make sure to use the specified one.

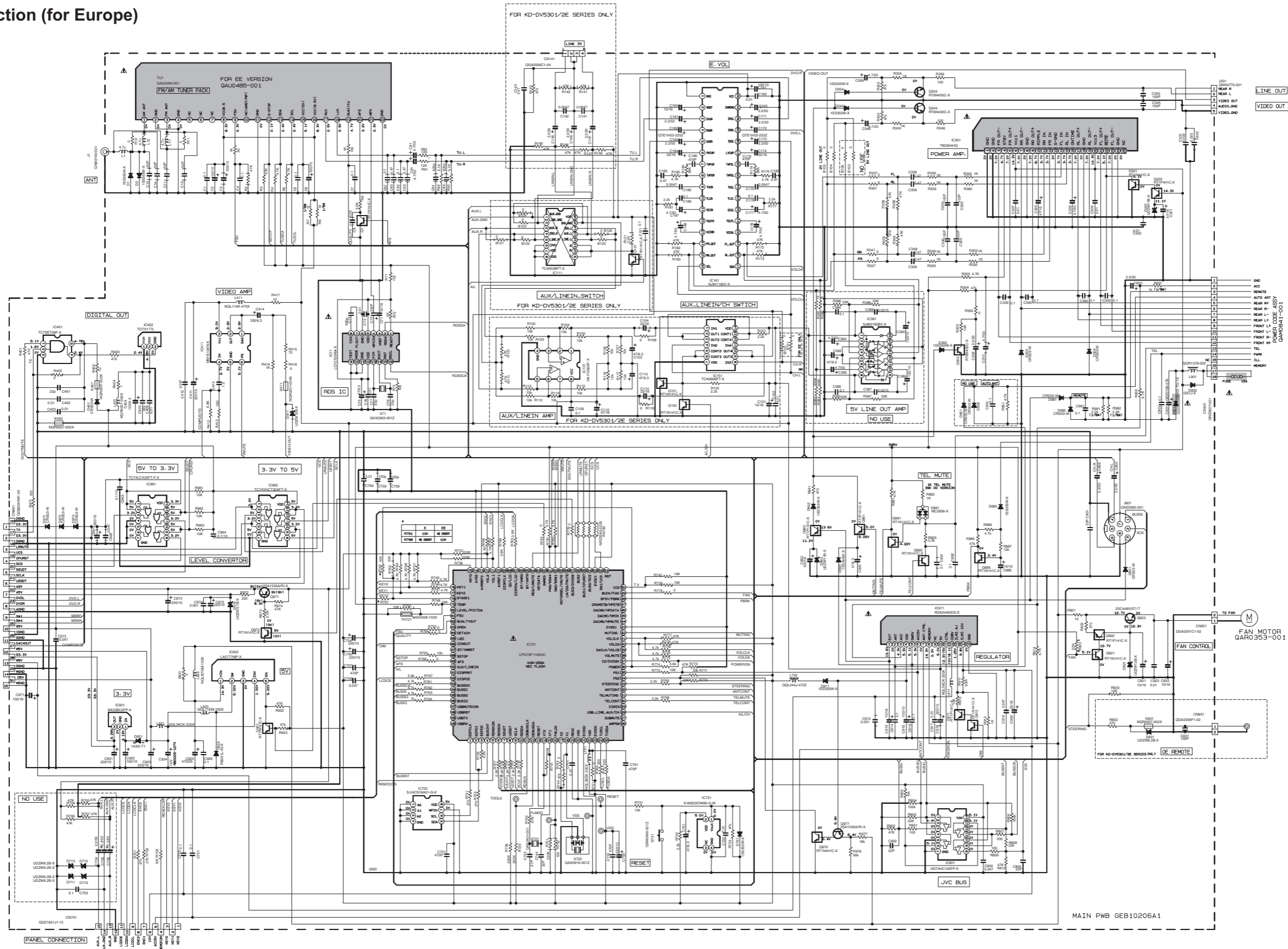
■ LCD and Key control section (for Northern America)



- NOTES
1. VOLTAGES ARE DC-MEASURED WITH A DIGITAL VOLT METER WITHOUT INPUT SIGNAL.
 2. UNLESS OTHERWISE SPECIFIED, ALL RESISTORS ARE 1/16W ±5% METAL GLAZE RESISTOR. ALL CAPACITORS ARE 50V OR 25V CERAMIC CAPACITOR. ALL RESISTANCE VALUES ARE IN OHM. ALL CAPACITANCE VALUES ARE IN uF (P=pF). ALL E. CAPACITORS ARE SHOWN IN THE FORM OF CAPACITANCE(uF)/RATED VOLTAGE(V). T --- TANTALUM CAPACITOR.
 3. COMPONENTS IN () INDICATE NOT USE.

■ Main section (for Europe)

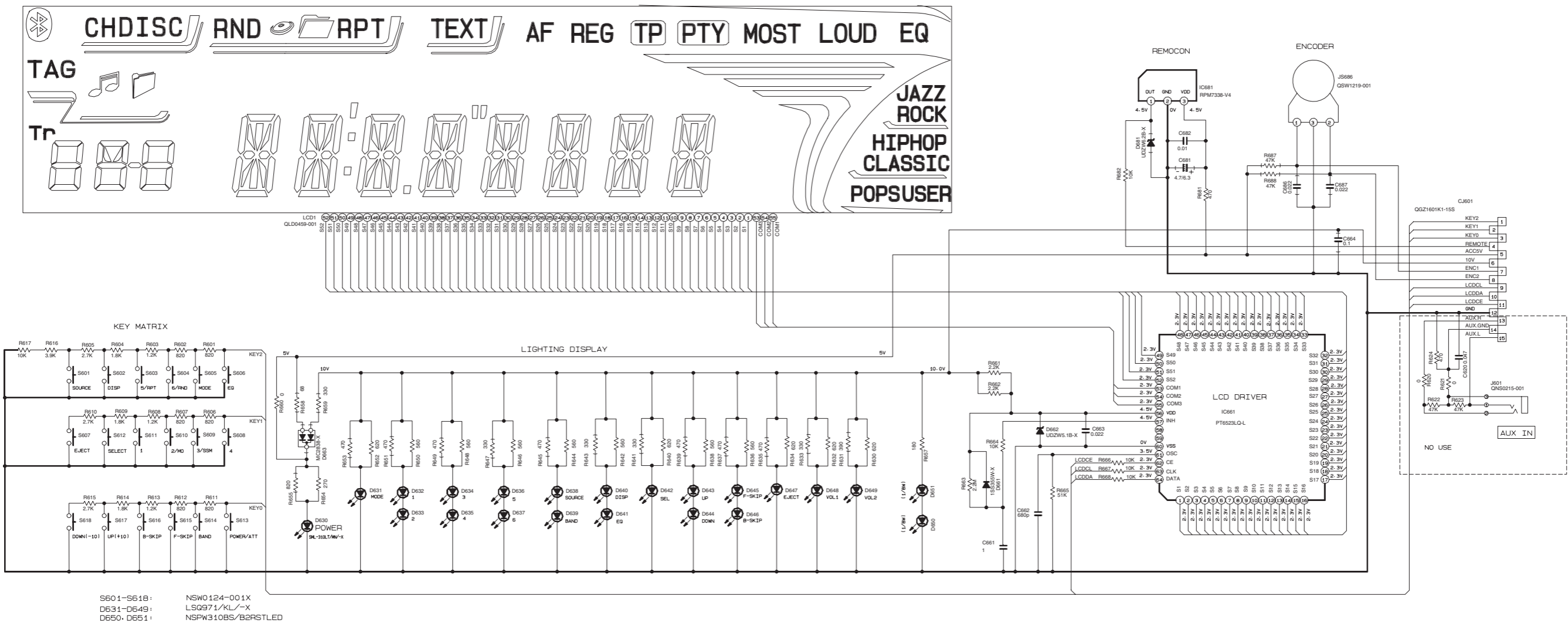
TO FMU-JD8-1D MECHA



- NOTES
- VOLTAGES ARE DC-MEASURED WITH A DIGITAL VOLT METER WITHOUT INPUT SIGNAL
CONDITION — DVD MODE: () FM MODE: () AM MODE: () CH MODE: () USB MODE
 - UNLESS OTHERWISE SPECIFIED,
ALL RESISTORS ARE 1/10W 5% METAL GLAZE RESISTOR.
ALL CAPACITORS ARE 50V OR 25V CERAMIC CAPACITOR.
ALL RESISTANCE VALUES ARE IN OHM.
ALL CAPACITANCE VALUES ARE IN μF (P=PPF)
ALL E-CAPACITORS ARE SHOWN IN THE FORM OF CAPACITANCE (μF)/RATED VOLTAGE (V)
F — FILM CAPACITOR
 - NI STANDS FOR NOT MOUNTED PARTS

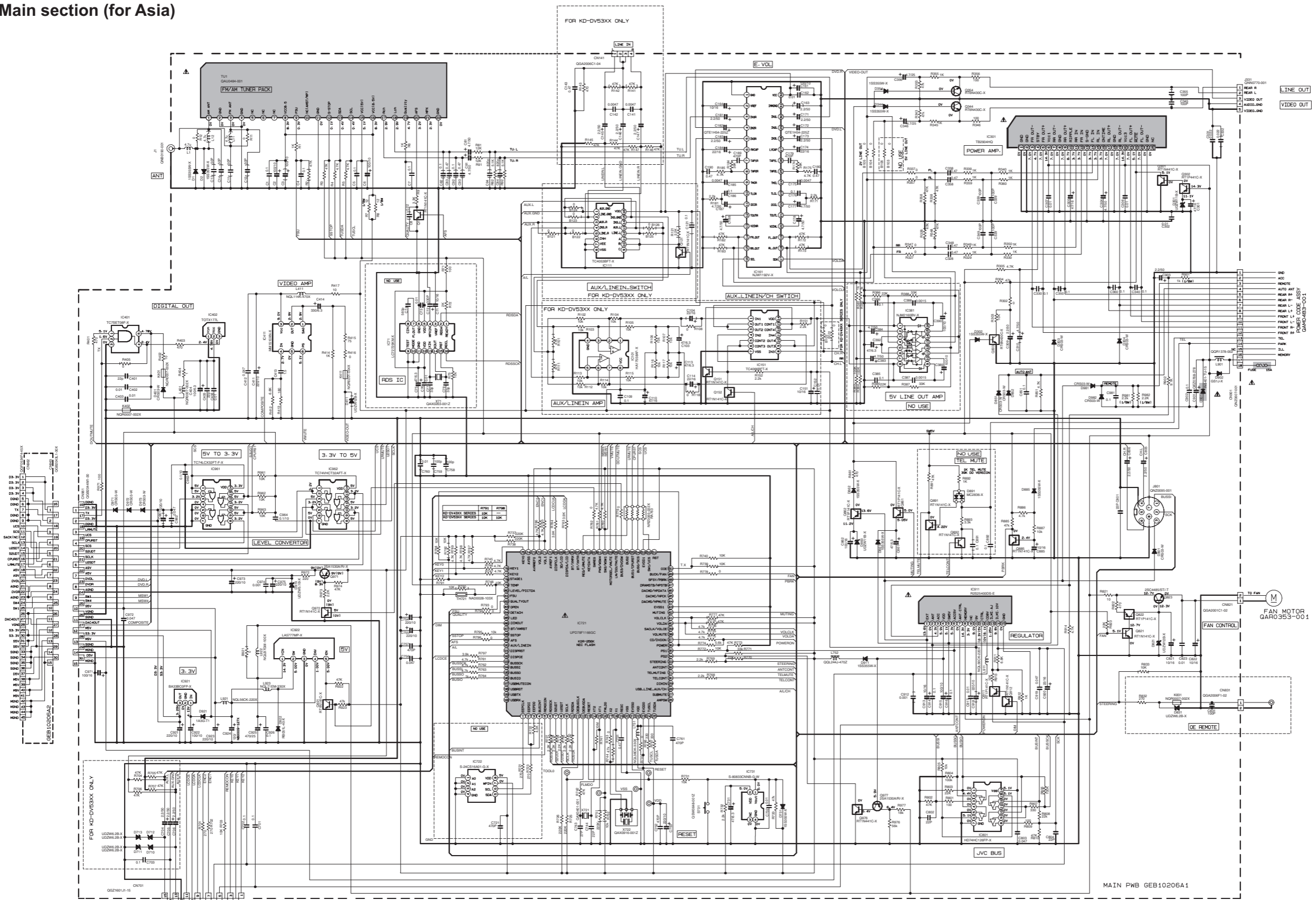
▲ Parts are safety assurance parts.
When replacing those parts make
sure to use the specified one.

■ LCD and Key control section (for Europe)



- NOTES
- VOLTAGES ARE DC-MEASURED WITH A DIGITAL VOLT METER WITHOUT INPUT SIGNAL.
 - UNLESS OTHERWISE SPECIFIED.
ALL RESISTORS ARE 1/16W ±5% METAL GLAZE RESISTOR.
ALL CAPACITORS ARE 50V OR 25V CERAMIC CAPACITOR.
ALL RESISTANCE VALUES ARE IN OHM.
ALL CAPACITANCE VALUES ARE IN uF (P=pF)
ALL E-CAPACITORS ARE SHOWN IN THE FORM OF CAPACITANCE(uF)/RATED VOLTAGE(V)
T --- TANTALUM CAPACITOR.
 - COMPONENTS IN () INDICATE NOT USE.

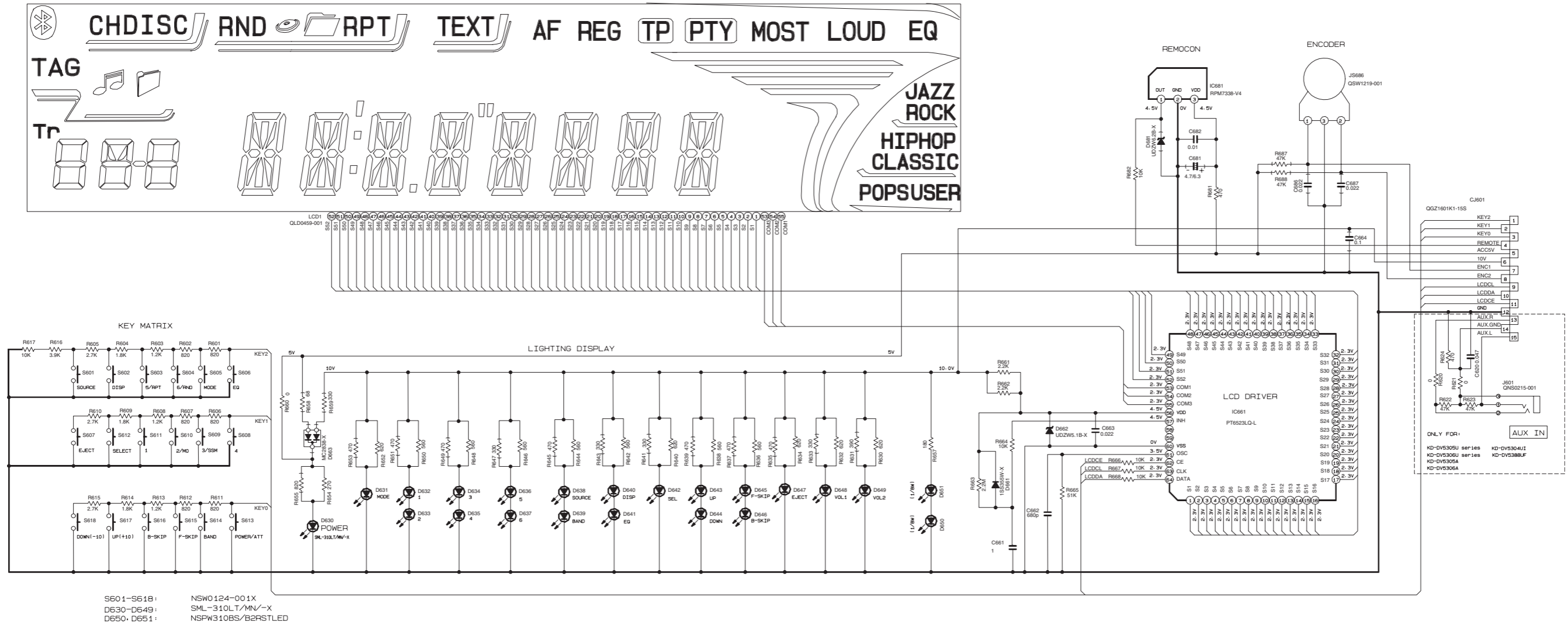
■ Main section (for Asia)



- NOTES
1. VOLTAGES ARE DC-MEASURED WITH A DIGITAL VOLT METER WITHOUT INPUT SIGNAL CONDITION --- DVD MODE () FM MODE () AM MODE () CH MODE () USB MODE () UNLESS OTHERWISE SPECIFIED.
 2. ALL RESISTORS ARE 1/4W LOW-HIGH METAL GLAZE RESISTOR. ALL CAPACITORS ARE 50V OR 25V CERAMIC CAPACITOR. ALL RESISTANCE VALUES ARE IN OHM. ALL CAPACITANCE VALUES ARE IN UF (µF) UNLESS OTHERWISE SPECIFIED. ALL E-CAPACITORS ARE SHOWN IN THE FORM OF CAPACITANCE (µF)/RATED VOLTAGE (V). F --- FILM CAPACITOR
 3. NI STANDS FOR NOT MOUNTED PARTS

⚠ Parts are safety assurance parts. When replacing those parts make sure to use the specified one.

■ LCD and Key control section (for Asia)

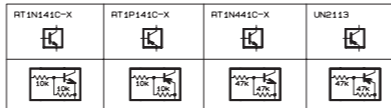
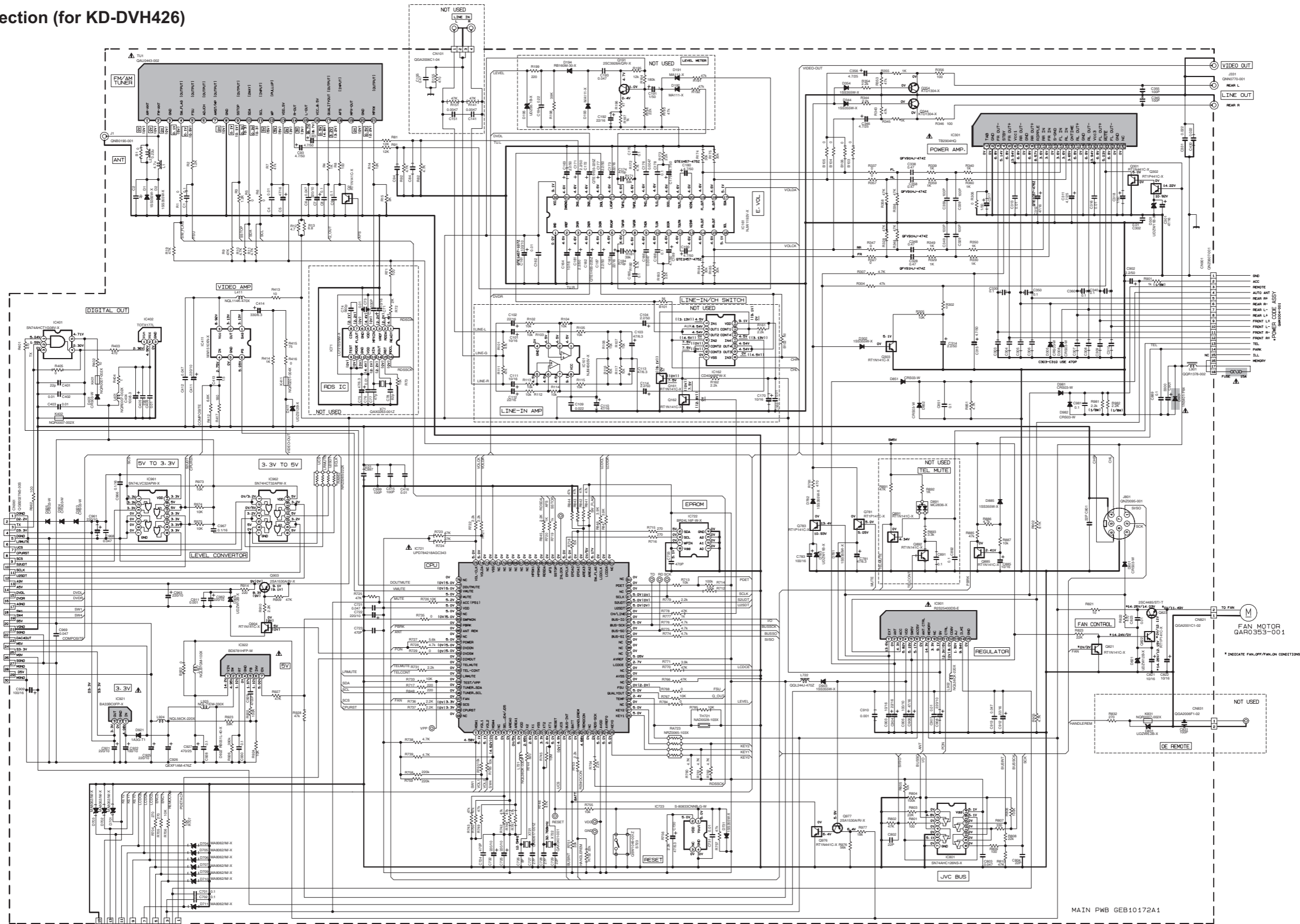


NOTES

1. VOLTAGES ARE DC-MEASURED WITH A DIGITAL VOLT METER WITHOUT INPUT SIGNAL.
2. UNLESS OTHERWISE SPECIFIED.
 ALL RESISTORS ARE 1/16W +5% METAL GLAZE RESISTOR.
 ALL CAPACITORS ARE 50V OR 25V CERAMIC CAPACITOR.
 ALL RESISTANCE VALUES ARE IN OHM.
 ALL CAPACITANCE VALUES ARE IN uF (p=PF)
 ALL E-CAPACITORS ARE SHOWN IN THE FORM OF CAPACITANCE(uF)/RATED VOLTAGE(V)
 T --- TANTALUM CAPACITOR.
3. COMPONENTS IN () INDICATE NOT USE.

■ Main section (for KD-DVH426)

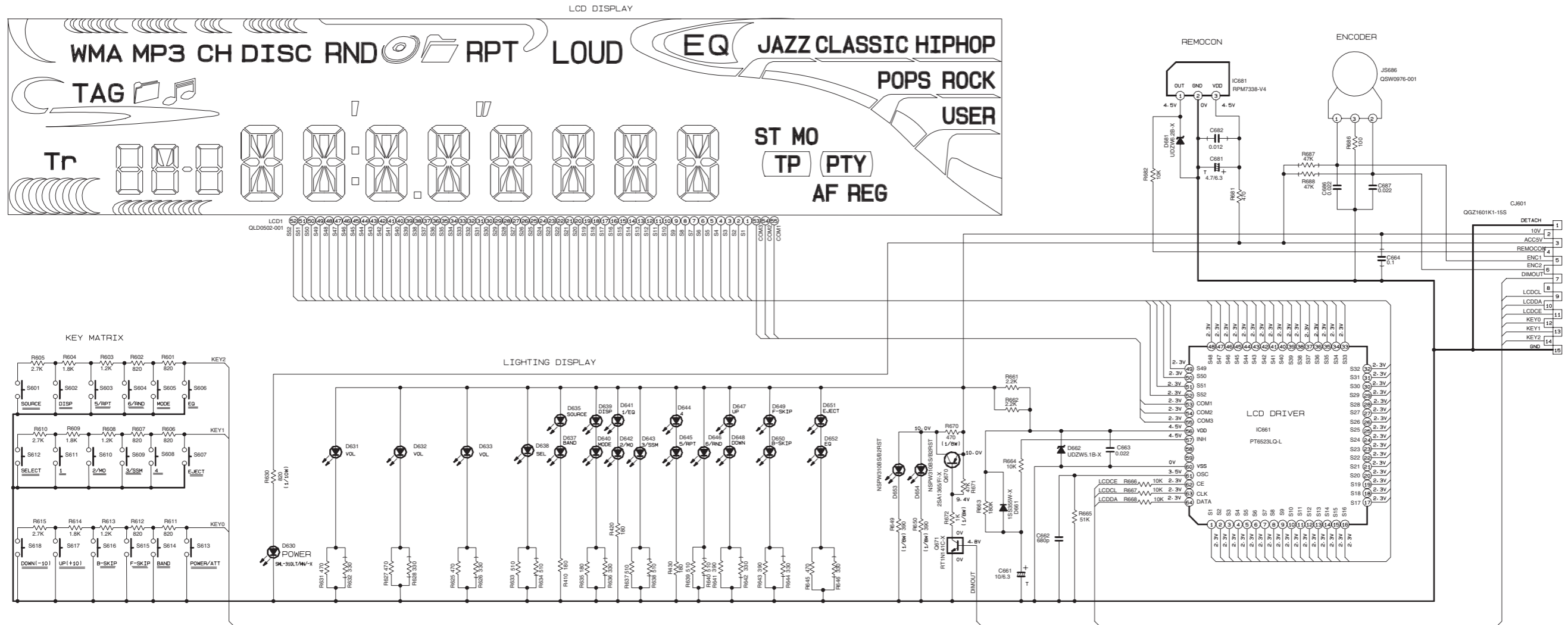
TO FMU-JD5-1D MECHA



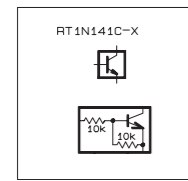
- NOTES
1. VOLTAGES ARE DC-MEASURED WITH A DIGITAL VOLT METER WITHOUT INPUT SIGNAL. CONDITION: — DVD MODE; () FM MODE; □ AM MODE; () CH MODE; — USB MODE.
 2. UNLESS OTHERWISE SPECIFIED, ALL RESISTORS ARE 1/10W 5% METAL GLAZE RESISTOR. ALL CAPACITORS ARE 50V OR 63V CERAMIC CAPACITOR. ALL RESISTANCE VALUES ARE IN OHM. ALL CAPACITANCE VALUES ARE IN UF (PF). ALL E-CAPACITORS ARE SHOWN IN THE FORM OF CAPACITANCE (UF)/RATED VOLTAGE (V). F — FILM CAPACITOR.
 3. NI STANDS FOR NOT MOUNTED PARTS.

⚠ Parts are safety assurance parts. When replacing those parts make sure to use the specified one.

■ LCD and Key control section (for KD-DVH426)

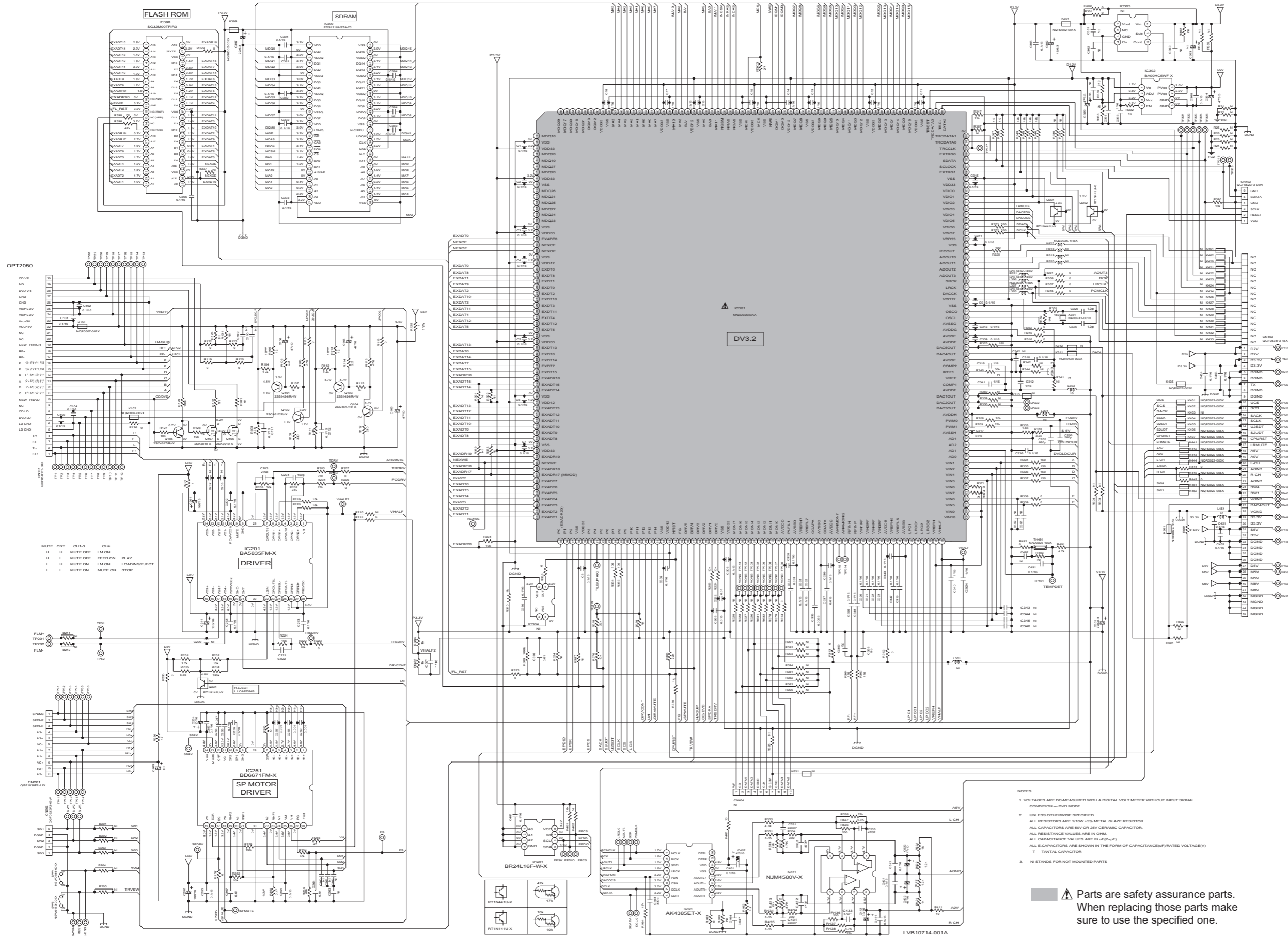


S601-S618: NSWO124-001X
 D631-D633: SML310BA1T/HJ-X
 D635, D637-D650
 D651-D652: SML-310VT/JK/-X



- NOTES
1. VOLTAGES ARE DC-MEASURED WITH A DIGITAL VOLT METER WITHOUT INPUT SIGNAL.
 2. UNLESS OTHERWISE SPECIFIED.
 ALL RESISTORS ARE 1/16W +5% METAL GLAZE RESISTOR.
 ALL CAPACITORS ARE 50V OR 25V CERAMIC CAPACITOR.
 ALL RESISTANCE VALUES ARE IN OHM.
 ALL CAPACITANCE VALUES ARE IN uF(P=pF)
 ALL E-CAPACITORS ARE SHOWN IN THE FORM OF CAPACITANCE(uF)/RATED VOLTAGE(V)
 T --- TANTALUM CAPACITOR.
 3. COMPONENTS IN () INDICATE NOT USE.

■ DVD section (except KD-DVH426)



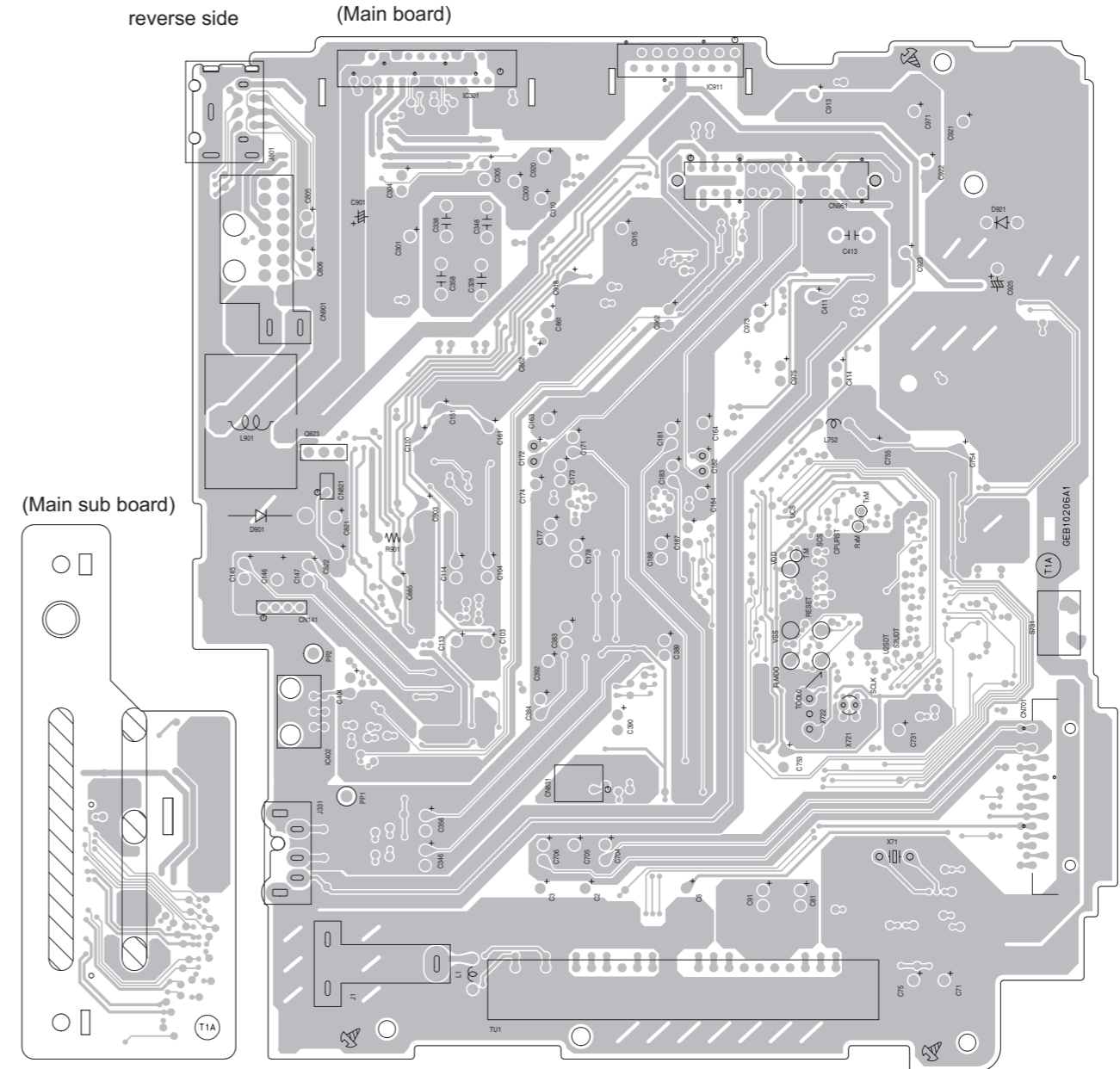
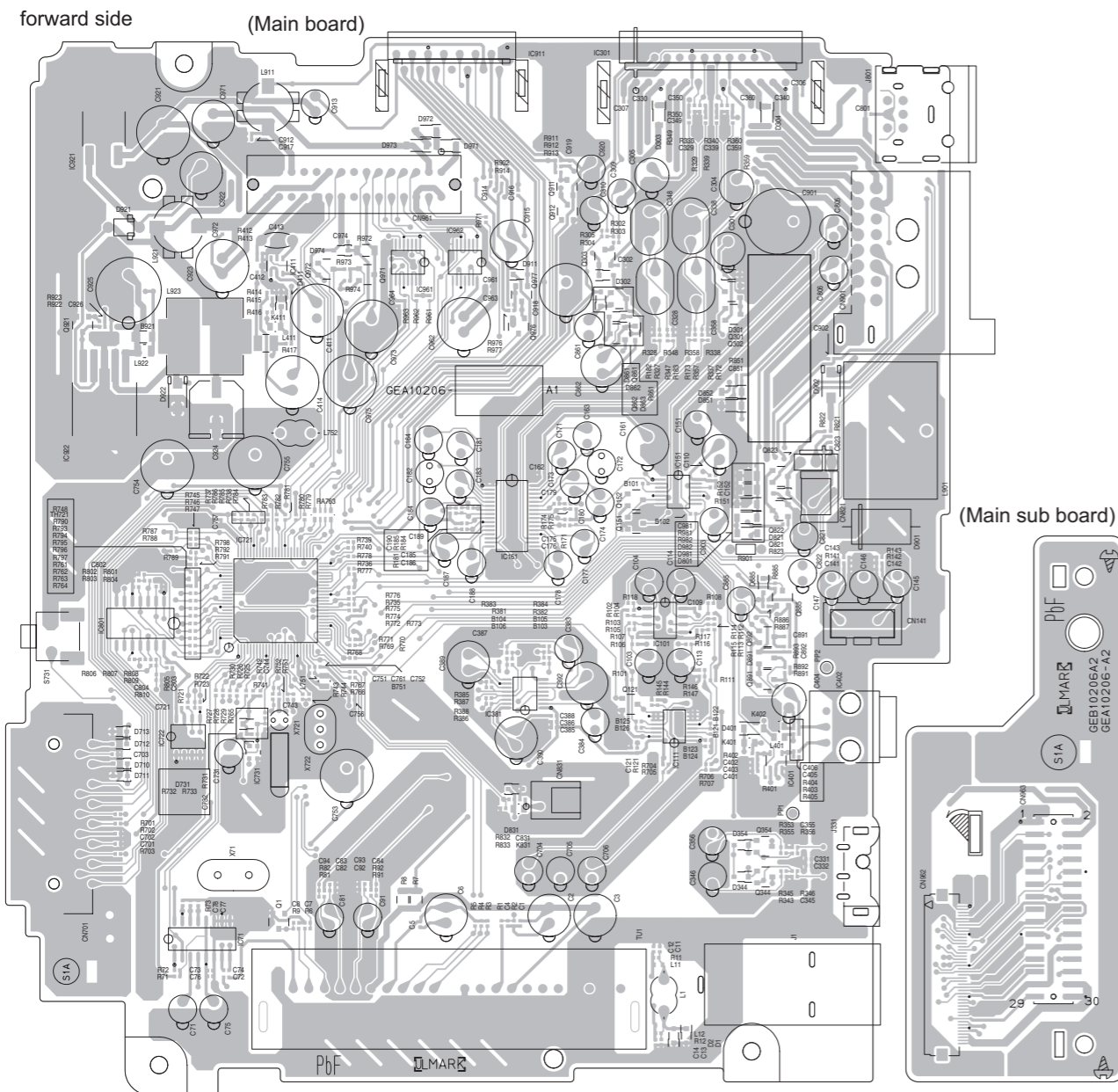
⚠ Parts are safety assurance parts. When replacing those parts make sure to use the specified one.

Printed circuit boards

■ Main board (except KD-DVH426)

Lead free solder used in the board (material : Sn-Ag-Cu, melting point : 219 Centigrade)

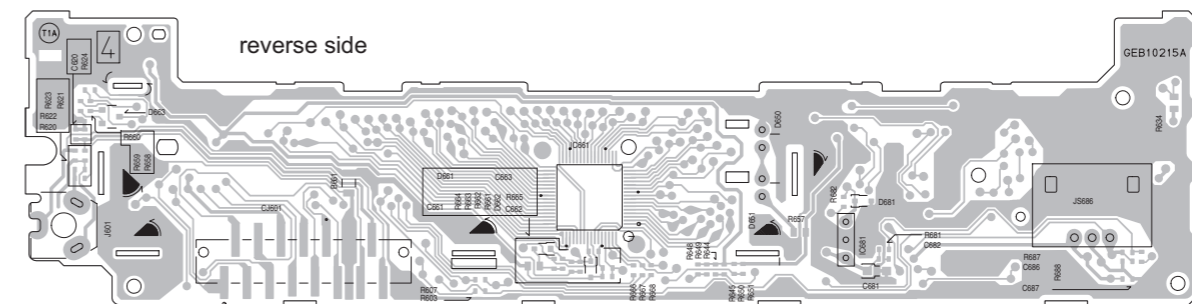
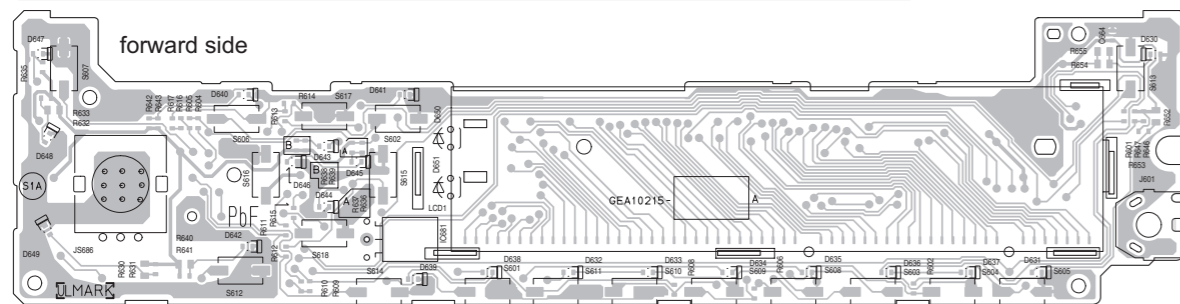
Lead free solder used in the board (material : Sn-Cu, melting point : 230 Centigrade)



■ Switch board (except KD-DVH426)

Lead free solder used in the board (material : Sn-Ag-Cu, melting point : 219 Centigrade)

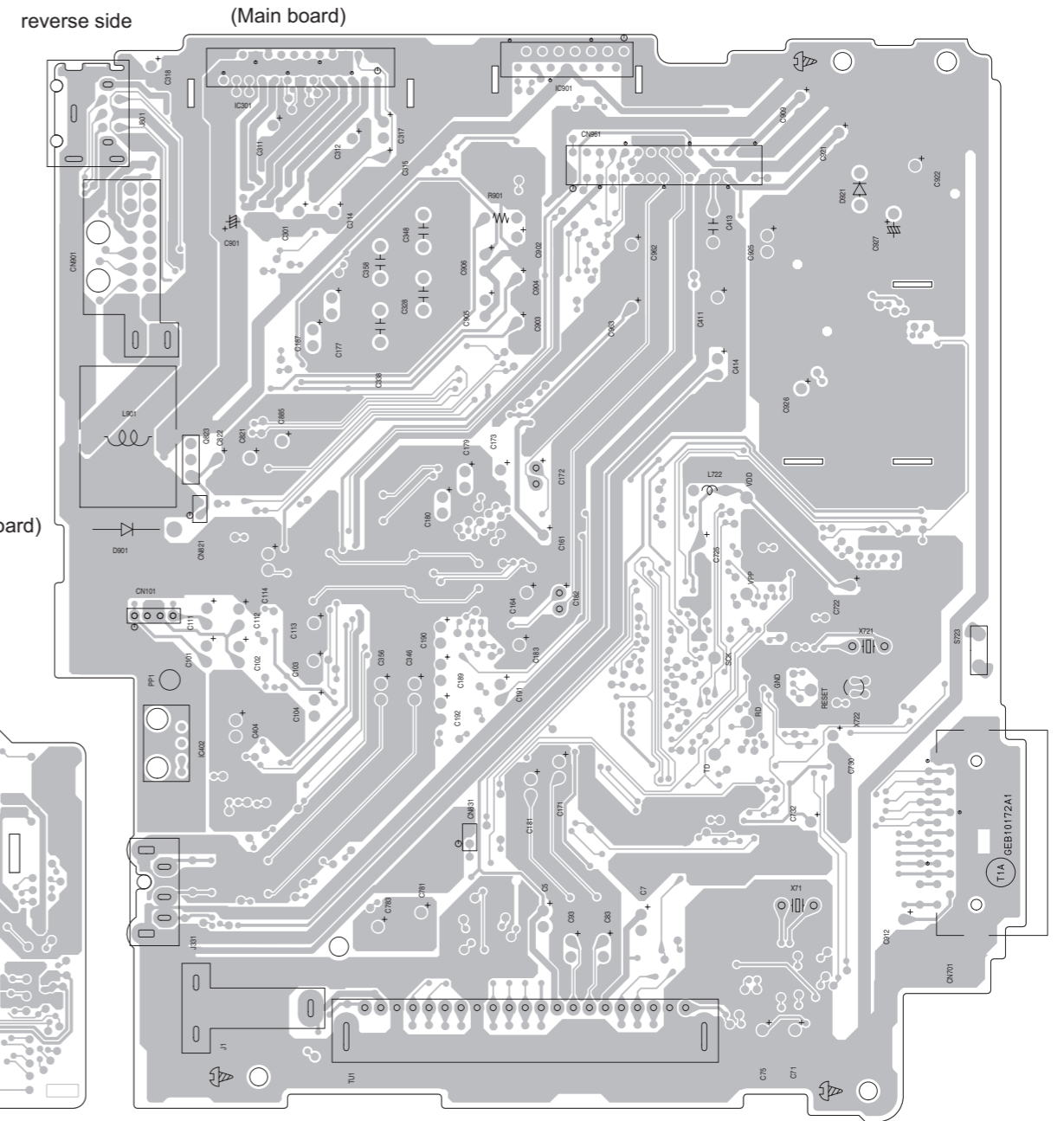
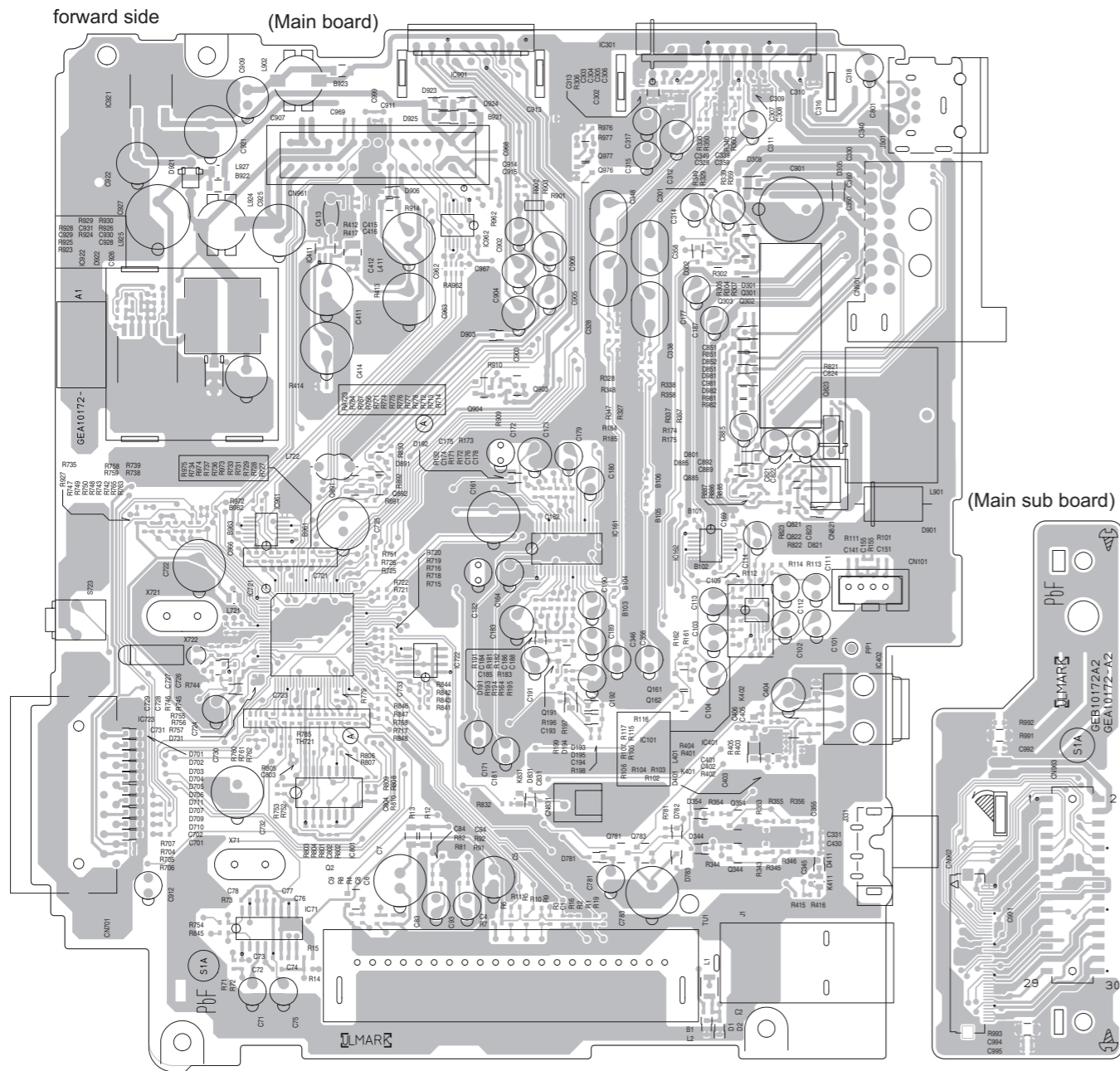
Lead free solder used in the board (material : Sn-Cu, melting point : 230 Centigrade)



■ **Main board (for KD-DVH426)**

Lead free solder used in the board (material : Sn-Ag-Cu, melting point : 219 Centigrade)

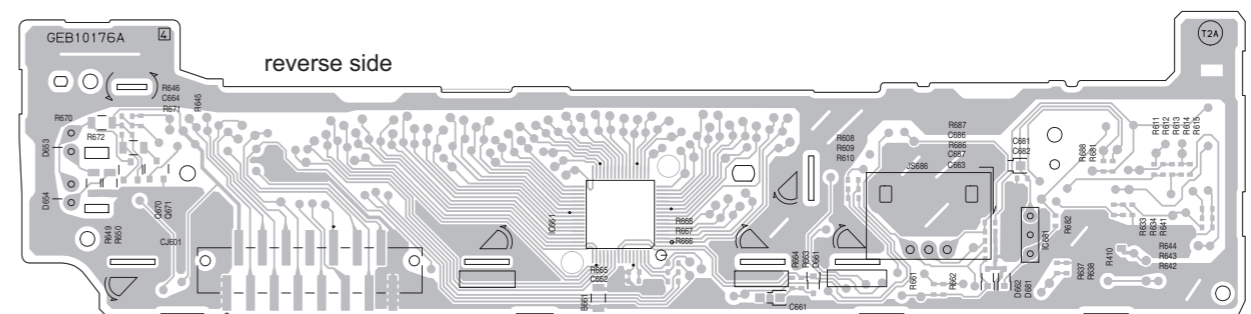
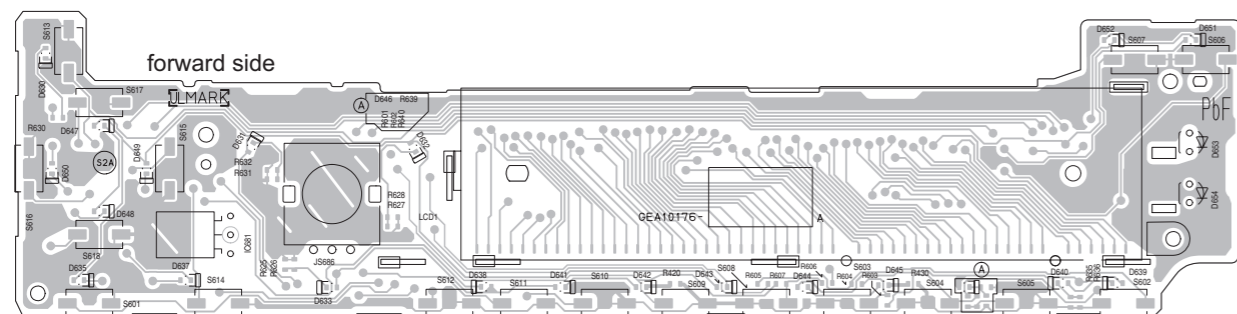
Lead free solder used in the board (material : Sn-Cu, melting point : 230 Centigrade)



■ **Switch board (for KD-DVH426)**

Lead free solder used in the board (material : Sn-Ag-Cu, melting point : 219 Centigrade)

Lead free solder used in the board (material : Sn-Cu, melting point : 230 Centigrade)

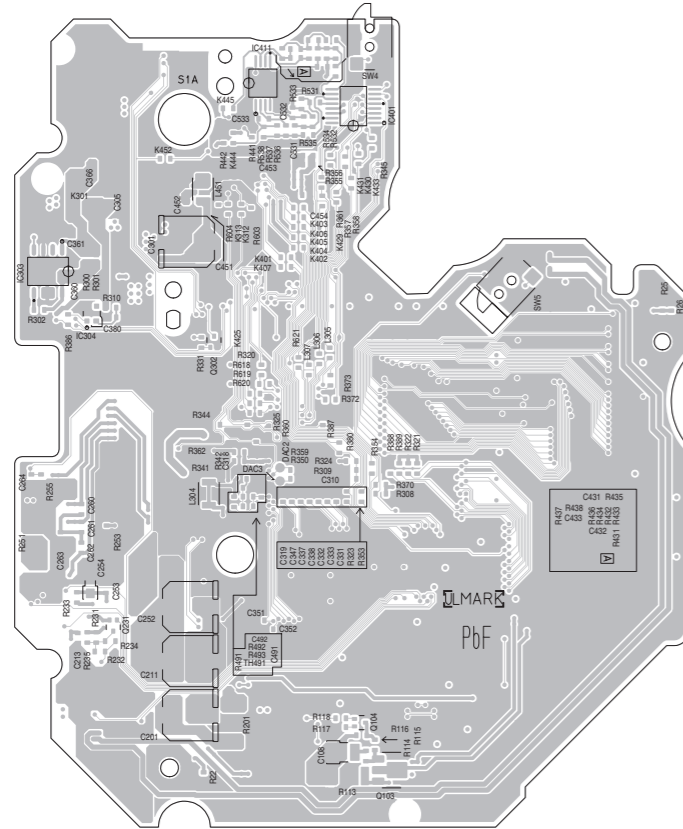


■ Front end board (except KD-DVH426)

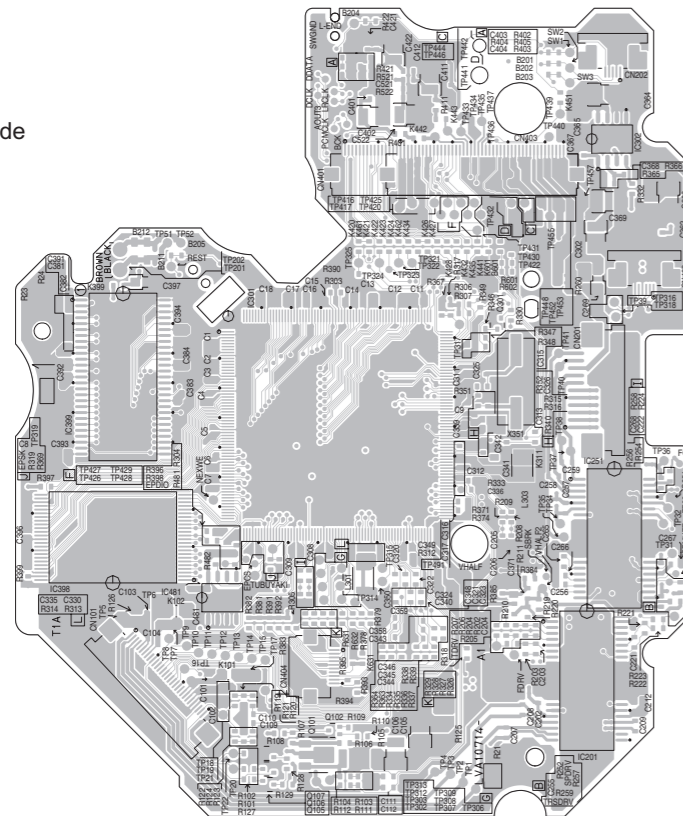
Lead free solder used in the board (material : Sn-Ag-Cu, melting point : 219 Centigrade)

Lead free solder used in the board (material : Sn-Cu, melting point : 230 Centigrade)

forward side



reverse side

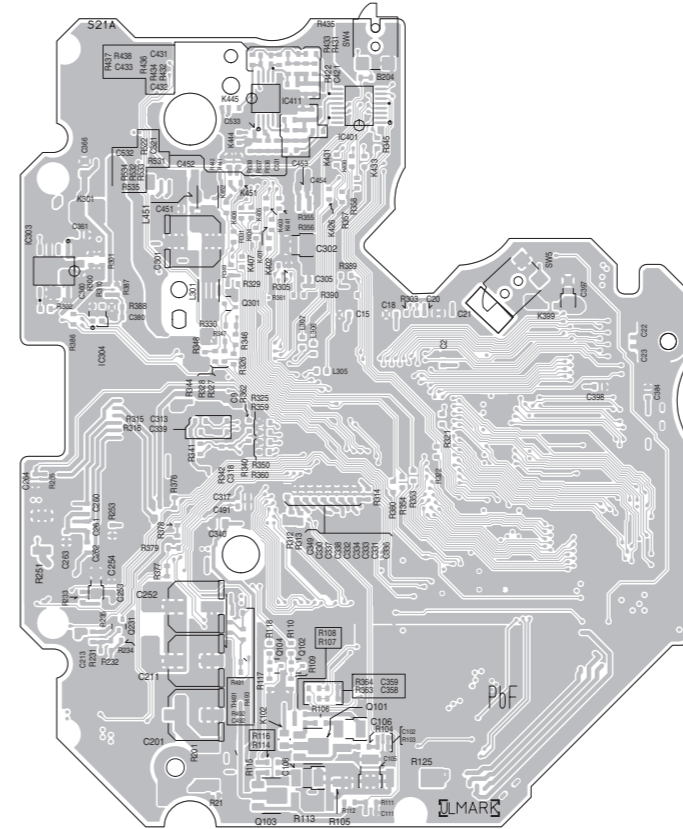


■ Front end board (for KD-DVH426)

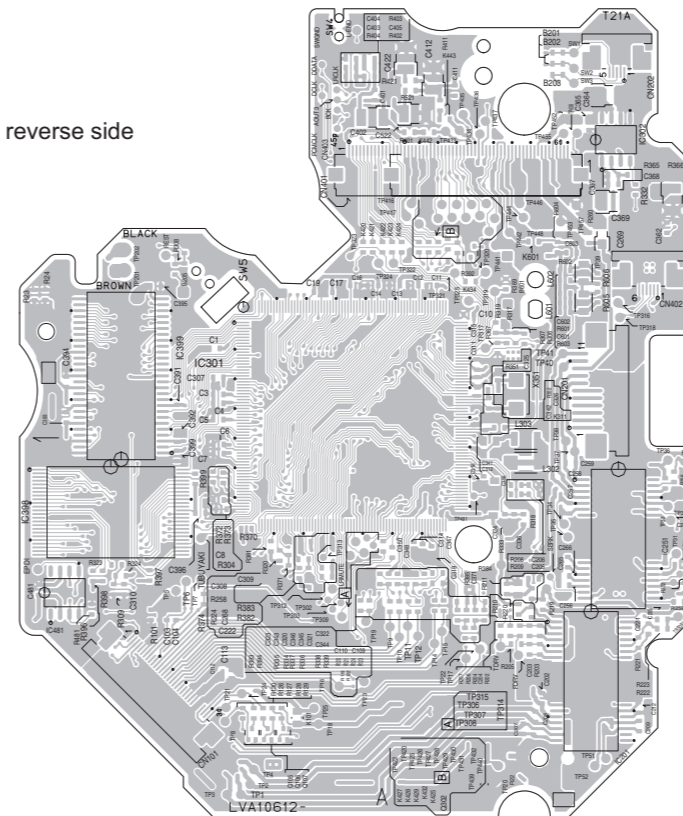
Lead free solder used in the board (material : Sn-Ag-Cu, melting point : 219 Centigrade)

Lead free solder used in the board (material : Sn-Cu, melting point : 230 Centigrade)

forward side



reverse side



< MEMO >

JVC

Victor Company of Japan, Limited

Mobile Entertainment Business Group Mobile Entertainment Category 10-1, 1chome, Ohwatari-machi, Maebashi-city, Gumma-ken, 371-8543, Japan

(No.MA308SCH)



Printed in Japan
VPT